

Quick install guide

X10 AC

115V/230V AC



LOCATION



SETTINGS TABLE



CAUTION!
ISOLATE POWER

Only qualified personnel may install, configure or repair this product.

Figure 1

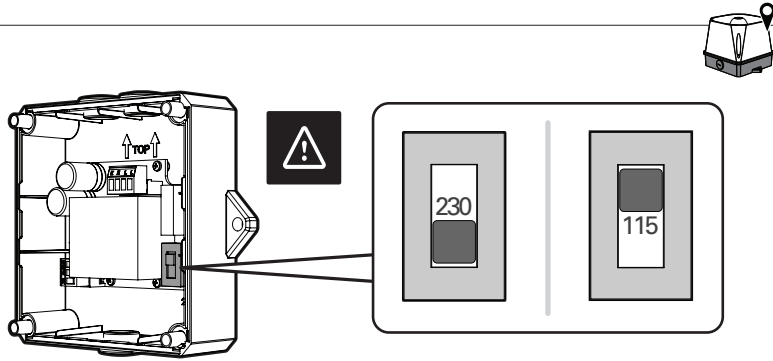


Figure 2

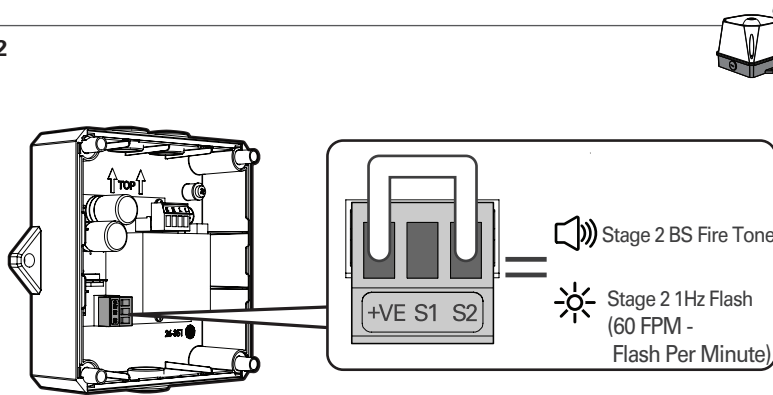


Figure 3

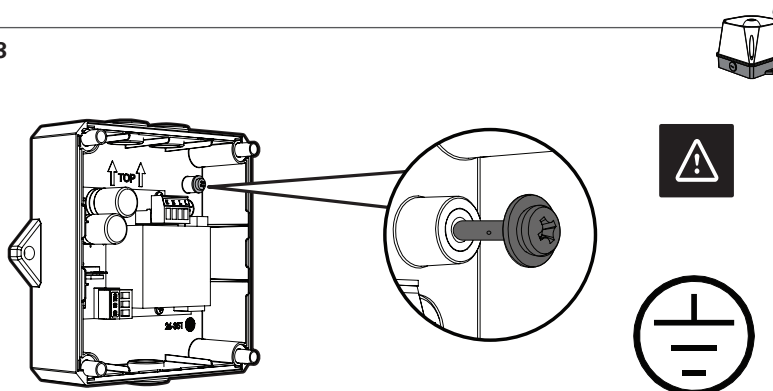


Figure 4

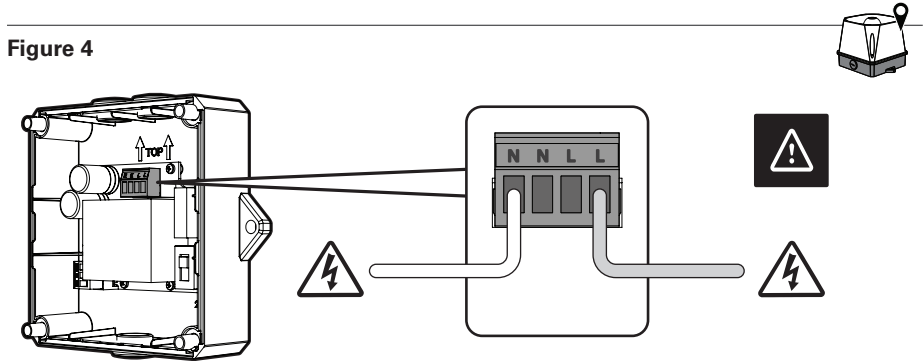
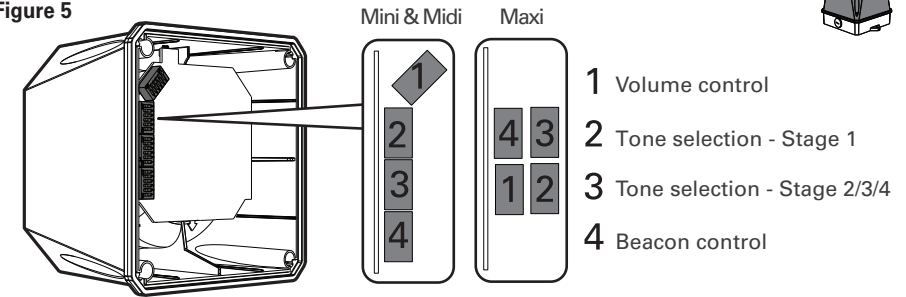
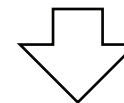


Figure 5



Factory Default Setting

	1	2	3	4
		TONESTAGE1	TONESTAGE2,3,4	BCNST1/2/3,4
	ON	ON	ON	ON
	1 2 3 4 5 6	1 2 3 4 5 6	1 2 3 4 5 6	1 2 3 4 5 6
Advanced Settings	Max Volume	Stage 1 Tone	Stage 2 BS Fire Tone	Beacon Pattern
Standard Mode 3 Stage	Immediate Start	BS Fire Tone	Stage 3 PFEER Toxic Gas	Stage 1 Off
Time out Disabled				Stage 2 1Hz Flash (60 FPM - Flash per Minute)
				Stage 3 Off



Quick install guide

X10 AC

115V/230V AC



LOCATION



SETTINGS TABLE



CAUTION!

ISOLATE POWER

Only qualified personnel may install, configure or repair this product.

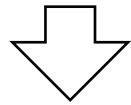


Figure 6

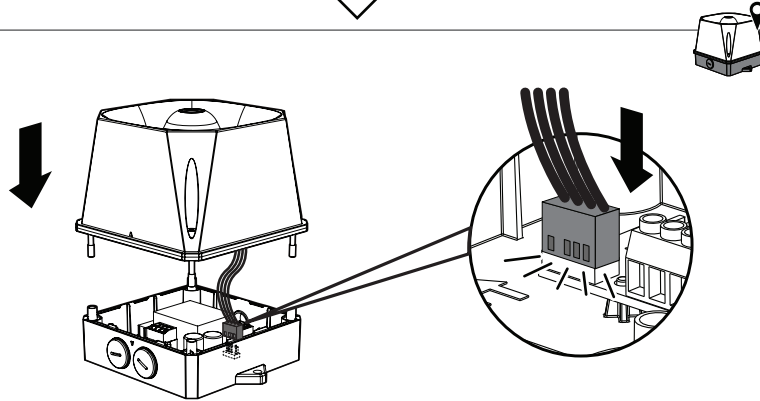
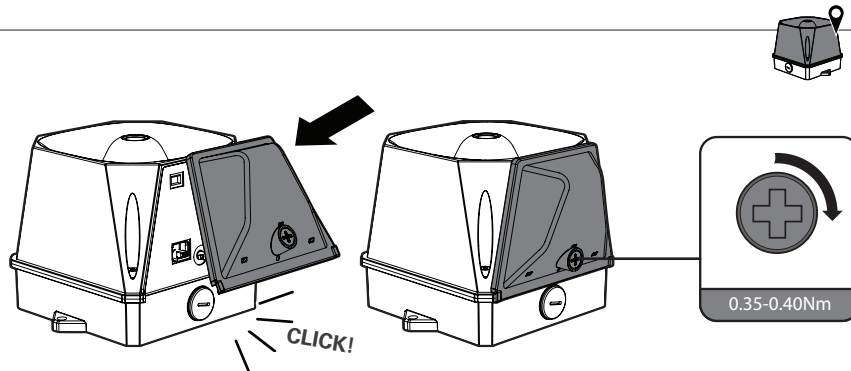
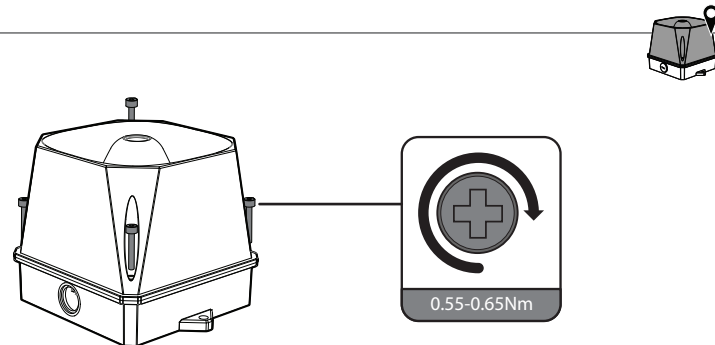


Figure 7



Default settings

SDR TONE	Stage 1 BS Fire Tone Stage 2 BS Fire Tone Stage 3 PFEER Toxic Gas
BEACON	Stage 1 Off Stage 2 1Hz Flash (60FPM - Flash Per Minute) Stage 3 Off
SPL	Max

Manual:

For more information on how to further adjust and setup the Eaton X10 please refer to the manual:

www.eaton.com/manuals/x10

Contact:

Technical support

Tel: +44 (0) 1633 628500

Email: FireCustomerService@eaton.com

Eaton Electrical Products
Llantarnam Park,
Cwmbran
NP44 3AW,
United Kingdom

© 2017 Eaton
All Rights Reserved

Eaton is a registered trademark.

All other trademarks are property of their respective owners.