

# Beacons

Solista LX Ceiling  
Australian Standard



The Solista LX Ceiling has a unique lens design that distributes the light in a cylindrical shape to achieve the required illumination specified by AS ISO7240.23:2014. Designed for installation at a height of up to 3m and with a discrete appearance, the device is ideal for a variety of applications, including bedrooms, bathrooms and toilets.

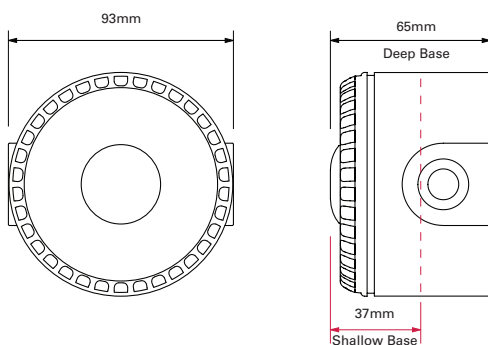
## Features

- Ultra low current consumption of 10mA
- Up to 7.5m coverage volume
- 0.5Hz or 1Hz Flash rate
- Coverage switch to 3m

## Benefits

- Use where current consumption is a key consideration
- Ideal for bedrooms, bathrooms and toilets
- Switch flash rate to 0.5Hz to reduce current consumption
- Reduces power consumption by up to 50%

## Dimensions



## Technical Specification

<b>Mounting Type</b>	Ceiling
<b>Voltage</b>	9 - 60VDC
<b>Current</b>	10 - 25mA dependent on setting
<b>Coverage (y)</b>	7.5m (Switchable to 3m)*
<b>Mounting Height (x)</b>	3m (max)
<b>Coverage Volume Code</b>	C-3-7.5
<b>Coverage Volume</b>	132m <sup>3</sup> (21m <sup>3</sup> )
<b>Flash Rate</b>	1Hz (Switchable to 0.5Hz)
<b>Operating Temperature</b>	-25°C to +70°C
<b>Monitoring</b>	Reverse Polarity
<b>Protection</b>	IP33C Shallow Base IP65 Deep and U Base
<b>Weight</b>	100g
<b>Body Colour</b>	White or Red
<b>Flash Colour</b>	White or Red

\* CNPP test results

## Catalogue Numbers

Reference	Cat No	Description
SOL-LX-C/RF/R1/S G2 AS	812027FULL-0315X	Solista LX Ceiling, Red Flash, Red Body, Shallow Base
SOL-LX-C/RF/W1/S G2 AS	812080FULL-0311X	Solista LX Ceiling, Red Flash, White Body, Shallow Base
SOL-LX-C/WF/R1/S G2 AS	812025FULL-0316X	Solista LX Ceiling, White Flash, Red Body, Shallow Base
SOL-LX-C/WF/W1/S G2 AS	812079FULL-0310X	Solista LX Ceiling, White Flash, White Body, Shallow Base