

Beacons

Solista LX Wall
Australian Standard



The Solista LX Wall is suitable for a variety of applications, available in a red or white body and compatible with the full range of Eaton sounder bayonet bases.

A patented lens design distributes light to achieve the required illumination specified by AS ISO7240.23:2014, whilst using minimum current consumption.

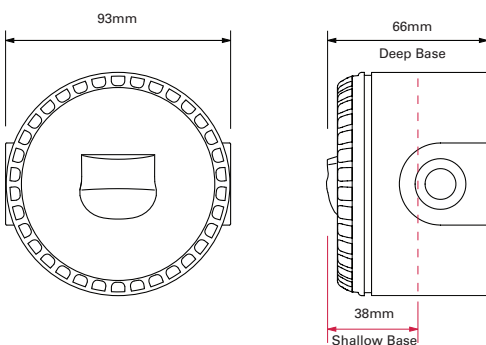
Features

- Ultra low current consumption of 10mA
- Up to 7.5m room coverage
- 0.5Hz or 1Hz flash rate
- Coverage switch to 2.5m

Benefits

- Use where current consumption is a key consideration
- Ideal for bedrooms, bathrooms and toilets
- Switch flash rate to 0.5Hz to reduce current consumption
- Reduces power consumption by up to 50%

Dimensions



Technical Specification

Mounting Type	Wall
Voltage	9 - 60VDC
Current	10 - 25mA dependent on setting
Coverage (y)	7.5m (Switchable to 2.5m)*
Mounting Height (x)	2.4m (max)
Coverage Volume Code	W-2.4-7.5
Coverage Volume	135m ³ (15m ³)
Flash Rate	1Hz (Switchable to 0.5Hz)
Operating Temperature	-25°C to +70°C
Monitoring	Reverse Polarity
Protection	IP33C Shallow Base IP65 Deep and U Base
Weight	100g
Body Colour	White or Red
Flash Colour	White or Red

* CNPP test results

Solista LX Wall White



Catalogue Numbers

Reference	Cat No	Description
SOL-LX-W/RF/R1/S G2 AS	812078FULL-0309X	Solista LX Wall, Red Flash, Red Body, Shallow Base
SOL-LX-W/RF/W1/S G2 AS	812015FULL-0312X	Solista LX Wall, Red Flash, White Body, Shallow Base
SOL-LX-W/WF/R1/S G2 AS	812007FULL-0313X	Solista LX Wall, White Flash, Red Body, Shallow Base
SOL-LX-W/WF/W1/S G2 AS	812010FULL-0314X	Solista LX Wall, White Flash, White Body, Shallow Base