

Beacons

Solex LED - Overview & technical specifications

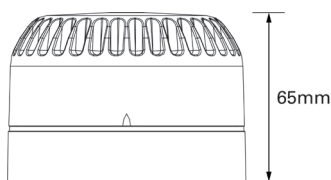
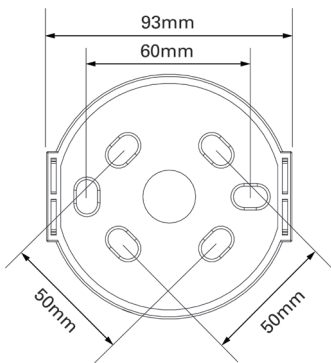


Solex LED industrial beacon is a flexible, multifunction evolution of Eaton's proven Solex xenon beacon certified to IK08 and IP65, and with enhanced EMC compliance. Extended duration single, double and triple flash options – plus a unique 'pulse' – are quickly wired in situ. It also delivers longevity, its LEDs and impact-resistant polycarbonate lens offering years of sustainable service.

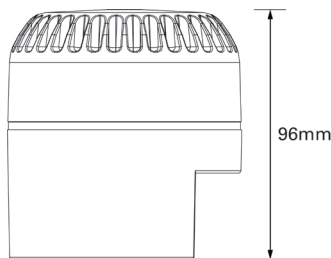
Ideal for both heavy industrial environments, such as aggregate production, and light manufacturing facilities, the Solex LED modular design can be used in diverse applications that, for example, require traffic light style signalling and, when used on a double or triple base can incorporate the RoLP sounder as an additional means of notification.

Features and benefits

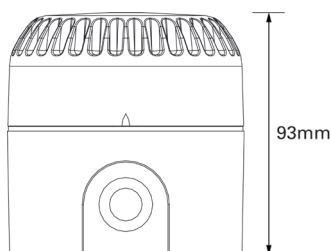
- Rated for continuous use
- IK08 impact rating, IP65 ingress protection
- Multi-function flash including pulse (1Hz, 2Hz, On, Double flash, Triple flash, Pulse)
- Choice of colour lenses (Red, Amber, Green, Blue, Clear)
- 9-60 V DC / 24V AC / 110-240V AC – 110mA @ 24V DC
- EMC light industrial & heavy industrial. Suitable for DC distribution networks.
- Modular beacon compatible with other bases in the Eaton Roshni range



Shallow base



U - base



Deep base

Technical specification

Model:	Solex LED		
Supply voltage	9-60V DC	24V AC	110-240V AC
Current	110 mA (@ 24 V DC) +/- 10%		
Operating temperature	-25°C ~ +55°C	-25°C ~ +55°C	-10°C ~ +55°C
Cable size / type	0.75 to 2.5mm ²		
IK rating	IK08		
IP rating	IP21C / IP65		

Flash rate	1Hz Flash (60 FPM), 2Hz Flash (120 FPM) Constantly On, 1Hz Double Flash 1Hz Triple Flash, 1Hz Pulse Note: If 24V AC is used, only the 1Hz flash is available
------------	--

Maximum effective luminous intensity (leff)	*White flash 40cd *Red flash 7cd
Monitoring	Anti-tamper trigger
Construction	PC lens / ABS FR housing
Lens colours	Red / Clear / Amber / Green / Blue
Weight	0.1kg

*Candela - On 60Hz flash setting

Order codes

Description	Model reference	Order code
White shallow base with beacon		
Solex LED beacon, Red lens, Shallow white (FW) base	SO/LED/R/SW	531057FULL-1130X
Solex LED beacon, Amber lens, Shallow white (FW) base	SO/LED/A/SW	531058FULL-1131X
Solex LED beacon, Clear lens, Shallow white (FW) base	SO/LED/C/SW	531059FULL-1132X
Solex LED beacon, Blue lens, Shallow white (FW) base	SO/LED/B/SW	531060FULL-1133X
Solex LED beacon, Green lens, Shallow white (FW) base	SO/LED/G/SW	531061FULL-1134X
White deep base with beacon		
Solex LED beacon, Red lens, U white (FW) base	SO/LED/R/UW	531067FULL-1140X
Solex LED beacon, Amber lens, U white (FW) base	SO/LED/A/UW	531068FULL-1141X
Solex LED beacon, Clear lens, U white (FW) base	SO/LED/C/UW	531069FULL-1142X
Solex LED beacon, Blue lens, U white (FW) base	SO/LED/B/UW	531070FULL-1143X
Solex LED beacon, Green lens, U white (FW) base	SO/LED/G/UW	531071FULL-1144X
Beacon only		
Solex LED beacon, Red lens, No base	SO/LED/R/NB	531072FULL-1145X
Solex LED beacon, Amber lens, No base	SO/LED/A/NB	531073FULL-1146X
Solex LED beacon, Clear lens, No base	SO/LED/C/NB	531074FULL-1147X
Solex LED beacon, Blue lens, No base	SO/LED/B/NB	531075FULL-1148X
Solex LED beacon, Green lens, No base	SO/LED/G/NB	531076FULL-1149X
Red base variants with red beacon		
Solex LED beacon, Red lens, Shallow red base	SO/LED/R/SR	531077FULL-1150X
Solex LED beacon, Red lens, Deep red base	SO/LED/R/DR	531078FULL-1151X
Solex LED beacon, Red lens, U red base	SO/LED/R/UR	531079FULL-1152X
Solex LED beacon, Red lens, Shallow red base, Anti-Tamper	SO/LED/R/SR/AT	531080FULL-1153X
Mains module - white deep base with beacon		
Solex LED beacon, Red lens, Deep white (FW) base, Mains module	SO/LED/R/DW/110-240V AC	531081FULL-1154X
Solex LED beacon, Amber lens, Deep white (FW) base, Mains module	SO/LED/A/DW/110-240V AC	531082FULL-1155X
Solex LED beacon, Clear lens, Deep white (FW) base, Mains module	SO/LED/C/DW/110-240V AC	531083FULL-1156X
Solex LED beacon, Blue lens, Deep white (FW) base, Mains module	SO/LED/B/DW/110-240V AC	531084FULL-1157X
Solex LED beacon, Green lens, Deep white (FW) base, Mains module	SO/LED/G/DW/110-240V AC	531085FULL-1158X
Mains module - red deep base with beacon		
Solex LED beacon, Red lens, Deep red base, Mains module	SO/LED/R/DR/110-240V AC	531086FULL-1159X
Roshni range bases		
Roshni base, Combi deep white (FW) base x2, with locking screw	CB/2/W COMBI DOUBLE DEEP BASE WHITE	593010FULL-0323
Roshni base, Combi deep white (FW) base x3, with locking screw	CB/3/W COMBI TRIPLE DEEP BASE WHITE	593011FULL-0324
Roshni base, Combi deep white (FW) base x4, with locking screw	CB/4/W COMBI QUAD DEEP BASE WHITE	593012FULL-0325