

IP67 WEATHER PROOF CALL POINT INSTALLATION DETAILS

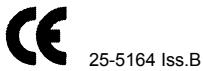
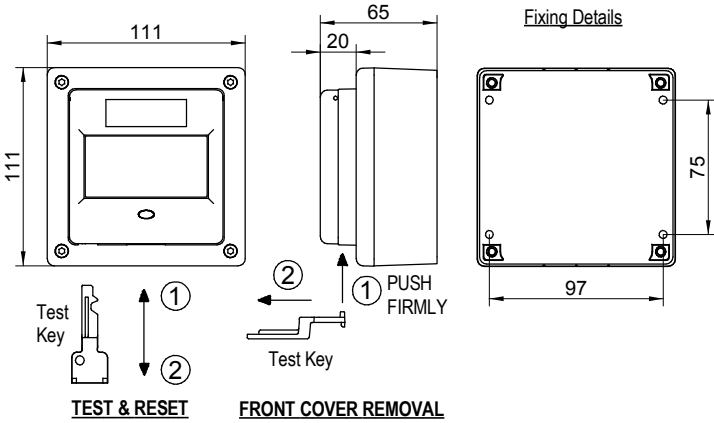
The IP67 weather proof call point is suitable for use outside. There are drill positions marked on the top and bottom of the IP67 back box for cable glands. - max. dia.20mm

ELECTRICAL DETAILS

MODEL	STANDARD	LED	NO	CO
CONFIGURATION	Normally Open	Normally Open	Normally Open	Change Over
RATING	30Vdc max (470R resistor)		24Vdc 3A 250Vac 3A	
TERMINALS	IN & OUT terminals for cables 0.28mm ² ~ 2.5mm ² For connection details see label on Call Point			

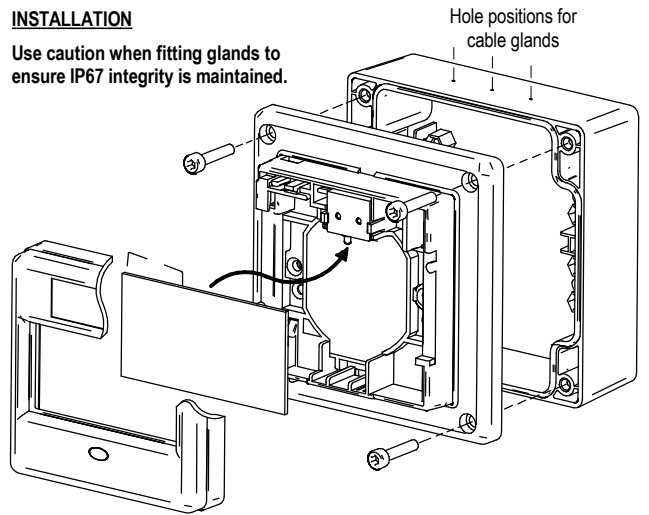
MECHANICAL DETAILS

IP Rating : IP67: Suitable for outdoor Use
 Temperature range : -20°C to +70°C
 Material : ABS Plastic



INSTALLATION

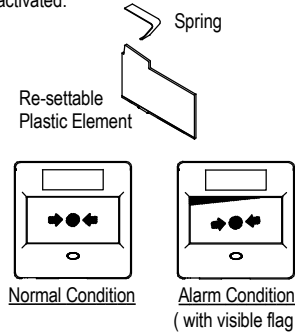
Use caution when fitting glands to ensure IP67 integrity is maintained.



ACCESSORIES

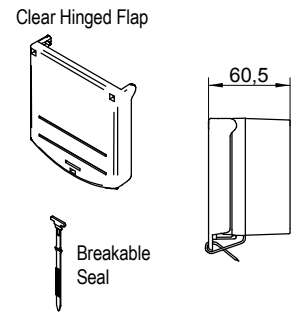
RE-SETTABLE PLASTIC ELEMENT

The re-settable plastic element and spring replaces the glass element. When the re-settable element is pushed, a visible flag will appear indicating the call point has been activated.



CLEAR HINGED FLAP & BREAKABLE SEAL

The Clear Hinged Flap gives extra protection from accidental operation. With the Breakable Seal fitted, the Clear Hinged Flap can not be lifted without breaking the seal.



KEY SWITCH CALL POINT INSTALLATION DETAILS

The Key Switch call point comes complete with a back box onto which the call point is mounted. There is provision for rear cable entry, and by using the template below (fig.1), cable holes can be drilled into the top or bottom of the back box to accept one (A) or two (B) cable glands - max. dia.20mm

ELECTRICAL DETAILS

MODEL	2-Position Switch	3-Position Switch
CONFIGURATION	2 x single pole	2 x single pole
RATING	24Vdc 10A 250Vac 10A	
TERMINALS	Flying Leads	

CONTACT ARRANGEMENTS

2 - Position Switch

a b
on | 1/2 off | off | 1/2 on



3 - Position Switch

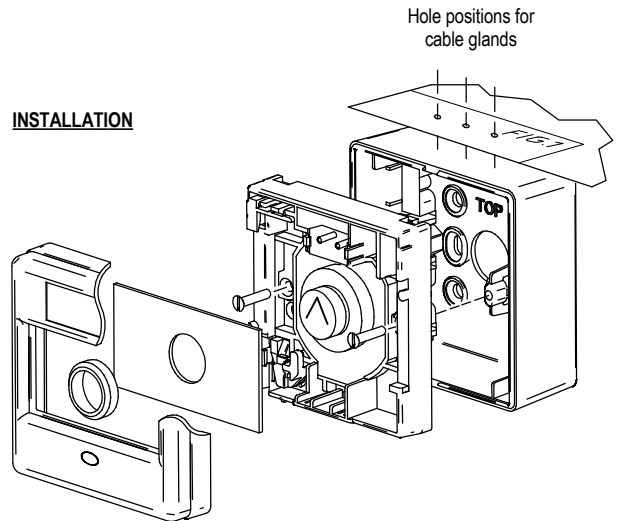
a b a b a b
on | 1/2 off | off | 1/2 off | off | 1/2 on



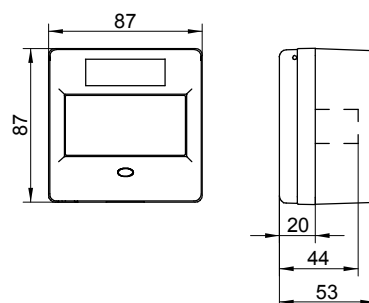
MECHANICAL DETAILS

IP Rating : Suitable for internal Use
 Temperature range : -10°C to +55°C
 Material : ABS Plastic

INSTALLATION



DIMENSIONS



FLY LEAD WIRING

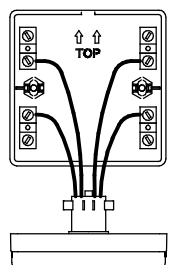


FIG.1

