

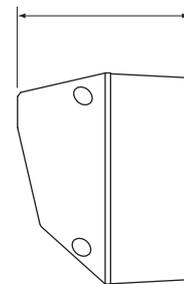
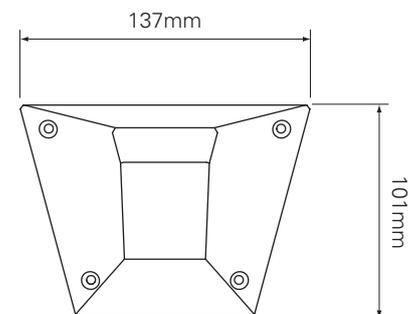
Asserta Beacon

The distinctive shape of this industrial beacon and its robust construction are combined with highly efficient control of the light output to give a performance normally associated with much more powerful units. Available with different voltage supply for added versatility.



Technical Specification

Range	10 - 30Vdc 230Vac
Current	250mA @ 24Vdc 15mA @ 230Vac
Flash Power	3.6j (dc version) 2.0j (ac version)
Flash Rate	1Hz (adjustable on 24Vdc)
Monitoring	Reverse polarity (dc version)
Temperature	- 25°C to + 70°C
Protection	IP66
Construction	ABS,PC
Weight	0.3Kg
Body Colour	Red
Lens Colours	Red, amber, blue or clear



Features

- Xenon beacon matching the Asserta range of sounders
- IP66 protection
- Adjustable flash rate (24Vdc version)
- Asymmetric light output

Benefits

- A robust beacon complementing the Asserta industrial products
- Suitable for external use
- Provides extra differentiation between alarm events
- Lens is designed to optimise light output for maximum visibility

Reference

AS/B/230/RL
AS/B/24/RL
AS/B/24/BL

Catalogue No.

7032131FUL-0002
7031131FUL-0001
7092298FULL-0244

Description

Asserta Beacon, 230Vac, Red Lens
Asserta Beacon, 24Vdc, Red Lens
Asserta Beacon, 24Vdc, Blue Lens