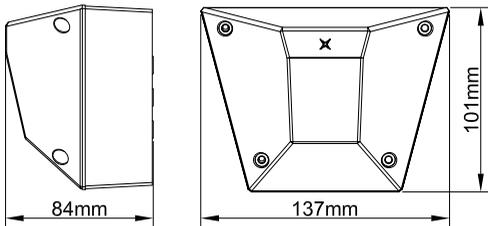


## Specification

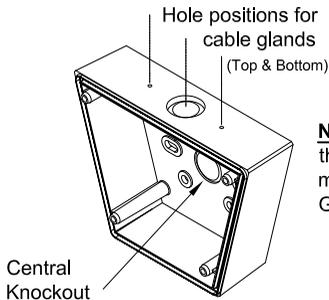
Operating Voltage Range	10 - 30V DC
Current Consumption	See Beacon settings
Operating Temperature	-25°C to +75°C
Monitoring mode	Polarity Reversal
Construction	ABS/Polycarbonate FR Plastic
Termination	Screw terminals for 0.28mm <sup>2</sup> to 2.5mm <sup>2</sup> conductor

## Dimensions



## 1. Installation

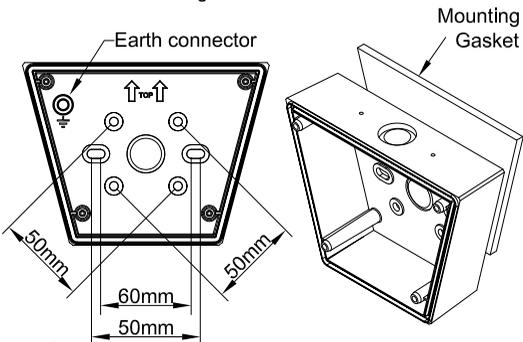
Knockout or drill the required gland holes, and fit cable glands.



**NOTE:** Ensure that the IP integrity is maintained during Gland Fitting.

## 2. Fixing Details

Knockout desired fixing holes, fix base to wall or BESA box. Ensure that the gasket is used.



## 3. Beacon settings



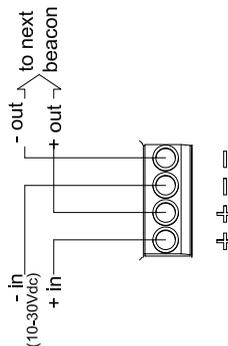
1 = Closed

0 = Open

Set DIL switch to required setting. (Table shown below)

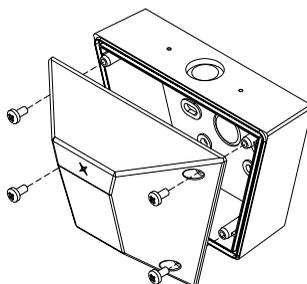
Switch 1	Switch 2	Flash Rate	Current 30V - 10V
open	open	45/min	130-380mA
closed	open	60/min	200-610mA
open	closed	85/min	200-550mA
closed	closed	120/min	240-680mA

## 4. Connection Details



## 5. Beacon Assembly

Fix the beacon to the base with the screws provided. (Do not over tighten)



**WARNING:** High voltage present within this equipment.

Do not remove cover, refer servicing to qualified personnel.