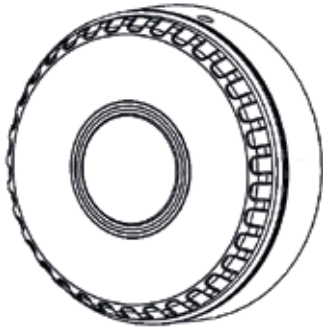


# Addressable Ceiling VAD



Ceiling VAD  
Type A (IP21C)



EN54-17:2005 Short Circuit Isolators  
EN54-23:2010 Fire Alarm Devices  
Visual Alarm Device VAD



19 - 30Vdc



Type A=-10 to +55°C (95%RH)



3 (max)



0.5Hz or 1Hz



ABS FR Plastic



Type A= IP21C



1.35W (max power)



0.5Hz or 1Hz



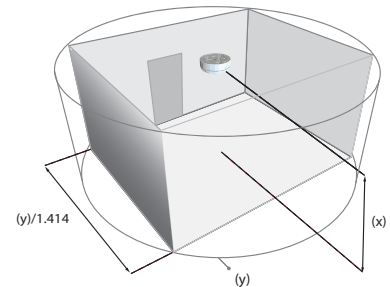
0.5~2.5mm<sup>2</sup> / FIRETUF, FP200 or MICC

|                         | *2 Red LED variants |        | *1 White LED variants |        |
|-------------------------|---------------------|--------|-----------------------|--------|
| Flash Power             | High                | Low    | High                  | Low    |
| Height (x)              | 3.0                 | 3.0    | 3.0                   | 3.0    |
| Coverage (y)            | 7.5                 | 2.5    | 7.5                   | 2.5    |
| Coverage m <sup>3</sup> | 132.54              | 14.73  | 132.54                | 14.73  |
| Current @ 1Hz           | 38.0mA              | 30.5mA | 45.0mA                | 35.0mA |
| Current @ 0.5Hz         | 30.5mA              | 12.5mA | 35.0mA                | 14.0mA |
| Power (max) @ 1Hz       | 1.14W               | 0.915W | 1.35W                 | 1.05W  |
| Power (max) @ 0.5Hz     | 0.915W              | 0.375W | 1.05W                 | 0.42W  |

## Short Circuit Isolation Data (Integral with each Sounder Beacon)

|  |                      |
|--|----------------------|
| Total Loop Resistance for correct operation of short circuit isolator              | 50Ω (max)            |
| Parallel Fault Resistance to be seen at the Control Panel for isolators to be open | 200Ω (typ)           |
| Continuous Current allowable through isolator                                      | 1A (IC max)          |
| Leakage Current into direct short circuit with isolator open                       | 0.26Ω (max)          |
| Maximum leakage current in the isolated state                                      | 14mA @30V            |
| Voltage at which isolator changes from open to closed state                        | 11V (max) 3.8V (min) |
| Voltage at which isolator changes from closed to open state                        | 16V (max) 13V (min)  |
| Maximum switching current of isolator  | 1.3A                 |

Signal protocol specified in PR200-07-400-11



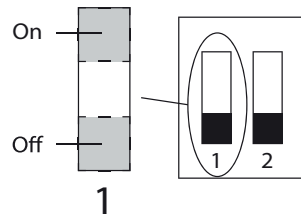
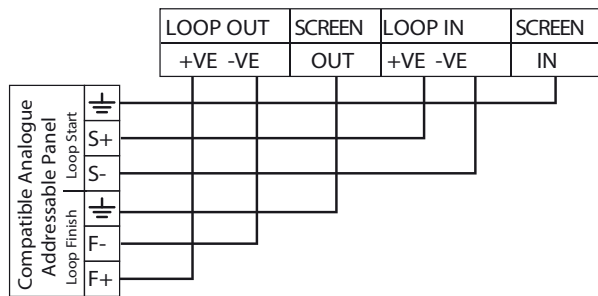
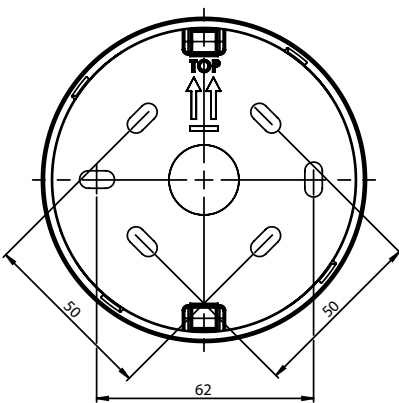
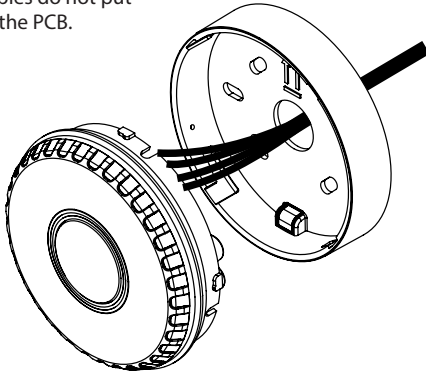
Ceiling Mounted C-x-y

**EATON**

Powering Business Worldwide



- (i) Rotate sounder onto base.
- (ii) Ensure cables do not put stress on the PCB.



- (i) Do NOT use high voltage testers if ANY equipment is connected to the system.
- (ii) Screen must be continuous along length of loop.

- 1. Flash Rate: ON = 1Hz, OFF = 0.5Hz
- 2. Flash Power: ON = High Power, OFF = Low Power

**Manufactured By**  
**Eaton Electrical Systems Ltd,**  
 Wheatley Hall Road, Doncaster, DN2 4NB  
 Tel: +44 (0)1302 303 350  
 Fax: +44 (0)1302 303 220  
 firetechsupport@eaton.com  
 www.cooperfire.com  
 www.eaton.com  
 Made in the UK

**Eaton Industries Manufacturing GmbH**  
 Electrical Sector EMEA  
 Route de la Longeraie 7  
 1110 Morges, Switzerland  
 Eaton.eu

© 2017 Eaton All rights reserved.