

FC6 & FC18

Fan Controller Unit



The fan controller units, FC18 and FC6, are designed to work with the Eaton's range of intelligent addressable control panels, providing the capability to control and display the status of AHU fans.

The FC18 and FC6 are connected to an Eaton intelligent addressable control panel by means of the comms loop, utilizing only one address whilst providing the ability to monitor and control up to 18/6 AHU fans.

Each FC18 and FC6 unit incorporates its own CPU specifically configured to control the relevant input and output logic making programming quick and easy via Eaton site installer software.

Using site installer software, each individual fan control channel is programmed to an output and feedback input field device to control and monitor the status of an AHU fan.

Upgraded for 2017 to be compatible with new Smoke Management protocols. Both FC6 and FC18 are ideal for use in conjunction with updated CF3000 panels and the new MCOM-FC interface module.

Features

- Soft addressed
- Integral short circuit isolator
- Single address
- Designed to operate in conjunction with the technical I/O unit (CFC301)
- Comprehensive LED display
- Surface or rack mounting
- Key operated auto/manual operation
- Comprehensive cause and effect software
- Controls:
 - FC6 up to 6 fans
 - FC18 up to 18 fans
- Automatic or manual operation

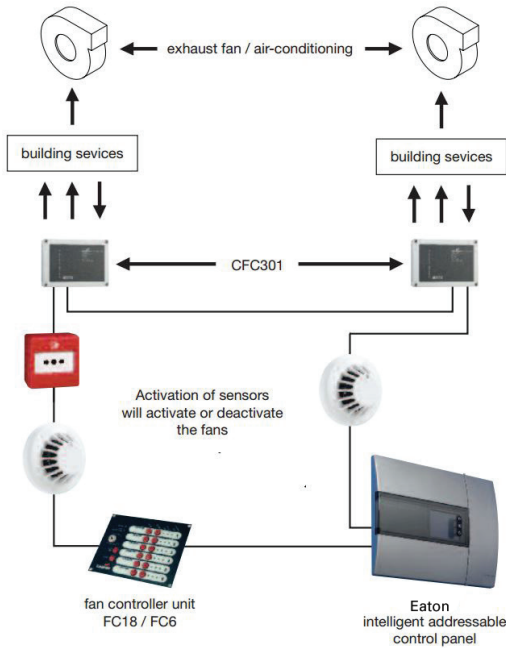
Benefits

- Quick and simple to install
- No hard addressing required (Plug and play)
- Control and feedback in one unit
- Cost effective installation solution

Technical Specification

Code	FC18	FC6 / FC6-AU
Description	Fan Controller Unit, Rack Mount	Fan Controller Unit, Surface Mount
Specification		
External 24V Supply	18V dc to 24V dc	18V dc to 24V dc
External Current	150mA	150mA
Quiescent Current	310µA (nom)	310µA (nom)
Environmental		
Operating Temperature	-10°C to +60°C	-10°C to +60°C
Humidity (Non Condensing)	0 to 95% RH	0 to 95% RH
Physical		
Dimensions (H x W x D)	133mm x 482mm x 30mm	125mm x 155mm x 42mm
Compatibility		
Suitable for use with	Eaton Intelligent Addressable Fire Systems	Eaton Intelligent Addressable Fire Systems

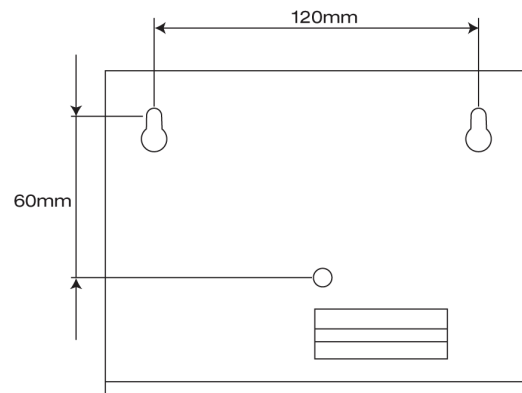
Typical System Architecture



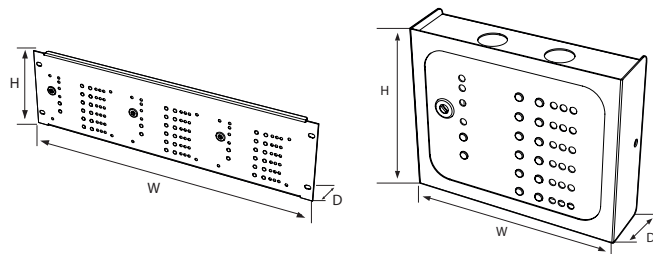
Mounting Details

The FC18 is designed to be rack mounted.
The FC6 is designed to be surface mounted.
The FC6-AU is supplied un-mounted.

FC6 - Fixing Centres



Dimensions



Description	H (mm)	W (mm)	D (mm)
FC6 (Right)	125	155	42
FC18 (Left)	133	482	30

Catalogue numbers

Description	Code
Fan Controller Unit (surface mount)	FC6
Fan Controller Unit (rack mount)	FC18
Fan Controller Unit (Australia standard - supplied w/o back box)	FC6-AU