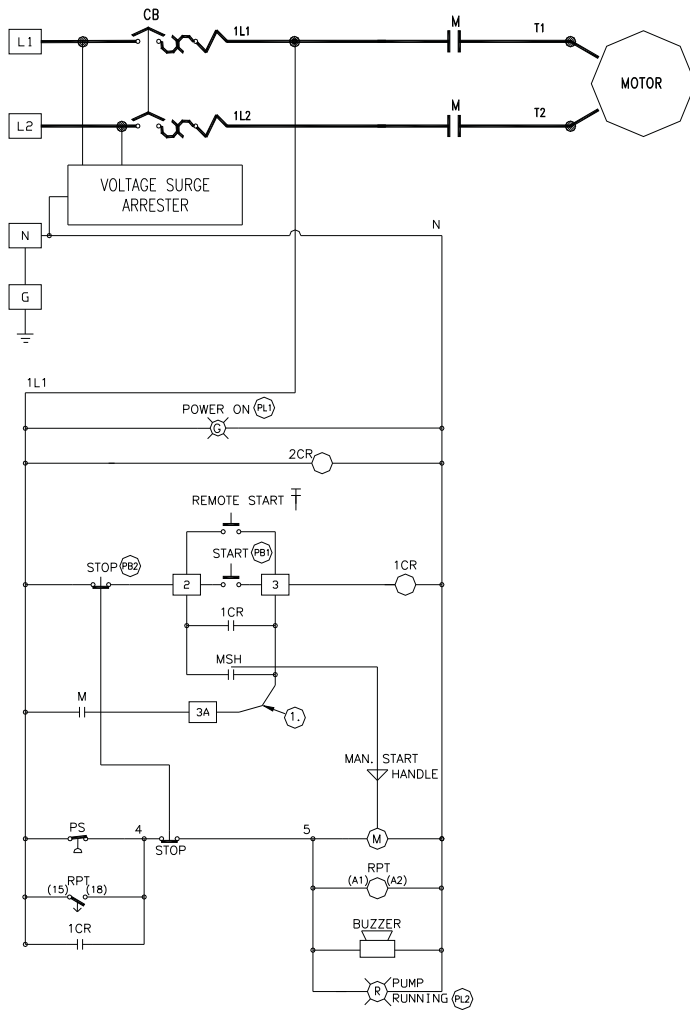


Electrical Wiring Schematic



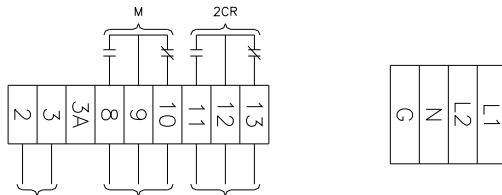
LEGEND:

- M-RUN CONTACTOR
- 1CR-MANUAL CONTROL RELAY
- 2CR-POWER FAILURE RELAY
- PS-PRESSURE SWITCH
- CB-CIRCUIT BREAKER
- STOP-LOCAL STOP SWITCH
- START-LOCAL START SWITCH
- MSH-MANUAL START HANDLE (AUX. CONTACT)
- RPT-RUN PERIOD TIMER

NOTES:

1. ADD JUMPER TO CONVERT TO SEMI-AUTOMATIC.
2. ALL RELAY CONTACTS SHOWN IN NO POWER CONDITION.
3. FOR CUSTOMER REMOTE START, CONNECT DRY CONTACT BETWEEN TERMINALS 2 & 3.
4. SERVICE ENTRANCE EQUIPMENT. (DOES NOT MEET CSA SERVICE ENTRANCE REQUIREMENTS)

† - EXTERNAL EQUIPMENT



N. Y. C. APPROVED

