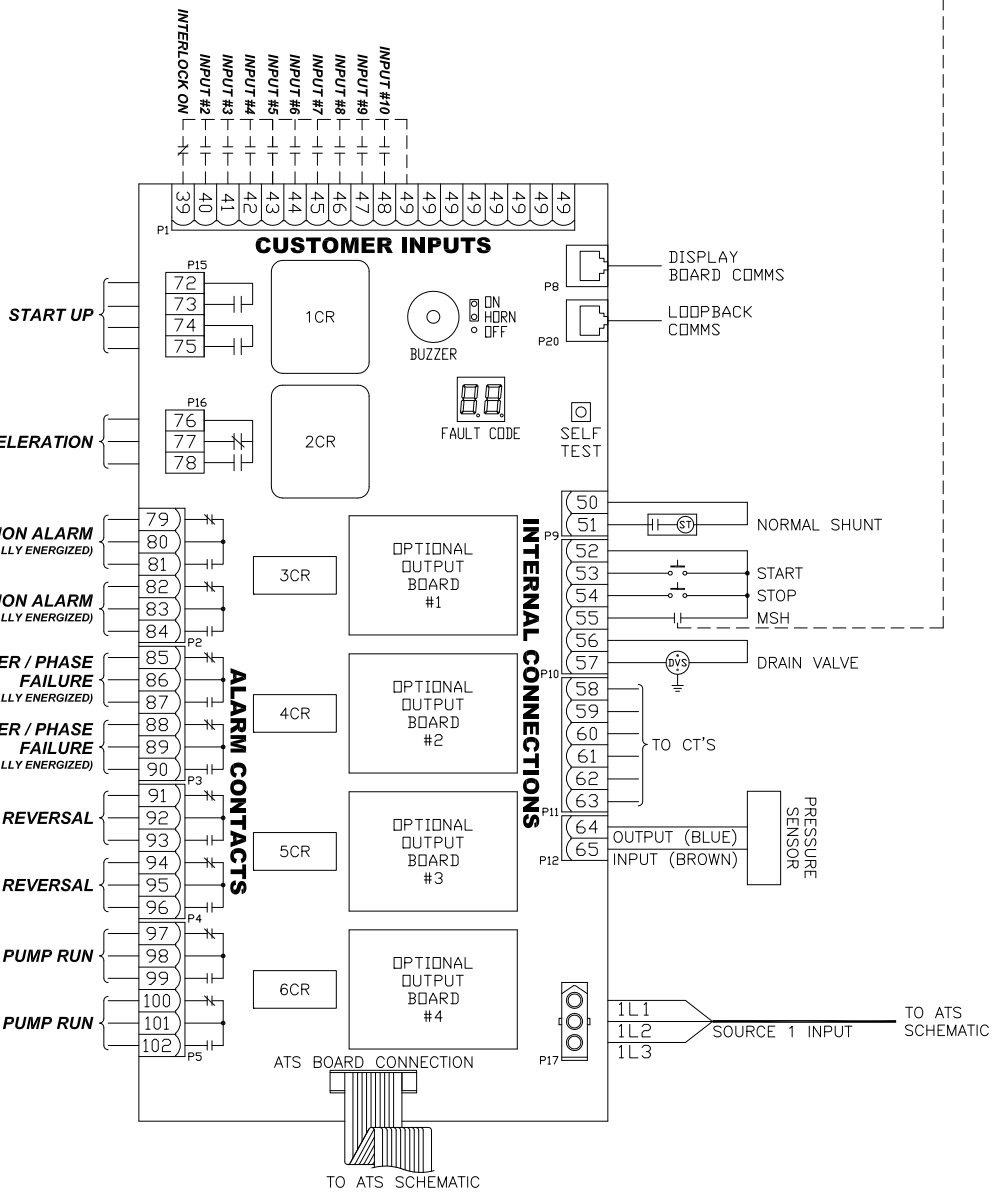


NOTES:
 1. POWER/PHASE FAILURE AND COMMON ALARM RELAYS ARE ENERGIZED UNDER NORMAL CONDITIONS.
 2. ALL RELAY CONTACTS ARE SHOWN IN NO POWER CONDITION.

LEGEND:
 1M - START CONTACTOR
 1S - WYE POINT CONTACTOR
 2M - RUN CONTACTOR
 CB - CIRCUIT BREAKER
 CT - CURRENT TRANSFORMER
 MIS - MAIN ISOLATING SWITCH
 MSH - MANUAL START HANDLE (EMERGENCY) MICRO SWITCH



THE INFORMATION ON THIS DOCUMENT IS CREATED BY EATON. IT IS DISCLOSED IN CONFIDENCE AND IS ONLY TO BE USED FOR THE PURPOSE IN WHICH IT IS SUPPLIED.
 LES RENSEIGNEMENTS C-DESSUS ONT ÉTÉ ÉLABORÉS PAR EATON, ILS VOUS SONT DIVULGUÉS EN TOUTE CONFIDANCE ET LEUR UTILISATION SE LIMITE AUX SEULES FINS POUR LESQUELLES ILS VOUS SONT TRANSMIS.

REVISION	DATE	DRAWING NO.
001	09/25/18	CE16492H14