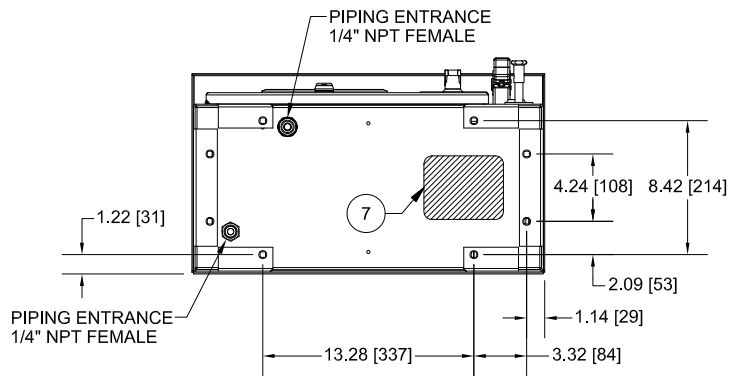


- 1 - EPCT TOUCHSCREEN
- 2 - EXTERNAL USB PORT
- 3 - MAIN POWER SWITCH
- 4 - START PUSHBUTTON
- 5 - STOP PUSHBUTTON
- 6 - MSH (EMERGENCY START HANDLE)
- 7 - RECOMMENDED CABLE ACCESS (BOTTOM ONLY)

NOTES:
 1 - DIMENSIONS: in [mm]
 2 - ALL ENCLOSURES FINISHED IN RED
 3 - STANDARD ENCLOSURE: TYPE (NEMA) 2



| Motor HP | Line voltage | Withstand rating | | | Approximate weight Lbs. (Kg) |
|----------|--------------|------------------|--------------|---------|---------------------------------|
| | | Standard | Intermediate | High | |
| 5 - 40 | 200 - 208V | 100,000 | 150,000 | 200,000 | 180 (81) |
| 5 - 50 | 220 - 240V | | | | |
| 5 - 75 | 380 - 415V | | | | |
| 5 - 100 | 440 - 480V | | | | |
| 5 - 100 | 550 - 600V | 25,000 | 100,000 | | |