

Pressure switch based jockey pump controller





Product description

Across the line

Jockey pump controllers

The JOCKEY Lite - Jockey Pump Controllers operate across-the-line. Full voltage is applied to the motor for starting by the use of a single motor starter. Starting inrush current is approximately 600% of rated full load amperes.

Product features

Combination Motor Controllers - All JOCKEY Lite controllers are supplied with EATON combination motor controllers, which combine the circuit breaker and overload in one device.



Sealed rotary handle

Mechanism

The rotary handle mechanism can be padlocked in the OFF position. The rotary handle mechanism does not allow the door to be opened when turned to the ON position.

XT Power controls

The JOCKEY Touch - Jockey Pump Controllers incorporate Eaton's XT Power Controls which are designed for the global marketplace. The XT controls carry global ratings, are small in size and are available in a wide variety of operating

voltages. They are easy to install and maintain, due to their modular, plug-in design.

120V Control power transformer

All JOCKEY Lite pump controllers are wired with a 120V control power transformer as standard.

NEMA 2 enclosures

Enclosures have an oven baked powder paint finish and are supplied with NEMA 2 rating, unless otherwise ordered. Available options include: NEMA 3R, 3, 4, 4X, 12.

Starting methods

There are two methods of starting the controller: Auto and Hand.

Dual Setting Pressure Switch

A dual setting 15-290 PSI pressure switch is used to sense a drop in pressure which actuates the jockey pump contactor. The setting adjustment screws are used for setting the pressure range and differential. There is one set of form-C output contacts rated at 10A.

Technical data

Across-the-line (direct on line)

Jockey pump controllers

Line voltage

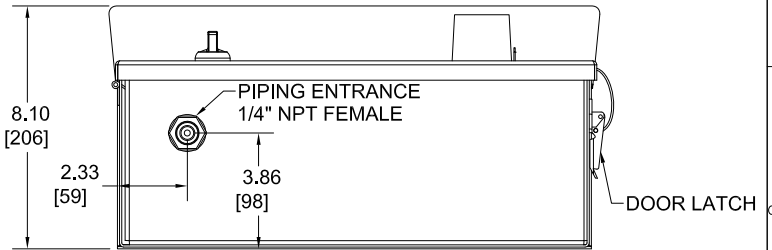
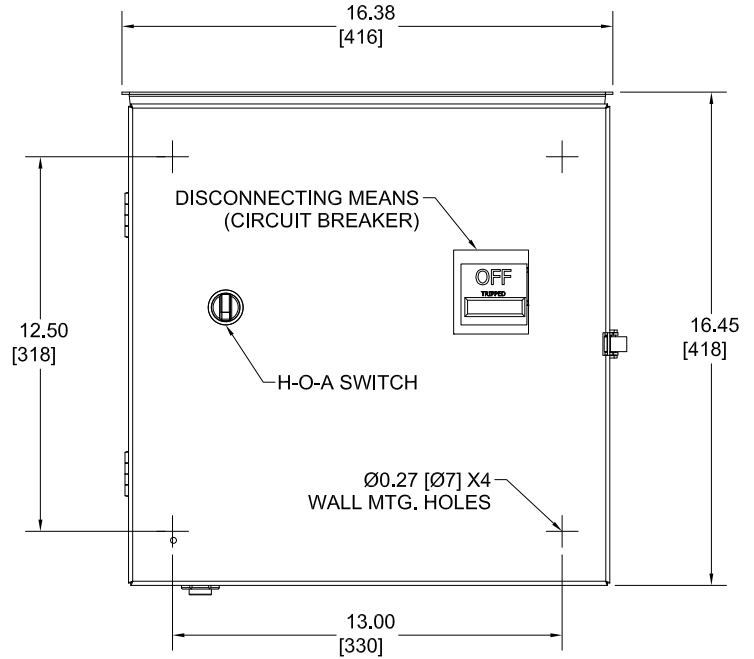
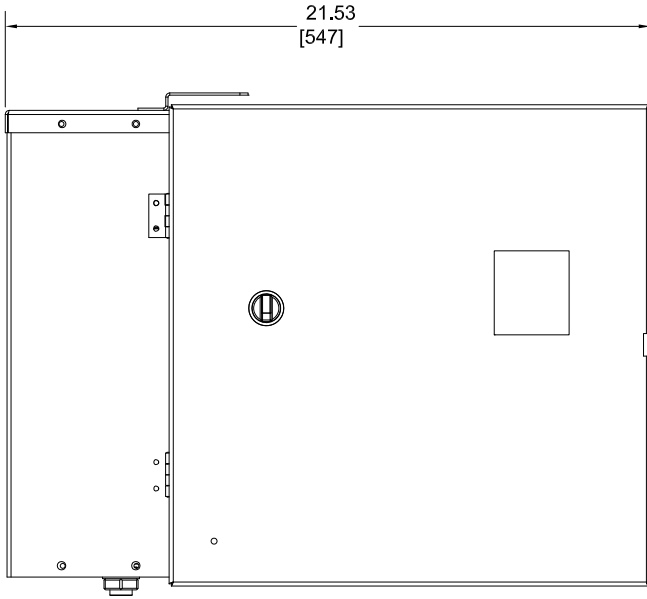
200-208V	220-240V	380-415V	440-480V	550-600V	120V-1Ph	240V-1Ph
----------	----------	----------	----------	----------	----------	----------

Motor horsepower

1/3-20Hp	1/3-20Hp	1/3-40Hp	1/3-50Hp	1/3-50Hp	1/3-2Hp	1/3-5Hp
----------	----------	----------	----------	----------	---------	---------

Standards & certification

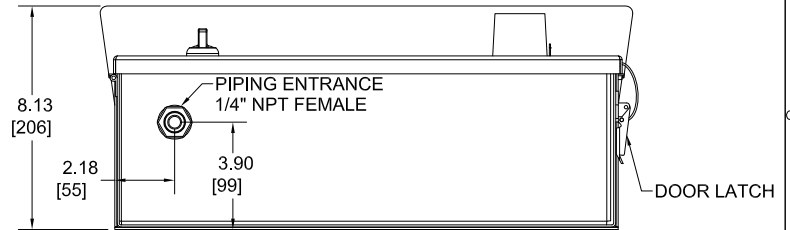
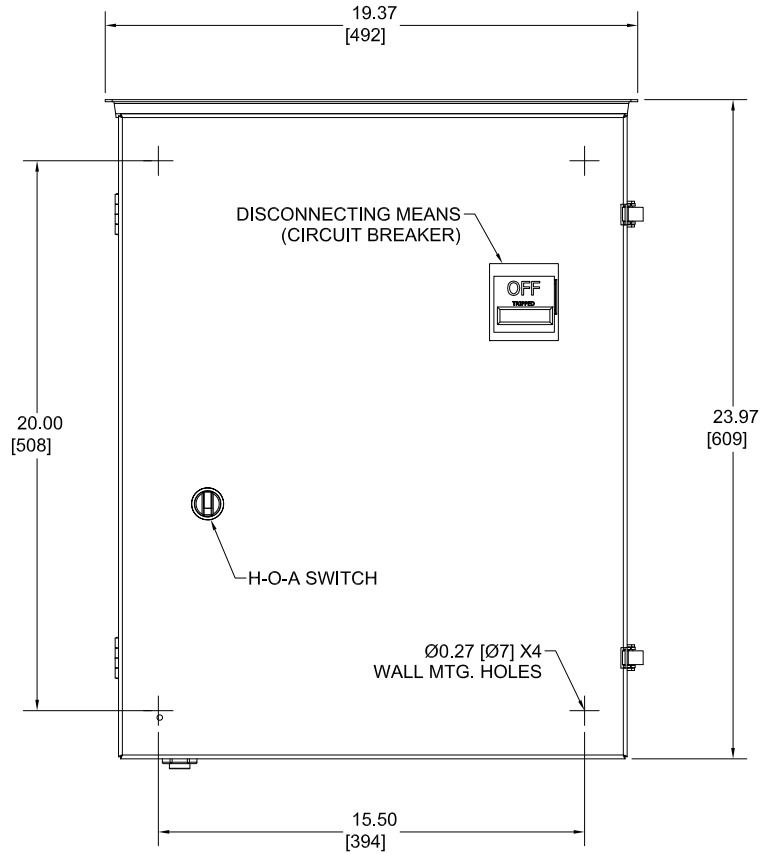
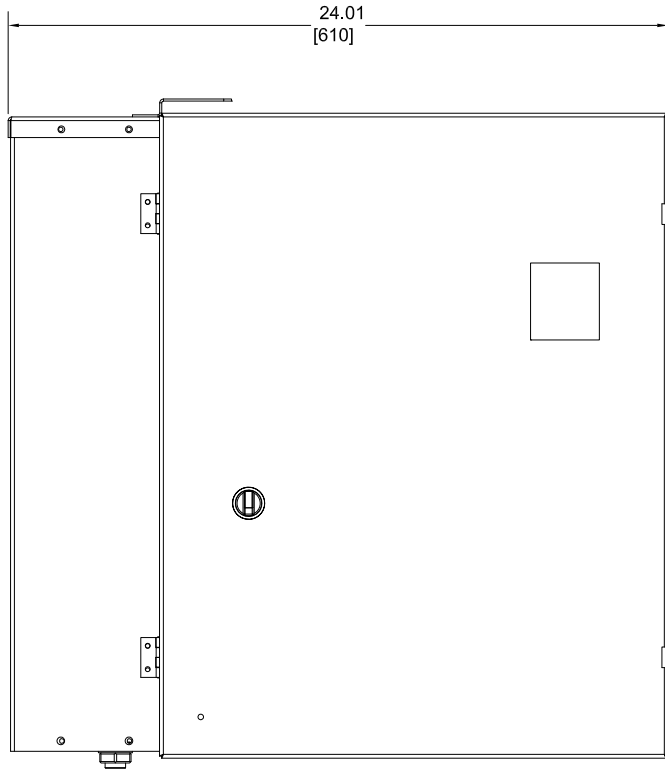
The JOCKEY Lite - Jockey Pump Controllers meet the requirements of the latest edition of NFPA 20 as well as meeting CE mark requirements. They meet or exceed the requirements of UL 508 [Underwriters Laboratories (UL)] and are approved by [Canadian Standards Association (CSA)].



- NOTES:**
1. All enclosures are finished in Fire Pump Red
 2. Cable entrance either top or bottom
 3. Standard enclosure: Type 2
 4. Dimension units: in [mm]

200-208V		220-240V		380-415V		440-480V		550-600V	
Motor HP	Withstand Rating (kA)	Motor HP	Withstand Rating (kA)	Motor HP	Withstand Rating (kA)	Motor HP	Withstand Rating (kA)	Motor HP	Withstand Rating (kA)
15 - 20	100	15 - 20	100	20 - 40	100	25 - 50	100	40 - 50	25

120V 1ph		208V 1ph		240V 1ph		Approx. Weight
Motor HP	Withstand Rating (kA)	Motor HP	Withstand Rating (kA)	Motor HP	Withstand Rating (kA)	Lbs (Kg)
3 - 5	100	5 - 10	100	7.5 - 10	100	55 (25)

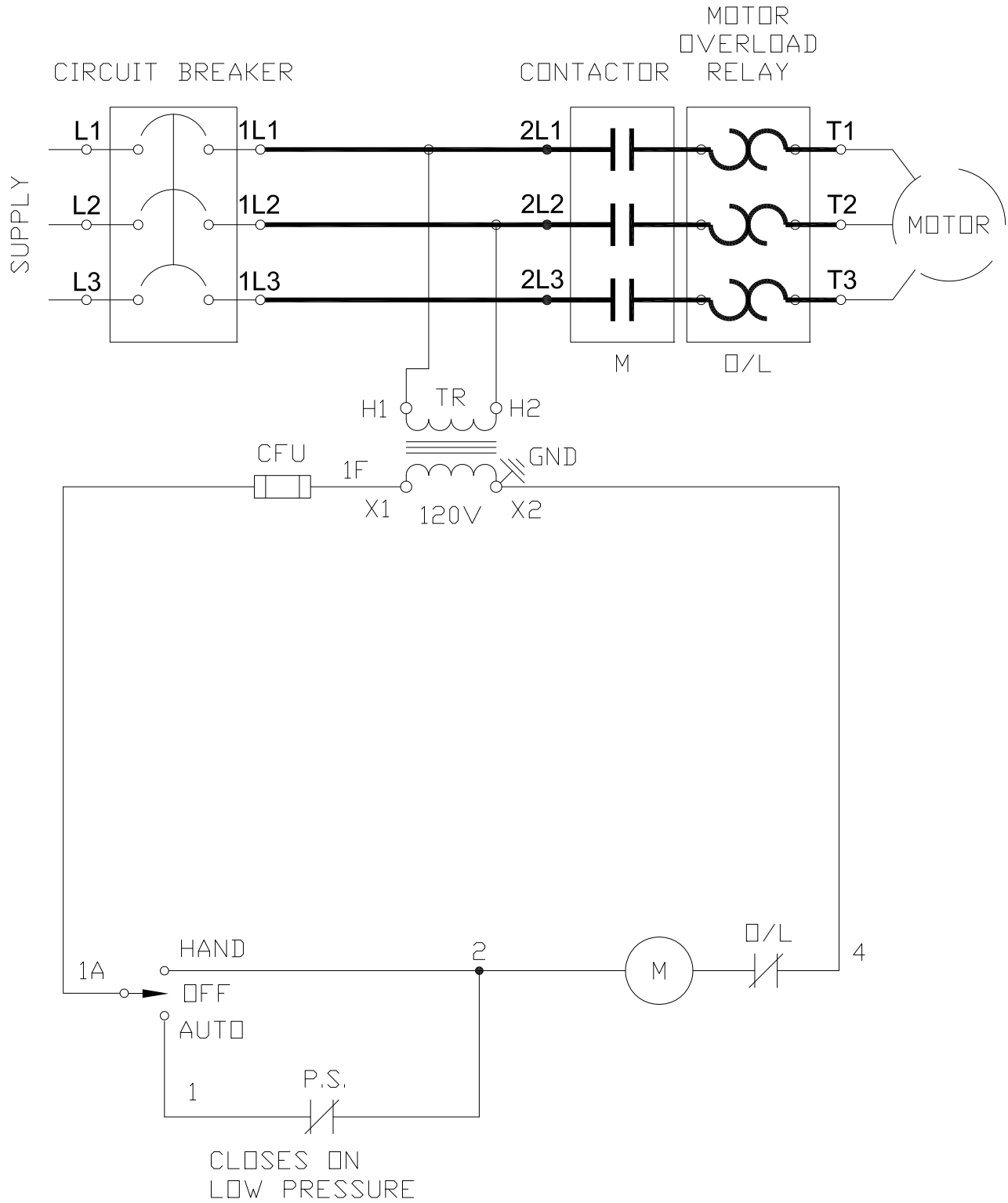


NOTES:

1. All enclosures finished in Fire Pump Red
2. Cable entrance either top or bottom
3. Standard enclosure: Type 2
4. Dimension units: in [mm]

200-208V		220-240V		380-415V		440-480V		550-600V	
Motor HP	Withstand Rating (kA)	Motor HP	Withstand Rating (kA)	Motor HP	Withstand Rating (kA)	Motor HP	Withstand Rating (kA)	Motor HP	Withstand Rating (kA)
15 - 20	100	15 - 20	100	20 - 40	100	25 - 50	100	40 - 50	25

120V 1ph		208V 1ph		240V 1ph		Approx. Weight
Motor HP	Withstand Rating (kA)	Motor HP	Withstand Rating (kA)	Motor HP	Withstand Rating (kA)	Lbs (Kg)
3 - 5	100	5 - 10	100	7.5 - 10	100	55 (25)



Line terminals (incoming cables)

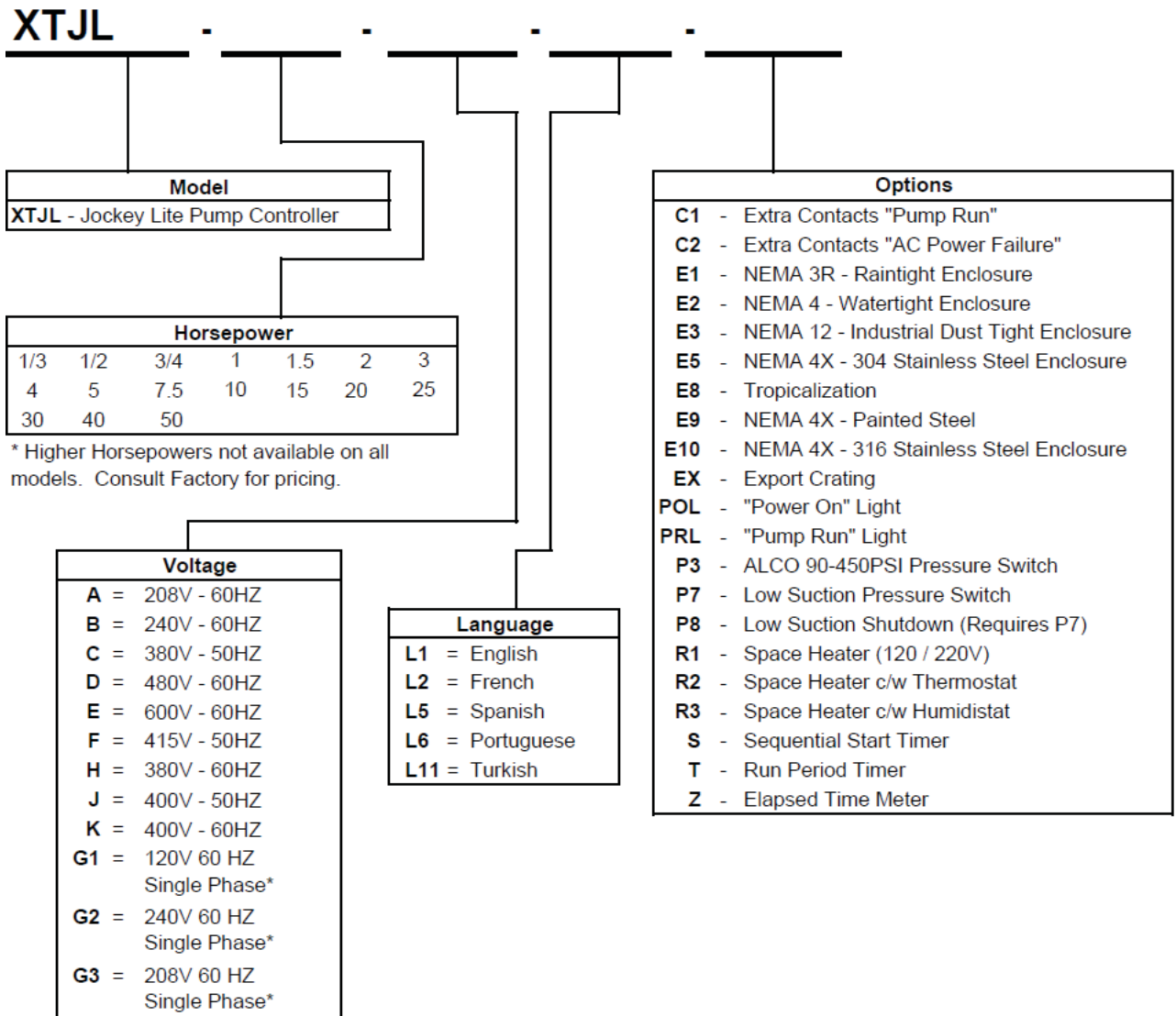
	Line voltage					Qty. & cable sizes		Qty. & cable sizes	
	200 - 208	220 - 240	380 - 415*	440 - 480	550 - 600			Ground lug	
Max HP	10	10	15	20	30	(1) #14 - 6 (CU/AL)		(4) #14 - 2 (CU/AL)	
	20	20	40	50	50	(1) #14 - 1/0 (CU/AL)		(4) #14 - 2 (CU/AL)	

Load terminals (to motor)

	Line voltage					Qty. & cable sizes	
	200 - 208	220 - 240	380 - 415*	440 - 480	550 - 600	Single Run	Double Run
Max HP	2	3	5	5	7.5	(1) #18 - 14 (CU/AL)	(2) #18 - 14 (CU/AL)
	10	10	15	20	30	(1) #14 - 8 (CU/AL)	(2) #14 - 8 (CU/AL)
	20	20	40	50	50	(1) #14 - 2 (CU/AL)	

For proper cable size, refer to the most recent edition of the National Electric Code (NEC - NFPA 70)

XTJL Jockey pump controllers



Powering Business Worldwide

XTJL Jockey pump controllers

Typical specifications

Approvals

The Jockey Pump Controller shall meet the requirements of the latest edition of NFPA 20 as well as meeting CE mark requirements. It shall meet or exceed the requirements of UL 508 [Underwriters Laboratories (UL)] standards and approved by [Canadian Standards Association (CSA)].

Starting type

The controller shall be Across-the-Line type for full voltage starting.

Ratings

The Controller shall have a withstand rating of 10,000 symmetrical amperes @ [208V] [240V] [380V] [400V] [415V] [480V] [600V] [120V single phase] [240V single phase]

The horsepower rating of the controller shall not exceed 50Hp for three (3) phase units or 10Hp for single (1) phase units.

Construction

The controller shall include a combination Circuit Breaker/Overload Motor Protector.

The motor circuit protector shall be mechanically interlocked such that the enclosure door cannot be opened when the handle is in the ON position except by a tool operated defeater mechanism.

The controller manufacturer shall manufacture the contactor, circuit breaker, pushbuttons, and enclosures. Brand labeled components will not be accepted.

Supply Voltage

The jockey pump controller shall be available in following supply voltages:

A	200-208V 50/60Hz
B	220-240V 50/60Hz
C	380V 50/60Hz
D	440-480V 50/60Hz
E	550-600V 50/60Hz
F	415V 50/60Hz
G1	120V single phase
G2	240V single phase
J	400V 50Hz
K	400V 60Hz

Enclosure

The controller shall be housed in a NEMA Type 2 (IEC IP11) drip-proof, powder baked finish, freestanding enclosure.

Optional Enclosures:

- NEMA 3R (IEC IP14) rain-tight enclosure
- NEMA 4 (IEC IP66) watertight enclosure
- NEMA 4X (IEC IP66) watertight 304 stainless steel enclosure
- NEMA 4X (IEC IP66) watertight 316 stainless steel enclosure
- NEMA 4X (IEC IP66) watertight corrosion resistant enclosure
- NEMA 12 (IEC IP52) dust-tight enclosure

Run Period Timer

An optional Run Period Timer shall be available.

Languages

The controller shall be available in a variety of languages including, but not limited to:

English, French, Spanish, Portuguese, Turkish.

Options

The jockey pump controller shall have provisions to be supplied with the following options:

- C1 Extra Contacts "Pump Run"
- C2 Extra Contacts "AC Power Failure"
- E1 NEMA 3R - Raintight Enclosure
- E2 NEMA 4 - Watertight Enclosure
- E3 NEMA 12 - Industrial Dust Tight Enclosure
- E5 NEMA 4X - 304 Stainless Steel Enclosure
- E8 Tropicalization
- E9 NEMA 4X - Painted Steel
- E10 NEMA 4X - 316 Stainless Steel
- EX Export Crating
- POL "Power On" Light
- PRL "Pump Run" Light
- P7 Low Suction Pressure Switch and Light
- P8 Low Suction Shutdown
- R1 Space Heater (120/240V)
- R2 Space Heater c/w Thermostat
- R3 Space Heater c/w Humidistat
- S Sequential Start Timer
- T Run Period Timer
- Z Elapsed Time Meter



Powering Business Worldwide

Jockey Lite pump controller Features

Manufacturer

The controller shall be of the XTJL Across-the-Line type as manufactured by EATON.