

February 2009

Simplex, Duplex, Triplex Booster, Sewage, Submersible



Product Description

Eaton's Cutler-Hammer custom Pump Controllers are designed for use in a variety of Industrial, Commercial and Municipal pumping applications from simplex and duplex sequencing operations, to waste water and sewage treatment installations.

Various styles are available from relay based Simplex controllers to PLC based Quadraplex controllers with pressure transducer input.

As well, a Variable Frequency Drive Booster Controller, model BPV is available.



Approvals



N. Y. C.
APPROVED



Product Features

Eaton Cutler-Hammer Components

All Pump Controllers are manufactured using Eaton Cutler-Hammer components such as NEMA rated starters, oil and dust tight 10250T Series NEMA pushbuttons and Cutler-Hammer breakers.

Enclosures

Eaton Cutler-Hammer manufactures a wide variety of enclosures. As well as many standard designs, custom enclosures can be produced to your specifications. Ratings include NEMA 1, 2, 3R, 4, 4X and 12.

Control Transformer

The control power is supplied by a control power transformer (TR) which is protected by two fuses on the primary lines. Secondary power is 120vac - 50/60Hz.

Power ON / Pump Run Lights

A 120V Power ON and Pump Run light is supplied standard on Duplex, Triplex and Quadraplex controllers and can be added as an option to all simplex controllers. The Power ON light indicates when power is supplied to the internal components and indicating devices. The Pump Run light is operated from an auxiliary contact from the pump motor starter. The two lights are provided standard in PLC controlled units.

Auxiliary Indication Light

Auxiliary indication lights can be provided for indication of various conditions. Quantity and nameplate information must be specified at time of order.

Common Alarm Indication

A common alarm indicating light can be provided which will activate when any alarm condition exists.

Manual Alternation Selector Switch

An optional selector switch can be installed which allows the user to manually select lead and lag pumps.

Auxiliary / Remote Contacts

An auxiliary set of contacts can be installed to provide a signal for indication of Pump Run and / or AC Power Failure.

Extra remote contacts (1 set - Form-C) are also available. The quantity required must be specified at time of order.

Space Heaters

Several space heater options are available. A 120V / 220V, 300W heater can be provided by itself, with Thermostat for controlling temperature or with a Humidistat for control of internal moisture.

As well, a low room temperature switch and high temperature cutout input (PLC models) are available as options.

Strobe Light

A compact, rotating warning light can be provided in place of an alarm bell for alarm indication purposes. It features a parabolic reflector which rotates around an incandescent lamp, providing 60 flashes per minute in all directions.

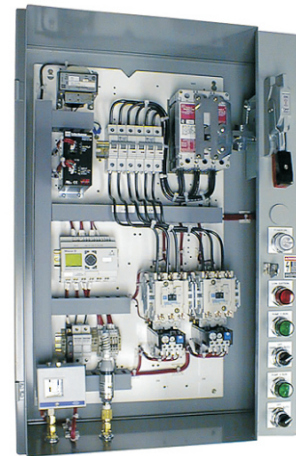
Timers

Timer options include SST - Sequential Start Timer, RPT - Run Period Timer and ETM - Elapsed Time Meter.

In the PLC based controller, timer values can be field modified. Descriptions of each timer function can be found in the Pump Controller Instruction Manual - IM05805007K.

Weekly Test

The weekly clock function can be provided by either a separate component or as part of the PLC program / function. This allows the user to set automatic time intervals for performing system tests.



Elapsed Time Meter

A six digit LCD, solid state, non-resettable elapsed time meter can be installed which will record the amount of time the pump motor has been running. It receives the elapsed time signal from the auxiliary contact of the motor starter. This ensures that elapsed time is recorded in both the HAND and AUTO position of the H.O.A. Control selector switch.

In a PLC operated controller, the elapsed time meter is integral to the PLC.

Pressure Input Devices

Various pressure switches are available for functions such as low suction pressure, low suction shutdown and low system (tank) pressure. Options include a Standard diaphragm pressure switch, a Mercoild 10-300 or 25-600psi seawater rated stainless steel Mercoild switch.

On PLC based controller units, a pressure transducer input can be substituted in place of a standard pressure switch. The transducer provides a 0.5 - 5.5V input to the PLC.

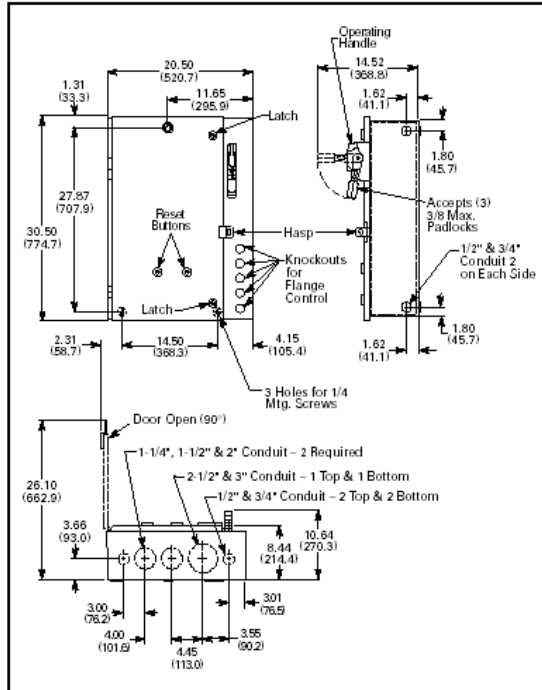
Simplex, Duplex, Triplex Booster, Sewage, Submersible

Dimensions

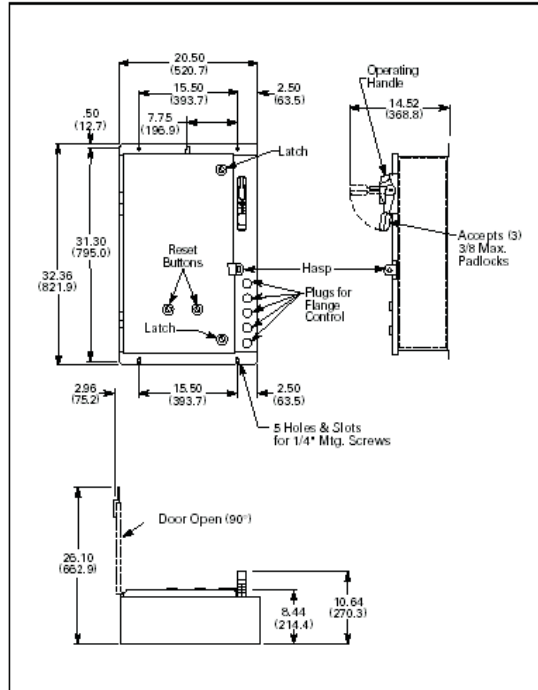
Standard Enclosure - Type NEMA 2, 3R, 4, 4X, 12

Approximate Dimensions in Inches (mm)

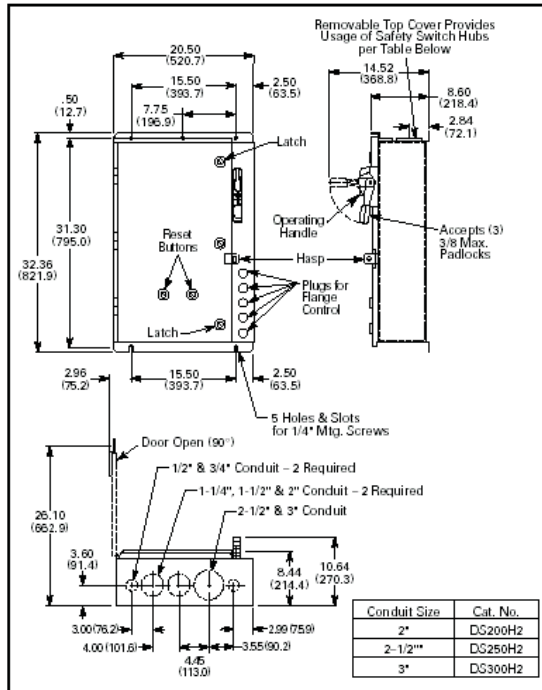
Box C, NEMA 1



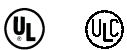
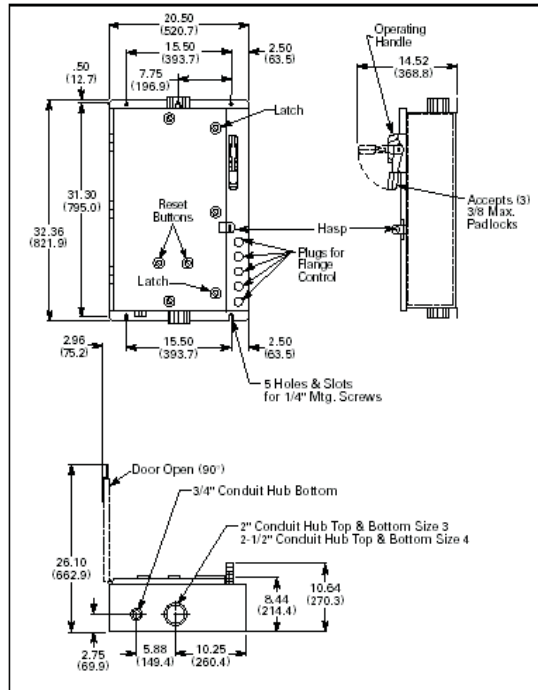
Box C, NEMA 12



Box C, NEMA 3R

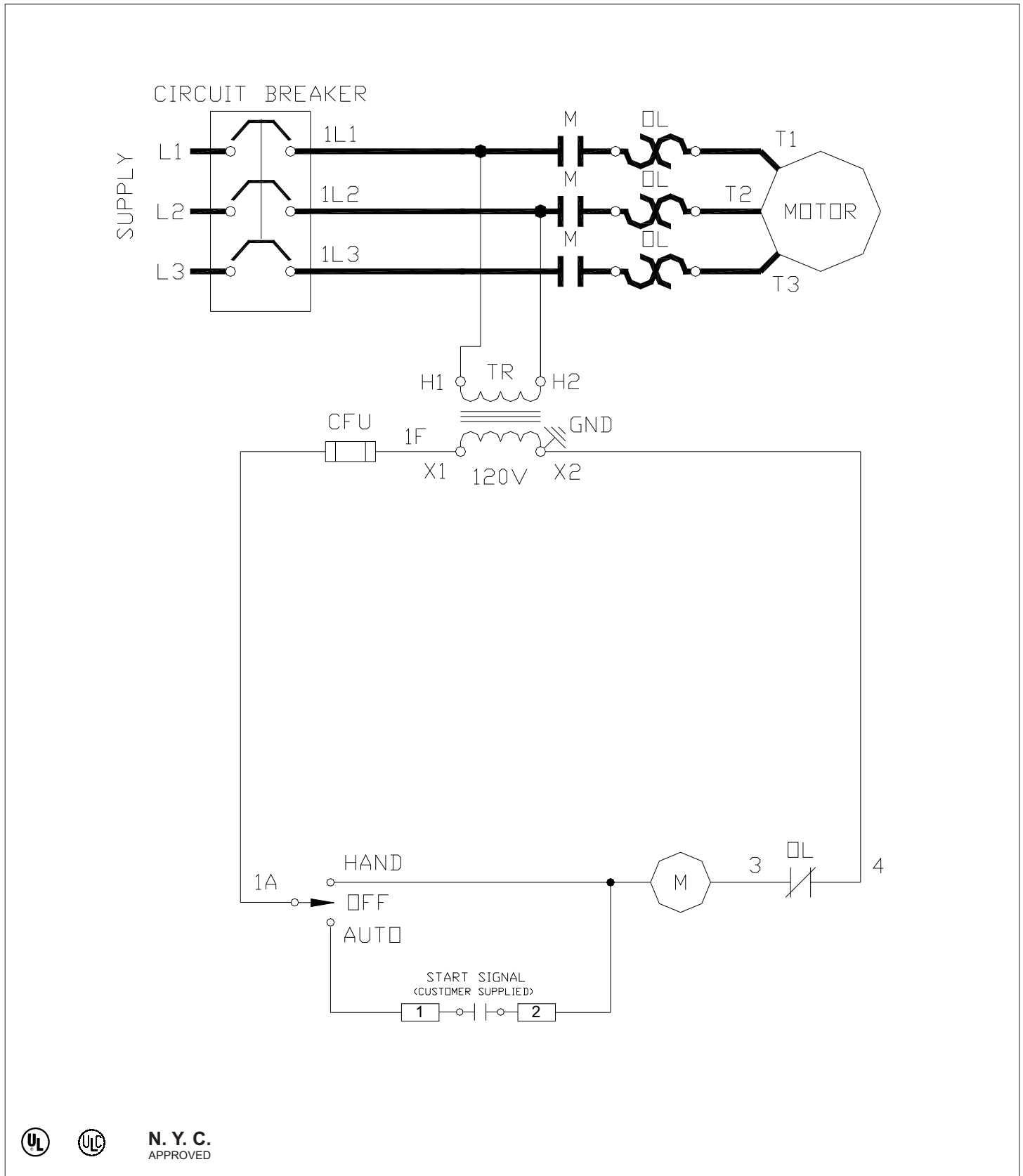


Box C, NEMA 4X



N. Y. C.
APPROVED

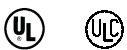
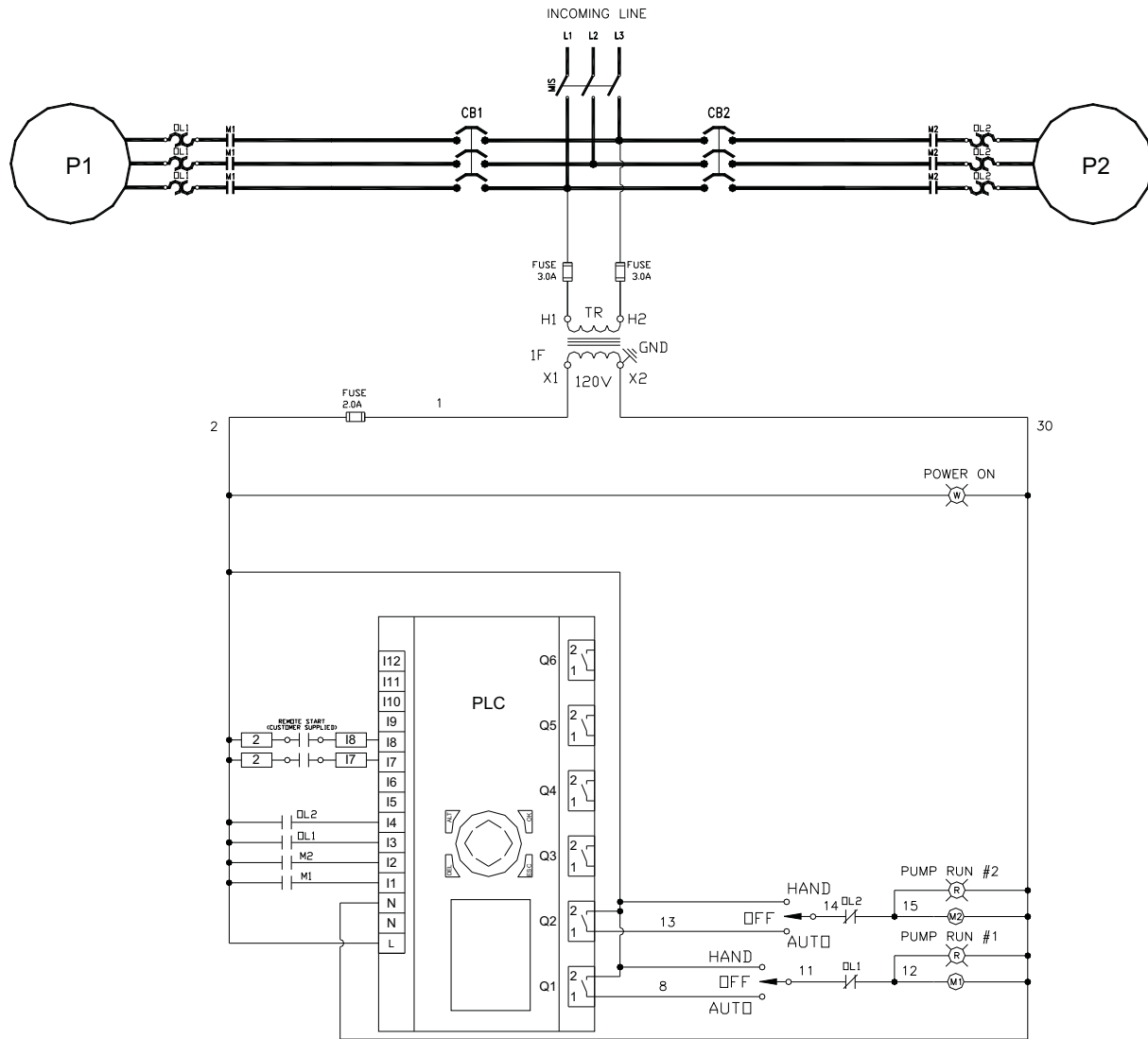
Electrical Wiring Schematic
Booster Pump Controller - Simplex



N. Y. C.
APPROVED

Simplex, Duplex, Triplex Booster, Sewage, Submersible

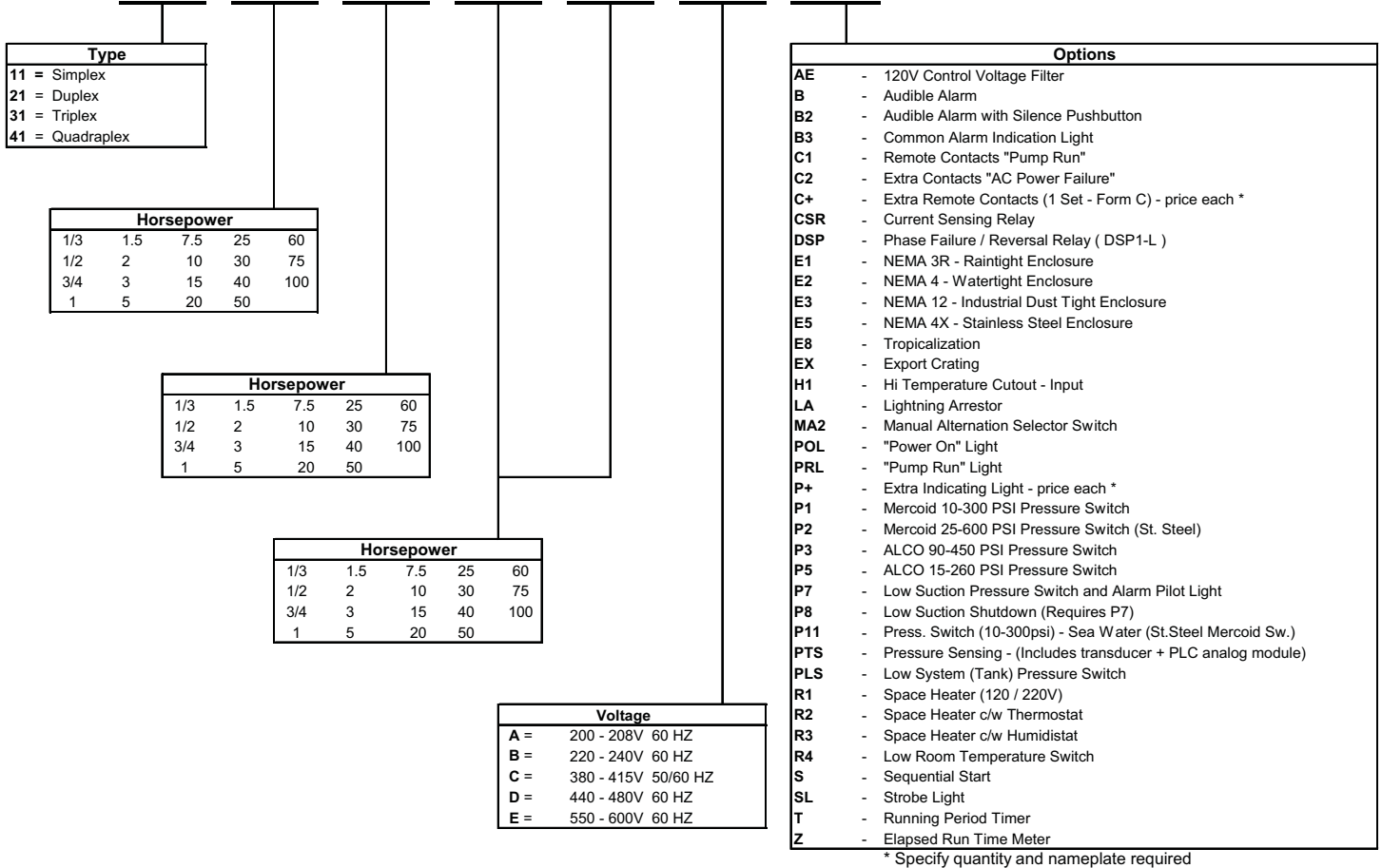
Typical Electrical Wiring Schematic Booster Pump Controller - PLC Based



N. Y. C.
APPROVED

**Catalog Number Selection
Booster Pump Controller Catalog Numbering System**

BPC



Simplex, Duplex, Triplex Booster, Sewage, Submersible

Product Selection
Options
Catalog Number Option Selection

Designation	Description	Price			
		Simplex	Duplex	Triplex	Quadruplex
AE	120V Control Voltage Filter	-	\$450	\$450	\$450
B	Audible Alarm	\$120	\$120	\$120	\$120
B2	Audible Alarm with Silence Pushbutton	\$200	\$200	\$200	\$200
B3	Common Alarm Indication Light	\$285	\$120	\$120	\$120
C1	Remote Contacts "Pump Run"	\$160	\$320	\$480	\$640
C2	Extra Contacts "AC Power Failure"	\$160	\$160	\$160	\$160
C+	Extra Remote Contacts (1 Set - Form C) - price each *	\$160	\$160	\$160	\$160
CSR	Current Sensing Relay	\$725	\$1,450	\$2,175	\$2,900
DSP	Phase Failure / Reversal Relay (DSP1-L)	\$375	\$375	\$375	\$375
E1	NEMA 3R - Raintight Enclosure	Consult Factory			
E2	NEMA 4 - Watertight Enclosure				
E3	NEMA 12 - Industrial Dust Tight Enclosure				
E5	NEMA 4X - Stainless Steel Enclosure				
E8	Tropicalization				
EX	Export Crating				
H1	Hi Temperature Cutout - Input	\$90	\$90	\$90	\$90
LA	Lightning Arrestor	\$525	\$525	\$525	\$525
MA2	Manual Alternation Selector Switch	\$110	\$135	\$160	\$185
POL	"Power On" Light	\$120	Std	Std	Std
PRL	"Pump Run" Light	\$120	Std	Std	Std
P+	Extra Indicating Light - price each *	\$120	\$120	\$120	\$120
P1	Mercoïd 10-300 PSI Pressure Switch	\$400	\$400	\$400	\$400
P2	Mercoïd 25-600 PSI Pressure Switch - Sea Water (St. Steel)	\$500	\$500	\$500	\$500
P3	ALCO 90-450 PSI Pressure Switch	\$120	\$240	\$360	\$480
P5	ALCO 15-260 PSI Pressure Switch	\$120	\$240	\$360	\$480
P7	Low Suction Pressure Switch and Alarm Pilot Light	\$570	\$570	\$570	\$570
P8	Low Suction Shutdown (Requires P7)	\$75	\$75	\$75	\$75
P11	Press. Switch (10-300psi) - Sea Water (St.Steel Mercoïd Sw.)	\$700	\$700	\$700	\$700
PTS	Pressure Sensing - (Includes transducer + PLC analog module)	\$950	\$950	\$950	\$950
PLS	Low System (Tank) Pressure Switch	\$180	\$180	\$180	\$180
R1	Space Heater (120 / 220V)	\$250	\$250	\$250	\$250
R2	Space Heater c/w Thermostat	\$320	\$320	\$320	\$320
R3	Space Heater c/w Humidistat	\$320	\$320	\$320	\$320
R4	Low Room Temperature Switch	\$145	\$145	\$145	\$145
S	Sequential Start	\$250	Std	Std	Std
SL	Strobe Light	\$650	\$650	\$650	\$650
T	Running Period Timer	\$160	Std	Std	Std
Z	Elapsed Run Time Meter	\$125	\$250	\$375	\$500

* Specify quantity and nameplate required

February 2009

Simplex, Duplex, Triplex Booster, Sewage, Submersible

Pump Controller Catalog Numbering System

Booster Pump Controller - BPC11 - Simplex

Catalog Number Selection Chart - Pump Controllers

Catalog Number	Voltage	Hp	Price
BPC11-1/4A	200-208V 60 HZ	1/4	\$894
BPC11-1/3A		1/3	\$894
BPC11-1/2A		1/2	\$894
BPC11-3/4A		3/4	\$894
BPC11-1A		1	\$894
BPC11-1.5A		1.5	\$894
BPC11-2A		2	\$894
BPC11-3A		3	\$894
BPC11-5A		5	\$894
BPC11-7.5A		7.5	\$894
BPC11-10A		10	\$954
BPC11-15A		15	\$954
BPC11-20A		20	\$1,284
BPC11-25A		25	\$1,284
BPC11-30A		30	\$1,284
BPC11-40A		40	\$2,450
BPC11-50A		50	\$2,450
BPC11-60A		60	\$5,550
BPC11-75A		75	\$5,550
BPC11-100A		100	\$5,550
BPC11-1/4B	220-240V 60 HZ	1/4	\$894
BPC11-1/3B		1/3	\$894
BPC11-1/2B		1/2	\$894
BPC11-3/4B		3/4	\$894
BPC11-1B		1	\$894
BPC11-1.5B		1.5	\$894
BPC11-2B		2	\$894
BPC11-3B		3	\$894
BPC11-5B		5	\$894
BPC11-7.5B		7.5	\$894
BPC11-10B		10	\$954
BPC11-15B		15	\$954
BPC11-20B		20	\$1,284
BPC11-25B		25	\$1,284
BPC11-30B		30	\$1,284
BPC11-40B		40	\$2,450
BPC11-50B		50	\$2,450
BPC11-60B		60	\$5,550
BPC11-75B		75	\$5,550
BPC11-100B		100	\$5,550
BPC11-1/4C	380-415V 50 / 60 HZ	1/4	\$858
BPC11-1/3C		1/3	\$858
BPC11-1/2C		1/2	\$858
BPC11-3/4C		3/4	\$858
BPC11-1C		1	\$858
BPC11-1.5C		1.5	\$858
BPC11-2C		2	\$858
BPC11-3C		3	\$858
BPC11-5C		5	\$858
BPC11-7.5C		7.5	\$894
BPC11-10C		10	\$894
BPC11-15C		15	\$954
BPC11-20C		20	\$954
BPC11-25C		25	\$954
BPC11-30C		30	\$1,284
BPC11-40C		40	\$1,284
BPC11-50C		50	\$1,284
BPC11-60C		60	\$2,450
BPC11-75C		75	\$2,450
BPC11-100C		100	\$5,550

Catalog Number Selection Chart - Pump Controllers

Catalog Number	Voltage	Hp	Price
BPC11-1/4D	440-480V 60 HZ	1/4	\$858
BPC11-1/3D		1/3	\$858
BPC11-1/2D		1/2	\$858
BPC11-3/4D		3/4	\$858
BPC11-1D		1	\$858
BPC11-1.5D		1.5	\$858
BPC11-2D		2	\$858
BPC11-3D		3	\$858
BPC11-5D		5	\$858
BPC11-7.5D		7.5	\$894
BPC11-10D		10	\$894
BPC11-15D		15	\$954
BPC11-20D		20	\$954
BPC11-25D		25	\$954
BPC11-30D		30	\$1,284
BPC11-40D		40	\$1,284
BPC11-50D		50	\$1,284
BPC11-60D		60	\$2,450
BPC11-75D		75	\$2,450
BPC11-100D		100	\$2,450
BPC11-1/4E	550-600V 60 HZ	1/4	\$858
BPC11-1/3E		1/3	\$858
BPC11-1/2E		1/2	\$858
BPC11-3/4E		3/4	\$858
BPC11-1E		1	\$858
BPC11-1.5E		1.5	\$858
BPC11-2E		2	\$858
BPC11-3E		3	\$858
BPC11-5E		5	\$858
BPC11-7.5E		7.5	\$894
BPC11-10E		10	\$894
BPC11-15E		15	\$954
BPC11-20E		20	\$954
BPC11-25E		25	\$954
BPC11-30E		30	\$1,284
BPC11-40E		40	\$1,284
BPC11-50E		50	\$1,284
BPC11-60E		60	\$2,450
BPC11-75E		75	\$2,450
BPC11-100E		100	\$2,450

Simplex, Duplex, Triplex Booster, Sewage, Submersible

Pump Controller Catalog Numbering System
Booster Pump Controller - BPC21 - Duplex

Catalog Number Selection Chart - Pump Controllers

Catalog Number	Voltage	Hp	Price
BPC 21-1/4A	200-208V 60 HZ	1/4	\$2,738
BPC 21-1/3A		1/3	\$2,738
BPC 21-1/2A		1/2	\$2,738
BPC 21-3/4A		3/4	\$2,738
BPC 21-1A		1	\$2,738
BPC 21-1.5A		1.5	\$2,738
BPC 21-2A		2	\$2,738
BPC 21-3A		3	\$2,738
BPC 21-5A		5	\$2,738
BPC 21-7.5A		7.5	\$2,738
BPC 21-10A		10	\$2,858
BPC 21-15A		15	\$2,858
BPC 21-20A		20	\$3,518
BPC 21-25A		25	\$3,518
BPC 21-30A		30	\$3,518
BPC 21-40A		40	\$5,850
BPC 21-50A		50	\$5,850
BPC 21-60A		60	\$12,050
BPC 21-75A		75	\$12,050
BPC 21-100A	100	\$12,050	
BPC 21-1/4B	220-240V 60 HZ	1/4	\$2,738
BPC 21-1/3B		1/3	\$2,738
BPC 21-1/2B		1/2	\$2,738
BPC 21-3/4B		3/4	\$2,738
BPC 21-1B		1	\$2,738
BPC 21-1.5B		1.5	\$2,738
BPC 21-2B		2	\$2,738
BPC 21-3B		3	\$2,738
BPC 21-5B		5	\$2,738
BPC 21-7.5B		7.5	\$2,738
BPC 21-10B		10	\$2,858
BPC 21-15B		15	\$2,858
BPC 21-20B		20	\$3,518
BPC 21-25B		25	\$3,518
BPC 21-30B		30	\$3,518
BPC 21-40B		40	\$5,850
BPC 21-50B		50	\$5,850
BPC 21-60B		60	\$12,050
BPC 21-75B		75	\$12,050
BPC 21-100B	100	\$12,050	
BPC 21-1/4C	380-415V 50 / 60 HZ	1/4	\$2,666
BPC 21-1/3C		1/3	\$2,666
BPC 21-1/2C		1/2	\$2,666
BPC 21-3/4C		3/4	\$2,666
BPC 21-1C		1	\$2,666
BPC 21-1.5C		1.5	\$2,666
BPC 21-2C		2	\$2,666
BPC 21-3C		3	\$2,666
BPC 21-5C		5	\$2,666
BPC 21-7.5C		7.5	\$2,738
BPC 21-10C		10	\$2,738
BPC 21-15C		15	\$2,858
BPC 21-20C		20	\$2,858
BPC 21-25C		25	\$2,858
BPC 21-30C		30	\$3,518
BPC 21-40C		40	\$3,518
BPC 21-50C		50	\$3,518
BPC 21-60C		60	\$5,850
BPC 21-75C		75	\$5,850
BPC 21-100C	100	\$12,050	

Catalog Number Selection Chart - Pump Controllers

Catalog Number	Voltage	Hp	Price
BPC 21-1/4D	440-480V 60 HZ	1/4	\$2,666
BPC 21-1/3D		1/3	\$2,666
BPC 21-1/2D		1/2	\$2,666
BPC 21-3/4D		3/4	\$2,666
BPC 21-1D		1	\$2,666
BPC 21-1.5D		1.5	\$2,666
BPC 21-2D		2	\$2,666
BPC 21-3D		3	\$2,666
BPC 21-5D		5	\$2,666
BPC 21-7.5D		7.5	\$2,738
BPC 21-10D		10	\$2,738
BPC 21-15D		15	\$2,858
BPC 21-20D		20	\$2,858
BPC 21-25D		25	\$2,858
BPC 21-30D		30	\$3,518
BPC 21-40D		40	\$3,518
BPC 21-50D		50	\$3,518
BPC 21-60D		60	\$5,850
BPC 21-75D		75	\$5,850
BPC 21-100D	100	\$5,850	
BPC 21-1/4E	550-600V 60 HZ	1/4	\$2,666
BPC 21-1/3E		1/3	\$2,666
BPC 21-1/2E		1/2	\$2,666
BPC 21-3/4E		3/4	\$2,666
BPC 21-1E		1	\$2,666
BPC 21-1.5E		1.5	\$2,666
BPC 21-2E		2	\$2,666
BPC 21-3E		3	\$2,666
BPC 21-5E		5	\$2,666
BPC 21-7.5E		7.5	\$2,738
BPC 21-10E		10	\$2,738
BPC 21-15E		15	\$2,858
BPC 21-20E		20	\$2,858
BPC 21-25E		25	\$2,858
BPC 21-30E		30	\$3,518
BPC 21-40E		40	\$3,518
BPC 21-50E		50	\$3,518
BPC 21-60E		60	\$5,850
BPC 21-75E		75	\$5,850
BPC 21-100E	100	\$5,850	

February 2009

Simplex, Duplex, Triplex Booster, Sewage, Submersible

Pump Controller Catalog Numbering System
Booster Pump Controller - BPC31 - Triplex

Catalog Number Selection Chart - Pump Controllers

Catalog Number	Voltage	Hp	Price
BPC 31-1/4A	200-208V 60 HZ	1/4	\$2,988
BPC 31-1/3A		1/3	\$2,988
BPC 31-1/2A		1/2	\$2,988
BPC 31-3/4A		3/4	\$2,988
BPC 31-1A		1	\$2,988
BPC 31-1.5A		1.5	\$2,988
BPC 31-2A		2	\$2,988
BPC 31-3A		3	\$2,988
BPC 31-5A		5	\$2,988
BPC 31-7.5A		7.5	\$2,988
BPC 31-10A		10	\$3,258
BPC 31-15A		15	\$3,258
BPC 31-20A		20	\$3,918
BPC 31-25A		25	\$3,918
BPC 31-30A		30	\$4,068
BPC 31-40A		40	\$6,400
BPC 31-50A		50	\$6,650
BPC 31-60A		60	\$12,850
BPC 31-75A	75	\$12,850	
BPC 31-100A	100	\$14,350	
BPC 31-1/4B	220-240V 60 HZ	1/4	\$2,988
BPC 31-1/3B		1/3	\$2,988
BPC 31-1/2B		1/2	\$2,988
BPC 31-3/4B		3/4	\$2,988
BPC 31-1B		1	\$2,988
BPC 31-1.5B		1.5	\$2,988
BPC 31-2B		2	\$2,988
BPC 31-3B		3	\$2,988
BPC 31-5B		5	\$2,988
BPC 31-7.5B		7.5	\$2,988
BPC 31-10B		10	\$3,108
BPC 31-15B		15	\$3,108
BPC 31-20B		20	\$3,918
BPC 31-25B		25	\$3,918
BPC 31-30B		30	\$3,918
BPC 31-40B		40	\$6,400
BPC 31-50B		50	\$6,500
BPC 31-60B		60	\$12,850
BPC 31-75B	75	\$12,850	
BPC 31-100B	100	\$12,850	
BPC 31-1/4C	380-415V 50 / 60 HZ	1/4	\$2,916
BPC 31-1/3C		1/3	\$2,916
BPC 31-1/2C		1/2	\$2,916
BPC 31-3/4C		3/4	\$2,916
BPC 31-1C		1	\$2,916
BPC 31-1.5C		1.5	\$2,916
BPC 31-2C		2	\$2,916
BPC 31-3C		3	\$2,916
BPC 31-5C		5	\$2,916
BPC 31-7.5C		7.5	\$2,988
BPC 31-10C		10	\$2,988
BPC 31-15C		15	\$3,108
BPC 31-20C		20	\$3,108
BPC 31-25C		25	\$3,108
BPC 31-30C		30	\$3,918
BPC 31-40C		40	\$3,918
BPC 31-50C		50	\$3,918
BPC 31-60C		60	\$6,400
BPC 31-75C	75	\$6,400	
BPC 31-100C	100	\$12,850	

Catalog Number Selection Chart - Pump Controllers

Catalog Number	Voltage	Hp	Price
BPC 31-1/4D	440-480V 60 HZ	1/4	\$2,916
BPC 31-1/3D		1/3	\$2,916
BPC 31-1/2D		1/2	\$2,916
BPC 31-3/4D		3/4	\$2,916
BPC 31-1D		1	\$2,916
BPC 31-1.5D		1.5	\$2,916
BPC 31-2D		2	\$2,916
BPC 31-3D		3	\$2,916
BPC 31-5D		5	\$2,916
BPC 31-7.5D		7.5	\$2,988
BPC 31-10D		10	\$2,988
BPC 31-15D		15	\$3,108
BPC 31-20D		20	\$3,108
BPC 31-25D		25	\$3,108
BPC 31-30D		30	\$3,918
BPC 31-40D		40	\$3,918
BPC 31-50D		50	\$3,918
BPC 31-60D		60	\$6,400
BPC 31-75D	75	\$6,400	
BPC 31-100D	100	\$6,400	
BPC 31-1/4E	550-600V 60 HZ	1/4	\$2,916
BPC 31-1/3E		1/3	\$2,916
BPC 31-1/2E		1/2	\$2,916
BPC 31-3/4E		3/4	\$2,916
BPC 31-1E		1	\$2,916
BPC 31-1.5E		1.5	\$2,916
BPC 31-2E		2	\$2,916
BPC 31-3E		3	\$2,916
BPC 31-5E		5	\$2,916
BPC 31-7.5E		7.5	\$2,988
BPC 31-10E		10	\$2,988
BPC 31-15E		15	\$3,108
BPC 31-20E		20	\$3,108
BPC 31-25E		25	\$3,108
BPC 31-30E		30	\$3,768
BPC 31-40E		40	\$3,918
BPC 31-50E		50	\$3,918
BPC 31-60E		60	\$6,400
BPC 31-75E	75	\$6,400	
BPC 31-100E	100	\$6,400	

Simplex, Duplex, Triplex Booster, Sewage, Submersible

Pump Controller Catalog Numbering System Booster Pump Controller - BPC41 - Quadraplex

Catalog Number Selection Chart - Pump Controllers

Catalog Number	Voltage	Hp	Price
BPC 41-1/4A	200-208V 60 HZ	1/4	\$3,238
BPC 41-1/3A		1/3	\$3,238
BPC 41-1/2A		1/2	\$3,238
BPC 41-3/4A		3/4	\$3,238
BPC 41-1A		1	\$3,238
BPC 41-1.5A		1.5	\$3,238
BPC 41-2A		2	\$3,238
BPC 41-3A		3	\$3,238
BPC 41-5A		5	\$3,238
BPC 41-7.5A		7.5	\$3,238
BPC 41-10A		10	\$3,508
BPC 41-15A		15	\$3,658
BPC 41-20A		20	\$4,318
BPC 41-25A		25	\$4,318
BPC 41-30A		30	\$4,618
BPC 41-40A		40	\$6,950
BPC 41-50A		50	\$7,450
BPC 41-60A		60	\$13,650
BPC 41-75A		75	\$13,650
BPC 41-100A		100	\$16,650
BPC 41-1/4B	220-240V 60 HZ	1/4	\$3,238
BPC 41-1/3B		1/3	\$3,238
BPC 41-1/2B		1/2	\$3,238
BPC 41-3/4B		3/4	\$3,238
BPC 41-1B		1	\$3,238
BPC 41-1.5B		1.5	\$3,238
BPC 41-2B		2	\$3,238
BPC 41-3B		3	\$3,238
BPC 41-5B		5	\$3,238
BPC 41-7.5B		7.5	\$3,238
BPC 41-10B		10	\$3,358
BPC 41-15B		15	\$3,358
BPC 41-20B		20	\$4,318
BPC 41-25B		25	\$4,318
BPC 41-30B		30	\$4,318
BPC 41-40B		40	\$6,950
BPC 41-50B		50	\$7,150
BPC 41-60B		60	\$13,650
BPC 41-75B		75	\$13,650
BPC 41-100B		100	\$13,650
BPC 41-1/4C	380-415V 50 / 60 HZ	1/4	\$3,166
BPC 41-1/3C		1/3	\$3,166
BPC 41-1/2C		1/2	\$3,166
BPC 41-3/4C		3/4	\$3,166
BPC 41-1C		1	\$3,166
BPC 41-1.5C		1.5	\$3,166
BPC 41-2C		2	\$3,166
BPC 41-3C		3	\$3,166
BPC 41-5C		5	\$3,166
BPC 41-7.5C		7.5	\$3,238
BPC 41-10C		10	\$3,238
BPC 41-15C		15	\$3,358
BPC 41-20C		20	\$3,358
BPC 41-25C		25	\$3,358
BPC 41-30C		30	\$4,318
BPC 41-40C		40	\$4,318
BPC 41-50C		50	\$4,318
BPC 41-60C		60	\$6,950
BPC 41-75C		75	\$6,950
BPC 41-100C		100	\$13,650

Catalog Number Selection Chart - Pump Controllers

Catalog Number	Voltage	Hp	Price
BPC 41-1/4D	440-480V 60 HZ	1/4	\$3,166
BPC 41-1/3D		1/3	\$3,166
BPC 41-1/2D		1/2	\$3,166
BPC 41-3/4D		3/4	\$3,166
BPC 41-1D		1	\$3,166
BPC 41-1.5D		1.5	\$3,166
BPC 41-2D		2	\$3,166
BPC 41-3D		3	\$3,166
BPC 41-5D		5	\$3,166
BPC 41-7.5D		7.5	\$3,238
BPC 41-10D		10	\$3,238
BPC 41-15D		15	\$3,358
BPC 41-20D		20	\$3,358
BPC 41-25D		25	\$3,358
BPC 41-30D		30	\$4,318
BPC 41-40D		40	\$4,318
BPC 41-50D		50	\$4,318
BPC 41-60D		60	\$6,950
BPC 41-75D		75	\$6,950
BPC 41-100D		100	\$6,950
BPC 41-1/4E	550-600V 60 HZ	1/4	\$3,166
BPC 41-1/3E		1/3	\$3,166
BPC 41-1/2E		1/2	\$3,166
BPC 41-3/4E		3/4	\$3,166
BPC 41-1E		1	\$3,166
BPC 41-1.5E		1.5	\$3,166
BPC 41-2E		2	\$3,166
BPC 41-3E		3	\$3,166
BPC 41-5E		5	\$3,166
BPC 41-7.5E		7.5	\$3,238
BPC 41-10E		10	\$3,238
BPC 41-15E		15	\$3,358
BPC 41-20E		20	\$3,358
BPC 41-25E		25	\$3,358
BPC 41-30E		30	\$4,018
BPC 41-40E		40	\$4,318
BPC 41-50E		50	\$4,318
BPC 41-60E		60	\$6,950
BPC 41-75E		75	\$6,950
BPC 41-100E		100	\$6,950

February 2009

Simplex, Duplex, Triplex Booster, Sewage, Submersible

Manufacturing

Flexible Production Capabilities

Our independent demand production area allows us to provide single, custom controllers, while our lean manufacturing assembly lines give us the capability to process large volume requests.

Testing

All custom Pump Controllers are tested in-house by one of our certified test technicians before being packed and shipped.

Design

Standard controller models and operating programs have been designed and developed in-house by our technical support specialists.

Controllers with extra or non-standard features can be designed from your existing specifications. As well, custom engineered solutions can be produced for your application.

Field Coverage and Support

Local Representation

In the United States, Eaton Cutler-Hammer provides local support through our network of Pump Controller factory trained agents.

Start Up

Each agent is available for local sales and technical support including on-site start up assistance.

Spare Parts

All Eaton Cutler-Hammer authorized agents have quick access to spare parts for emergency situations.

Note:

For support in territories where there are no Eaton Cutler-Hammer authorized sales agents, please contact the factory direct.

Application Support

Factory Location

The Eaton Cutler-Hammer support team is located in our Pump Controller manufacturing facility, which allows for improved communication and a reduction in errors and delays.

Territory Assigned

Each technical support Product Specialist is assigned to a specific territory to ensure continuity of efforts.

Quotations

All requests for quotes are reviewed and processed within 48 hours of receipt.

Email

Email responses are returned within 24 hours of receipt.

Delivery

Standard Delivery

Standard delivery on all styles of Pump Controllers is 2-3 weeks.

Flexible

Rush or improved delivery times can be accommodated by contacting Cutler-Hammer.

Fire Pump Controller Family

FD20

Limited Service Controller



FT SERIES

Transfer Switches



FD30

Across-the-Line



FD120

Diesel Engine Controllers



FD40

Part Winding



FDM

Medium Voltage Controllers



FD50

Primary Resistor



FDF

Foam Pump Controllers



FD60

Autotransformer



FDV

Variable Speed Controllers

FD70

WYE DELTA (Star-Delta)
Open Transition



FDR

Residential
Controllers



FD80

WYE DELTA (Star-Delta)
Closed Transition



FDJP / JY

Jockey Pump
Controllers



FD90

Soft Start



FDAP-M

Remote Alarm
Panels



For more information on Eaton Cutler-Hammer Fire Pump Controllers, email us at chcfirepump@eaton.com or call us at 1-877-860-7955.