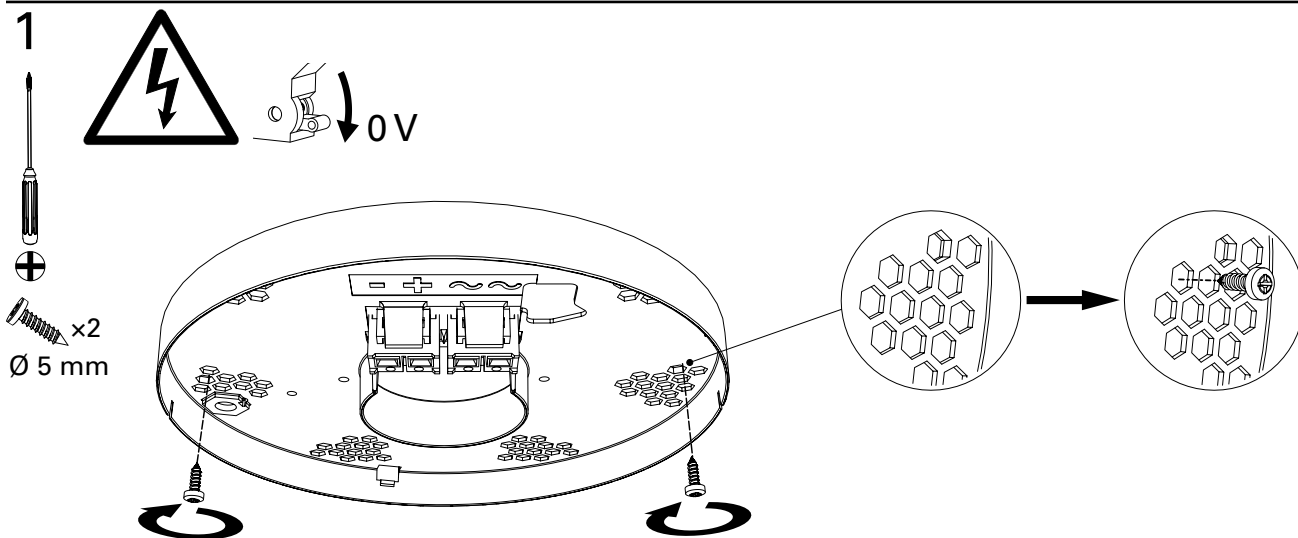
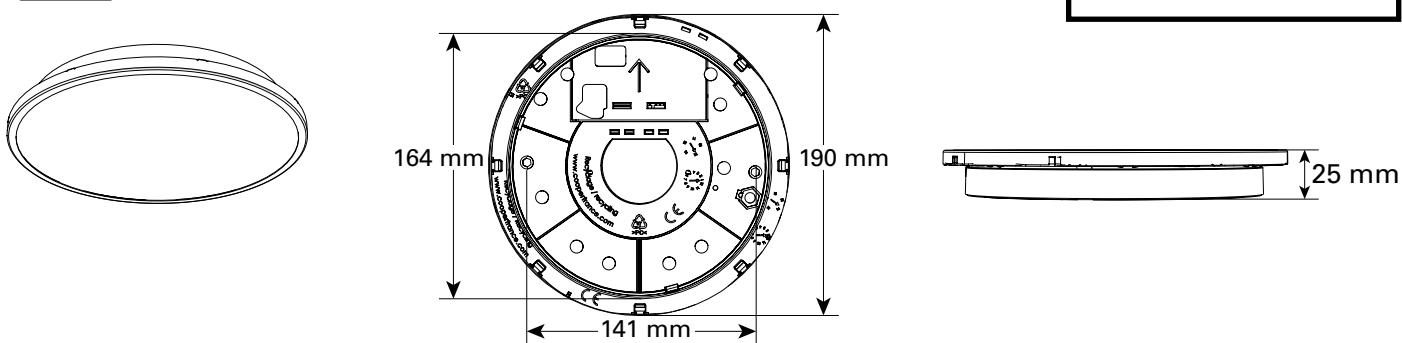
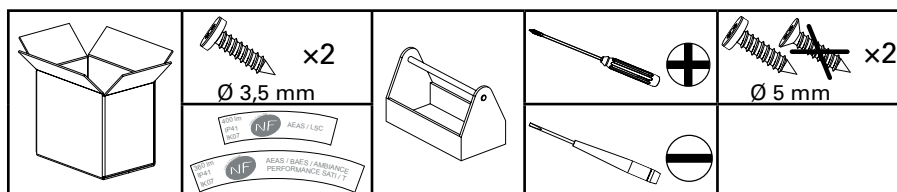
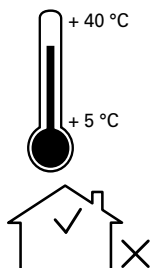


# PLANETE 400 DISC ADR CGLine+

+ centrale de gestion web/web-controller ADR 1L511/CGLine+

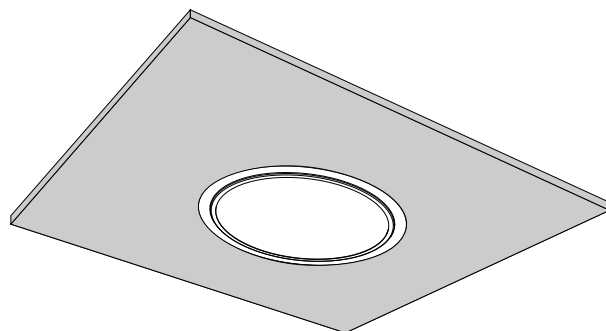


www.lcie.fr

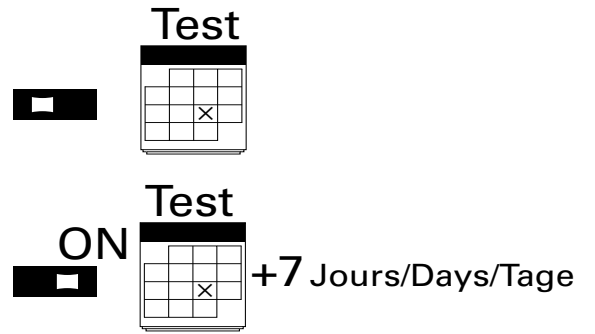
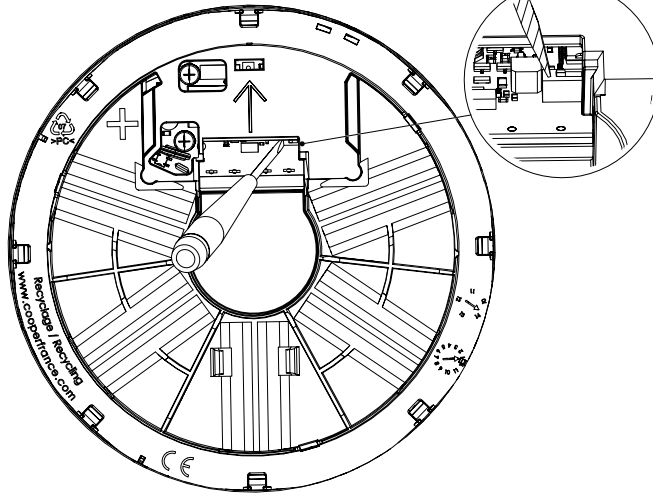


+ option Kit d'encastrement/False ceiling kit/Deckeneinbau-Kit

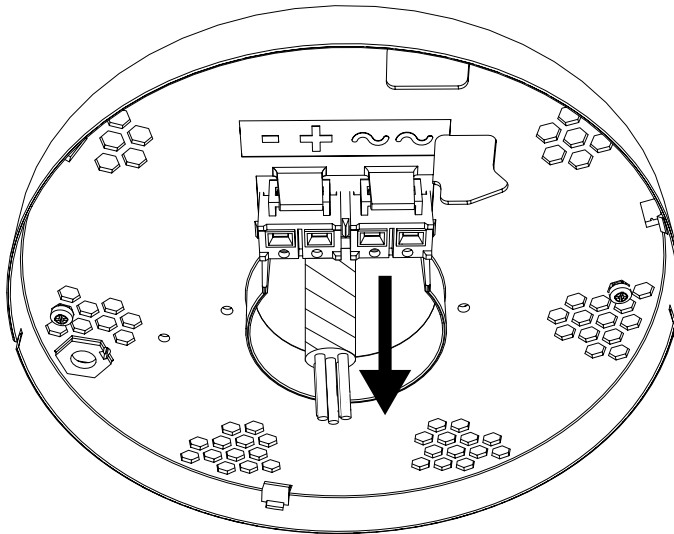
LUM10541/  
LUM10541 COL



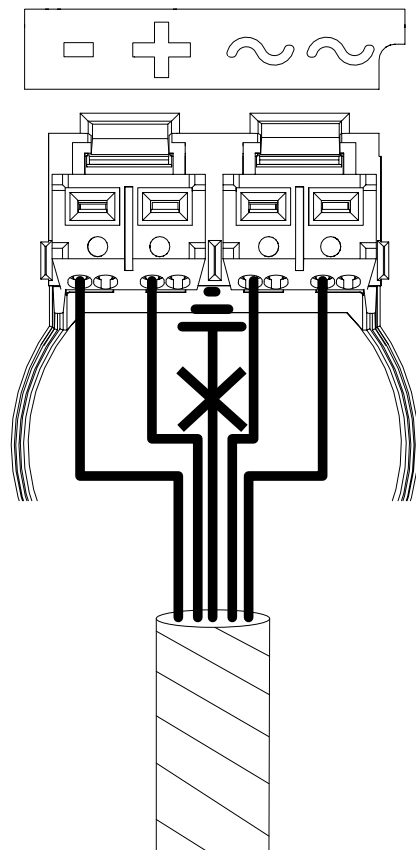
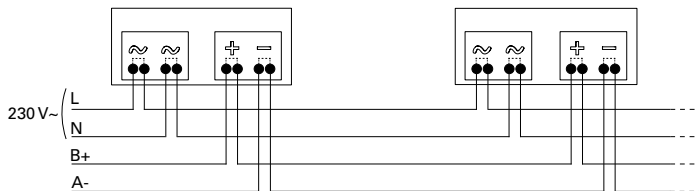
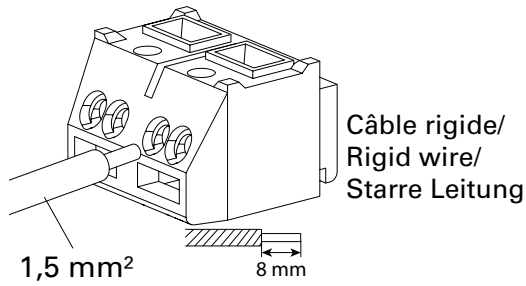
2 a.



b.

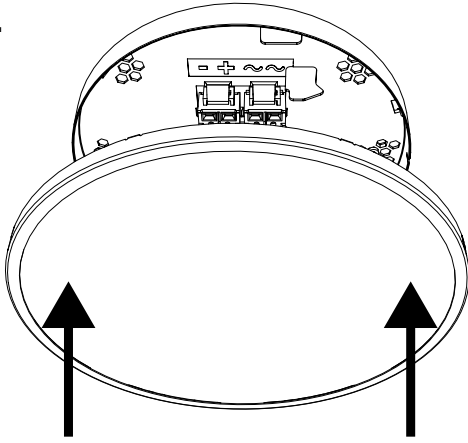


c.

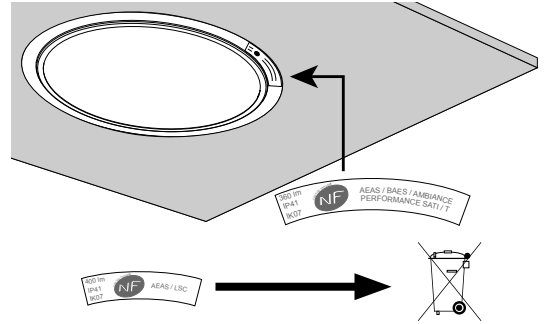


3

a.



b. option LUM10541/  
LUM10541 COL

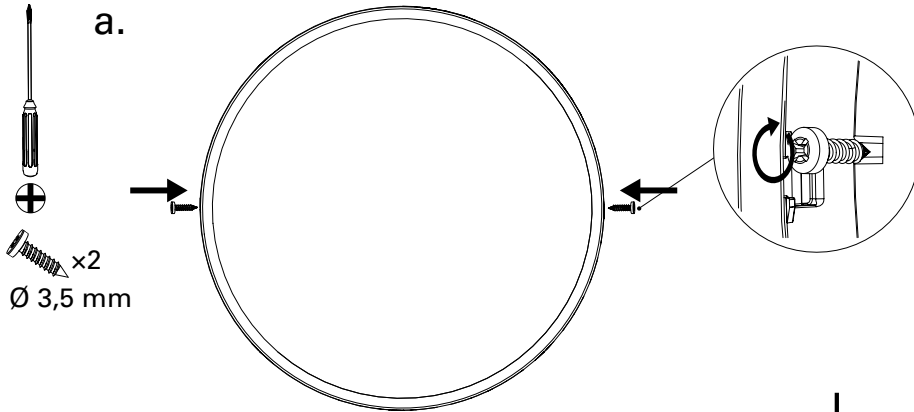


FR : [www.recylum.com](http://www.recylum.com)

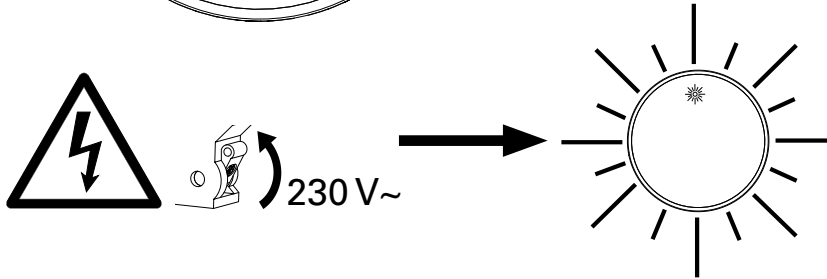
4

IK07

a.

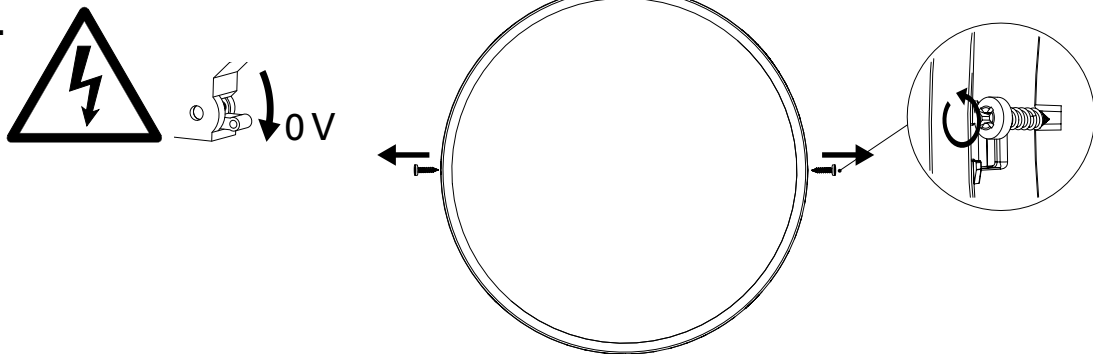


b.

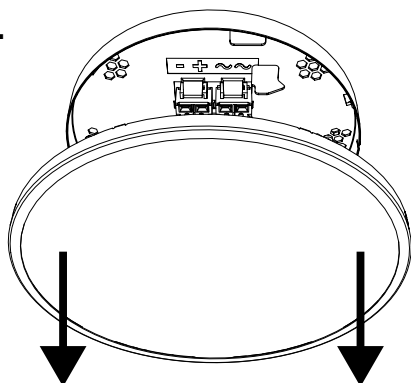


### Démontage/Disassembling/Demontage

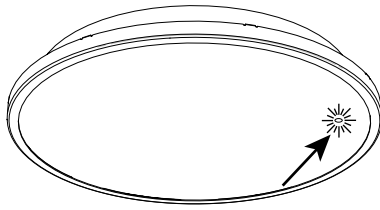
a.



b.



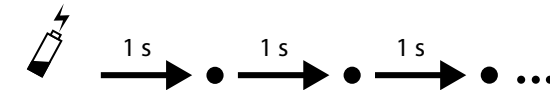
# Autotest / SATI



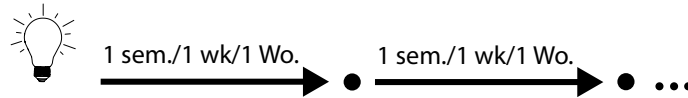
V/G/Gr		OK
V/G/Gr		Test
V/J / G/Y / Gr/Ge		·)))))) com/com/kom
J/Y/Ge		2 s
J/Y/Ge		0,5 s

## Test

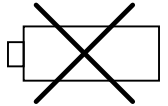
charge/charge/Ladung



lampe/lamp/Lampe

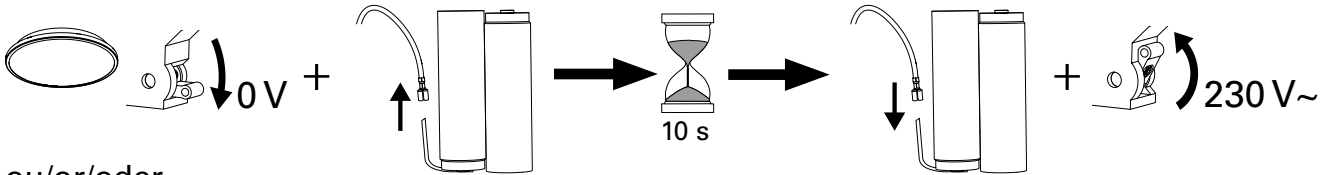


batterie/battery/Batterie

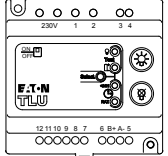


À remplacer/  
To be replaced/  
Zu ersetzen Ref. LUM11054

## Programmation de l'heure des tests/Test hour programming/Testdatumprogrammierung



ou/or/oder



TLU  
LUM10312



NF

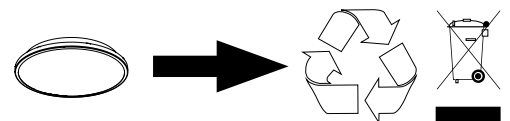


EN

FR



PLANETE 400 DISC ADR CGLINE+	LUM17144	T16003								
			IP 41 / IK 07	Pack 10 x 1.2V / 600mAh ECOSAFE by SAFT LUM11054	1	360 lm 8 x LED 3 V 180 mA	U P 230 VAC 50-60 Hz 1.5 W		EN 60598.1 EN 60598.2.22	NFC 71801 C 71820-1 (NFEN 62034) NF 413
Vis inviolable/Anti-theft screw/Diebstahlschutzschraube	LUM10490									
Kit de suspension/Safety hanging system/Pendelsatz	CAP008893									



FR : [www.recylum.com](http://www.recylum.com)

