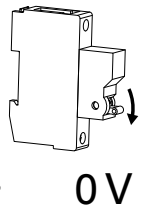
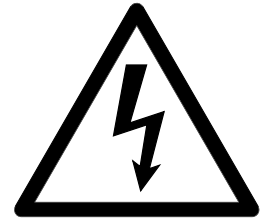
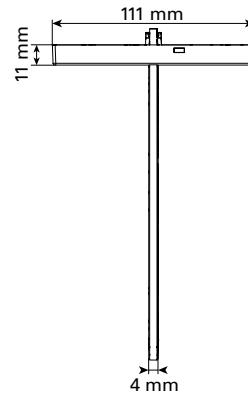
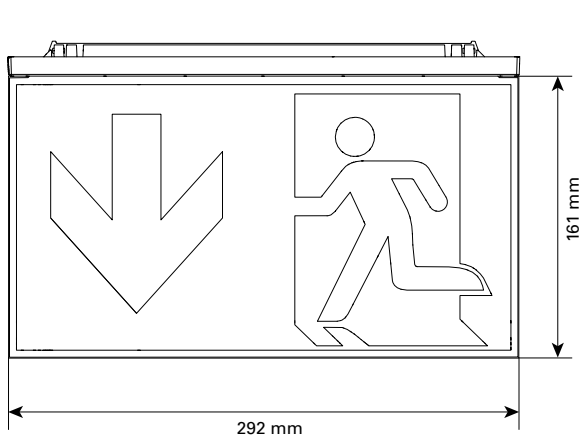


NexiTech LED IP40
Panel ISO Lite

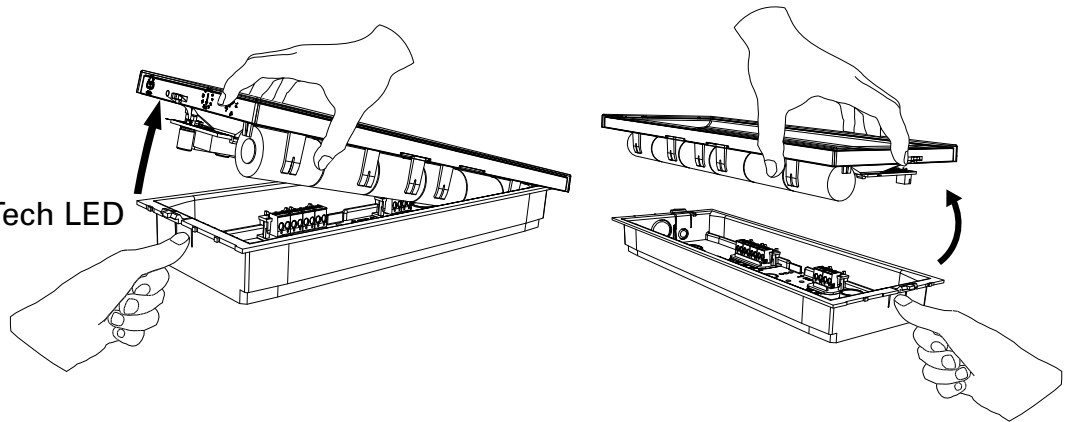


 		 2xØ 5 mm	
		 #2	
		 Ø 5 mm	 #2



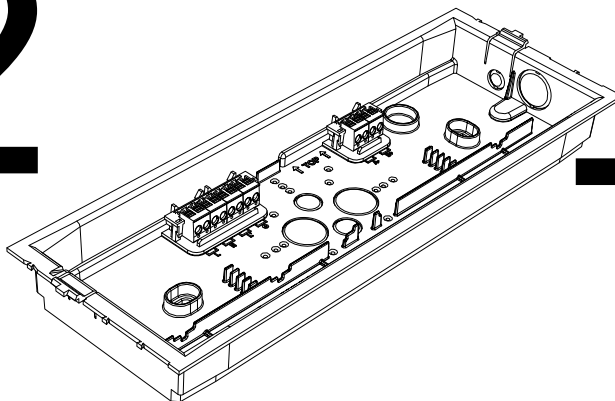
1

NexiTech LED



2

NexiTech LED

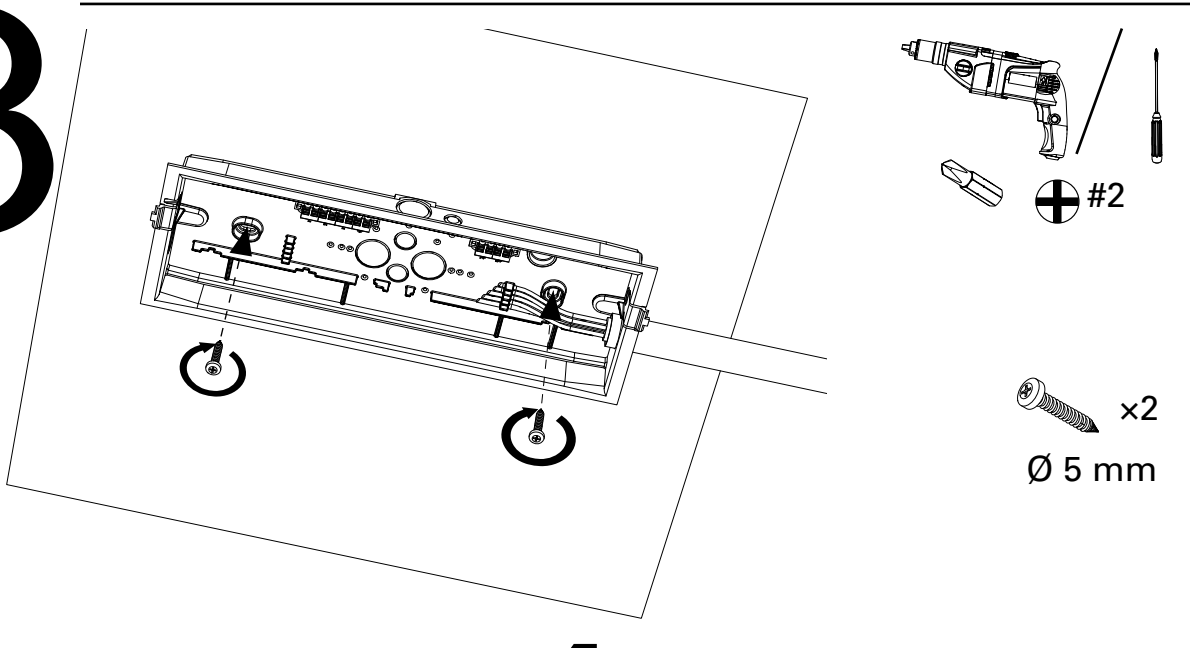


Cabling instructions



See NexiTech LED, 2

3



4

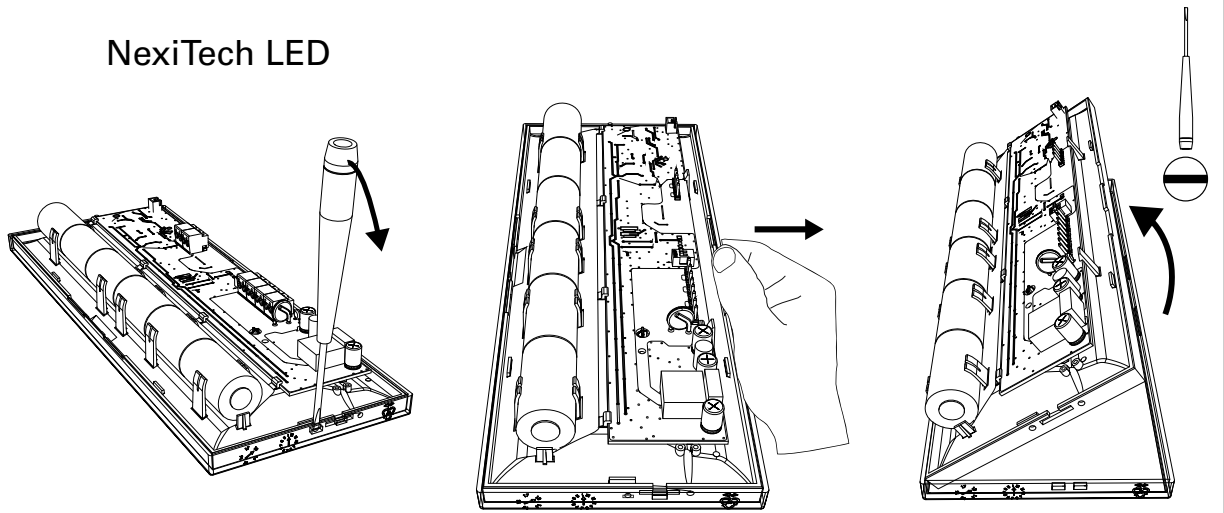
Electrical connections instructions



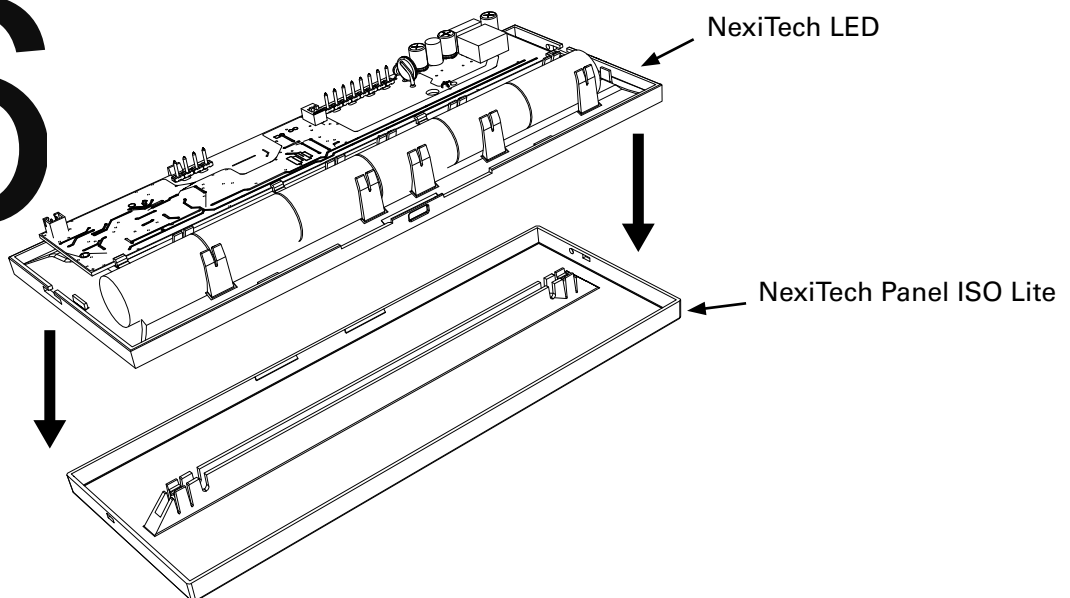
See NexiTech LED, 4

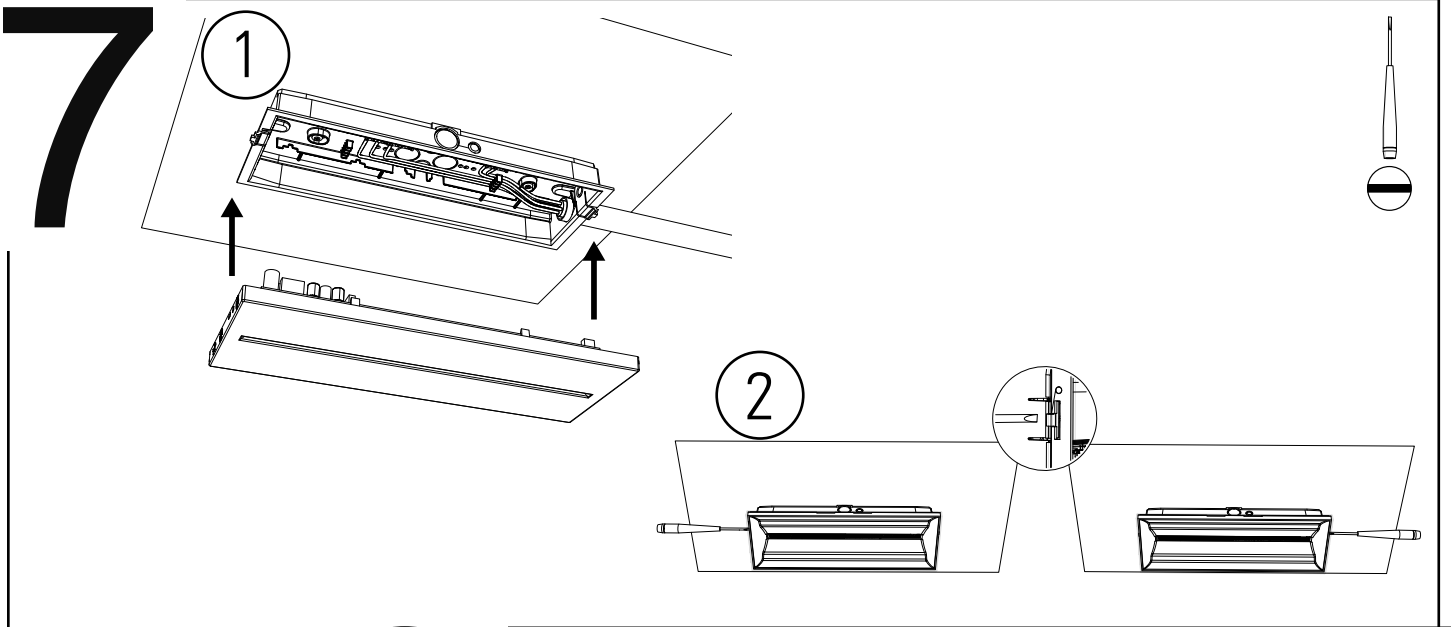
5

NexiTech LED

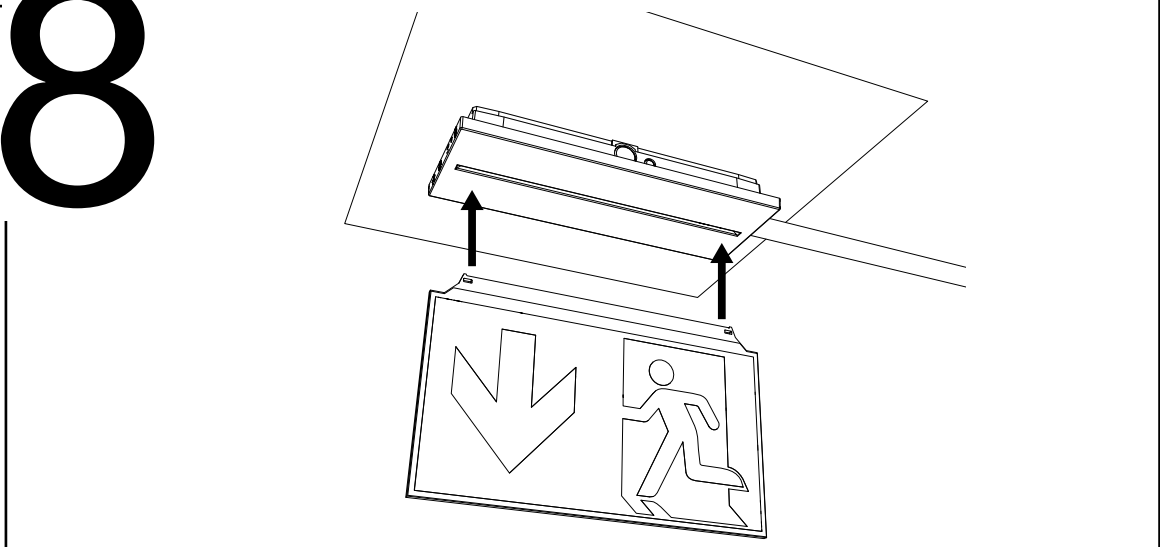


6

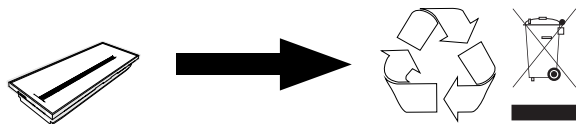
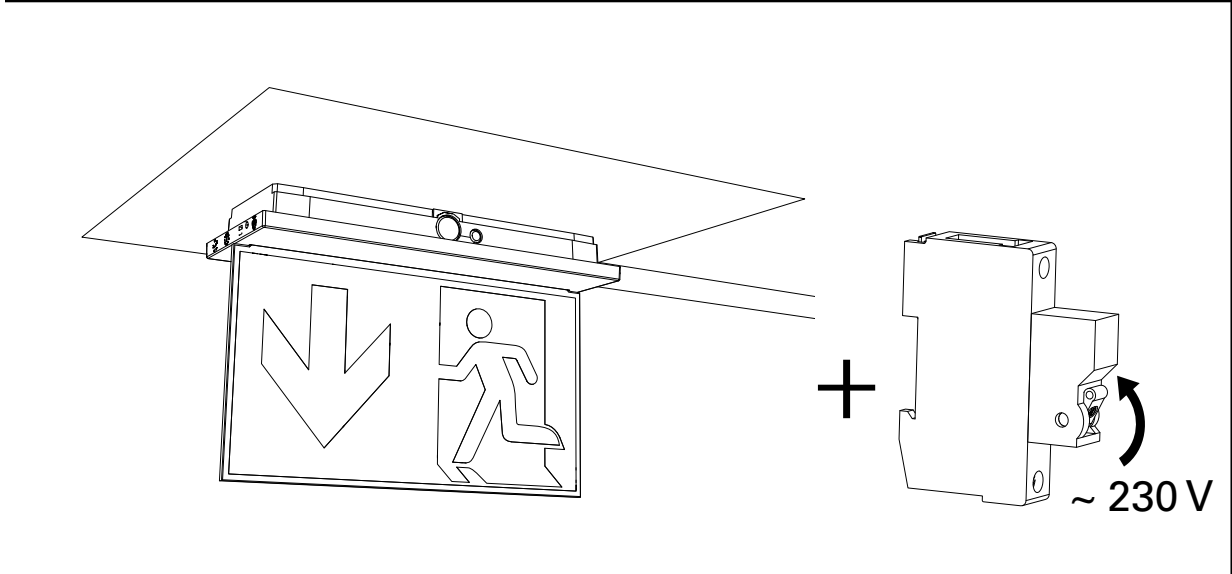




8



9



Powering Business Worldwide

Eaton
Cooper CSA Srl
Via Antonio Meucci, 10
20094 Corsico (Mi) - ITALY
Technical Service
www.coopercsa.it/it/nexitechled
www.coopercsa.it
www.eaton.com

© 2014 Eaton
All Rights Reserved



