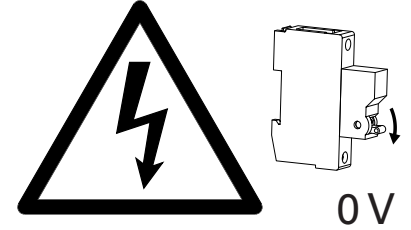
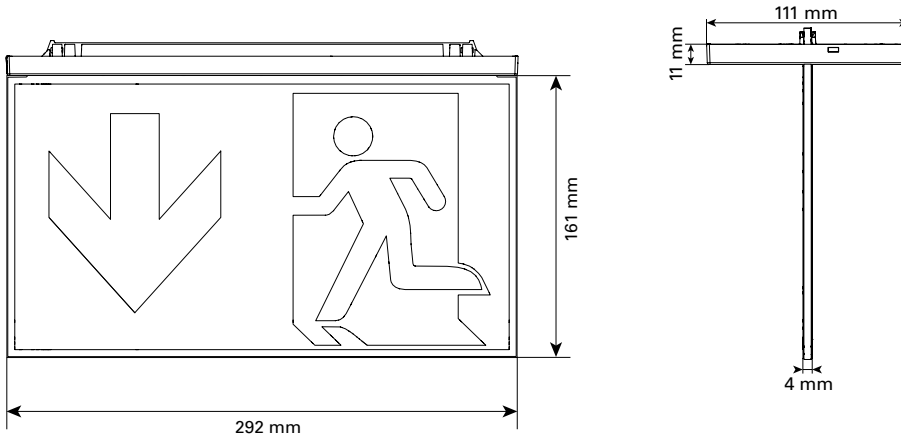
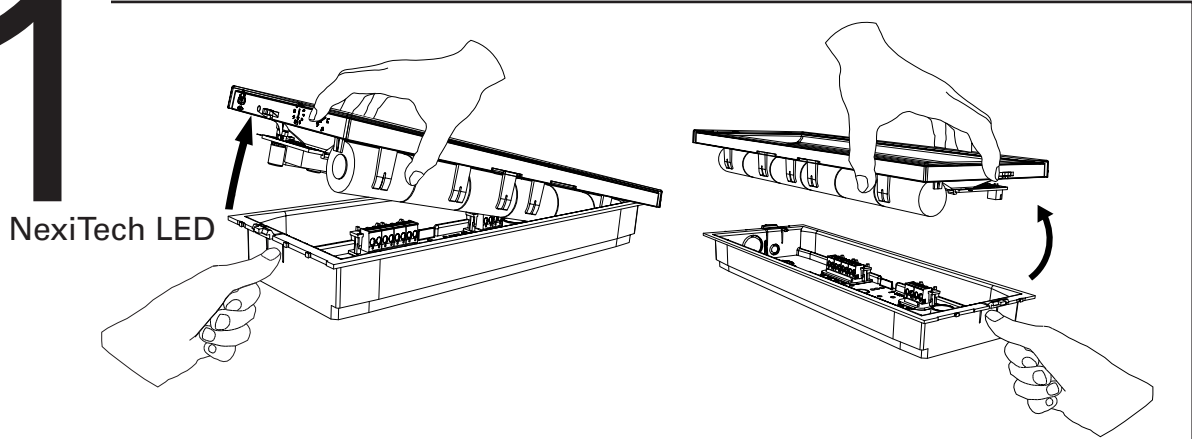


NexiTech LED IP40
Panel ISO EN1838

 		2xØ 5 mm	
		#2	
		#2	
		Ø 5 mm	



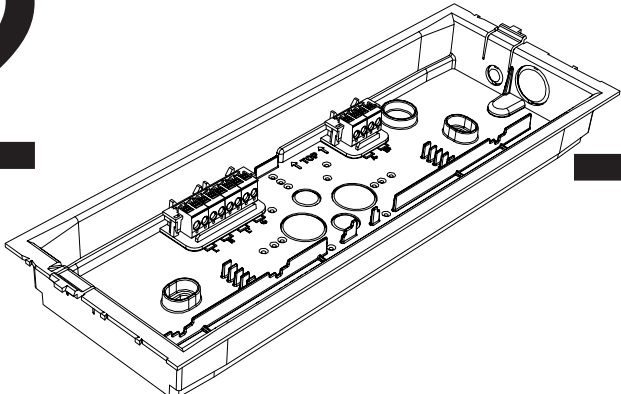
1



NexiTech LED

2

NexiTech LED

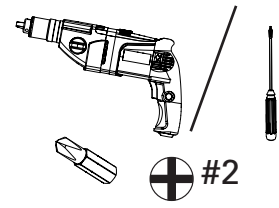
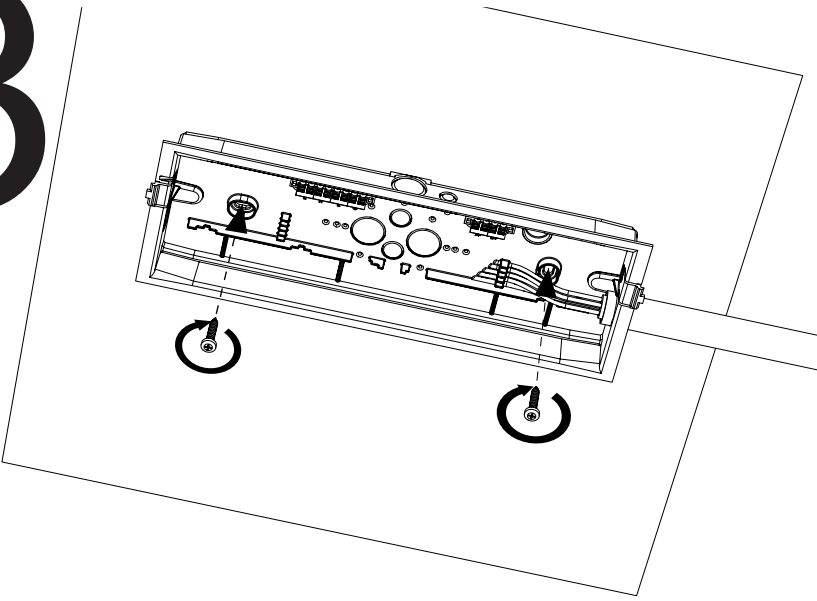


Cabling instructions



See NexiTech LED, 2

3



Ø 5 mm
x2

4

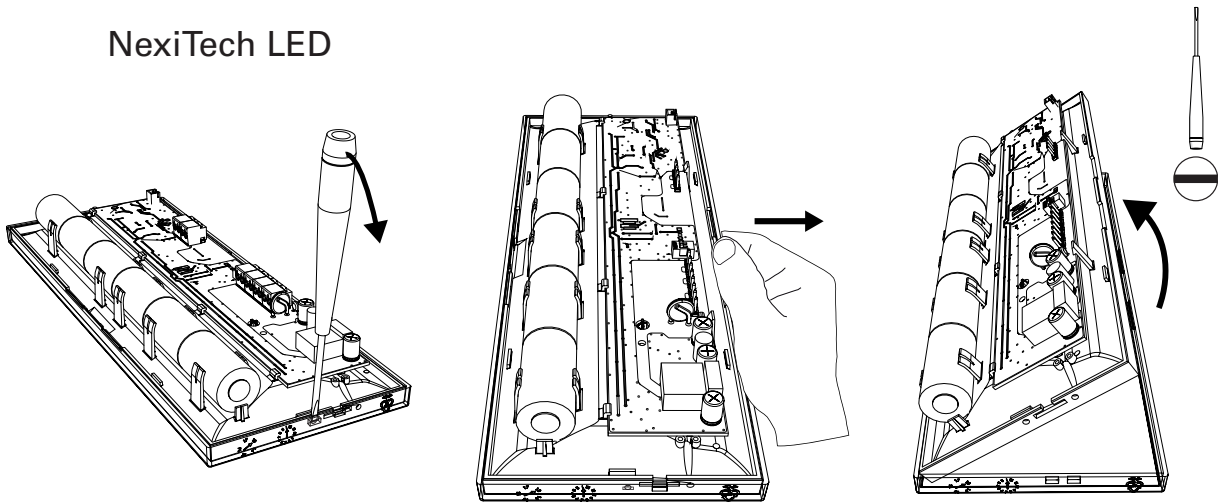
Electrical connections instructions



See NexiTech LED, 4

5

NexiTech LED



6

