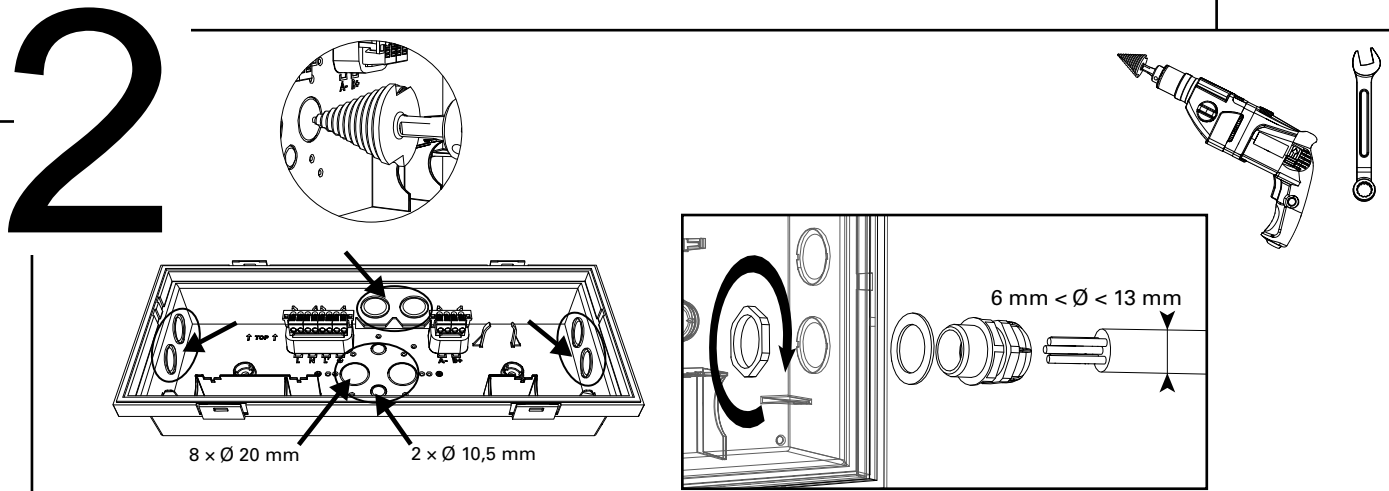
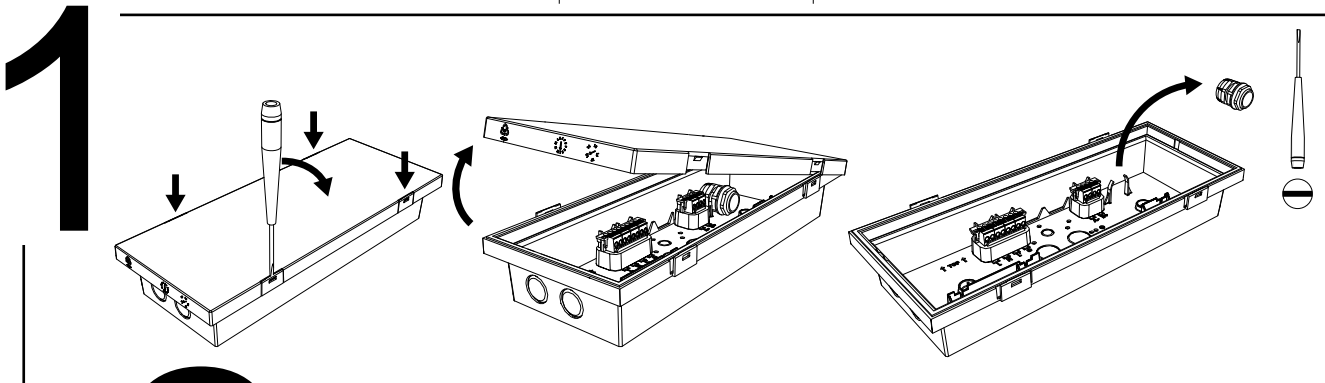
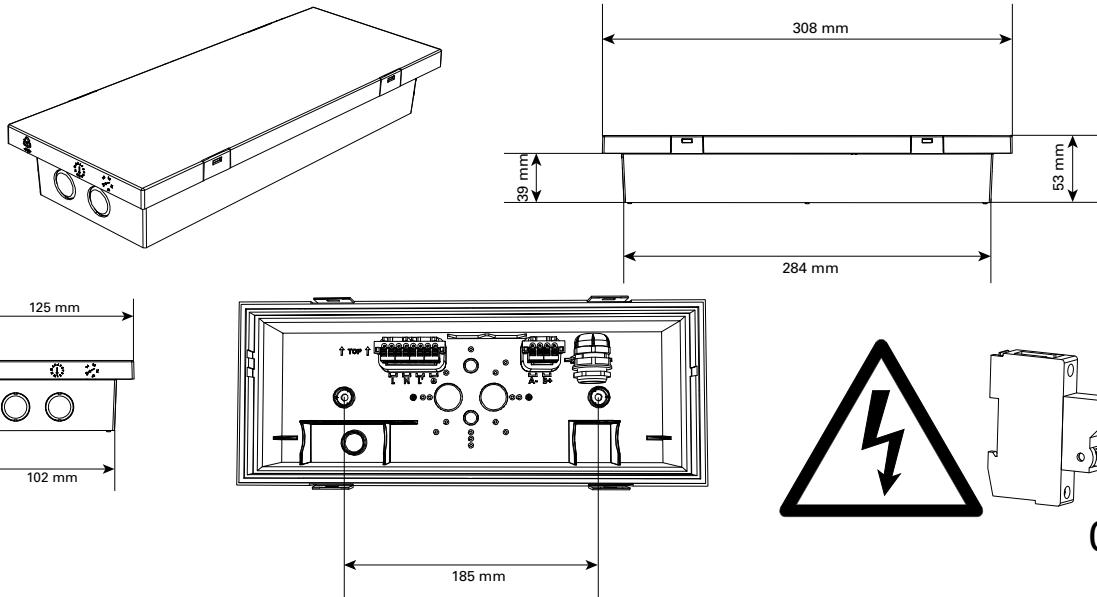


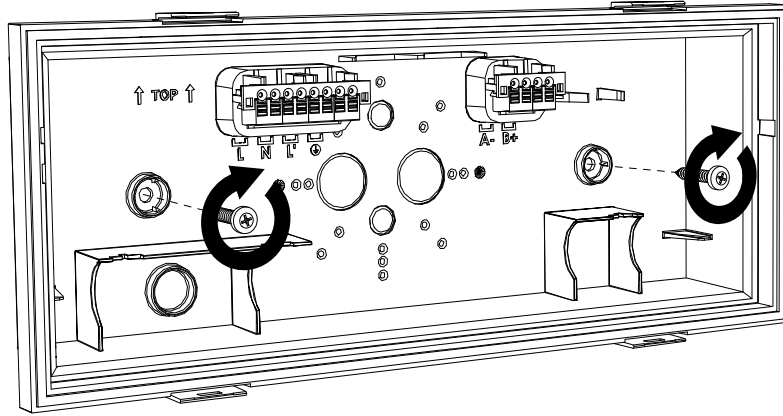
NexiTech LED IP65 Kit



 	 1xCAP222045 1xCAP222094 1xCAP452002		2xØ 5 mm 	24



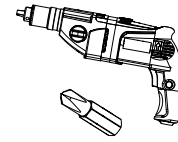
3



x 2
Ø 5 mm



#2



4

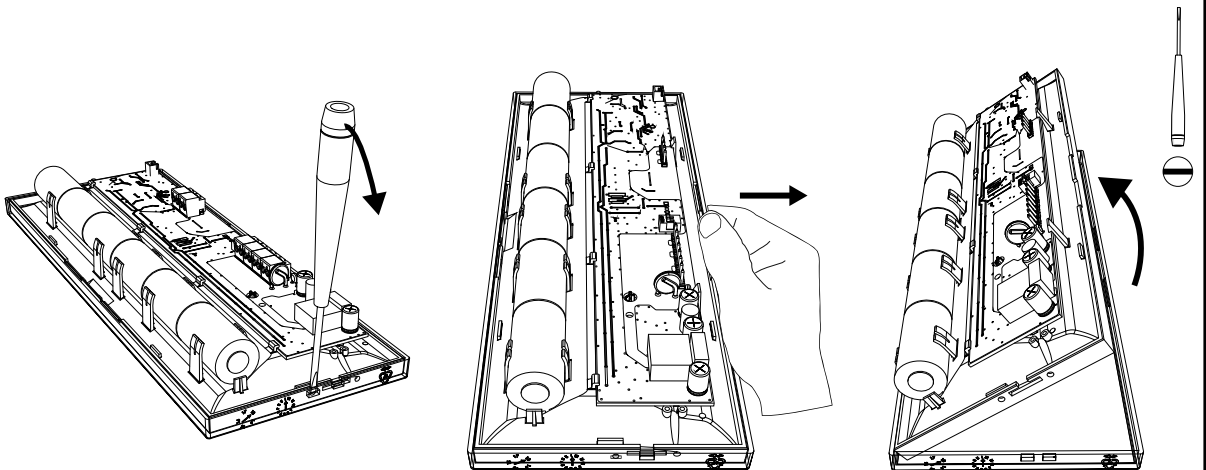
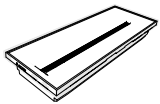
Electrical connections instructions



See NexiTech LED, 4

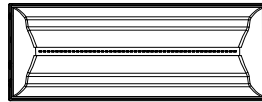
5

NexiTech LED

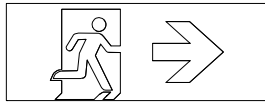


6

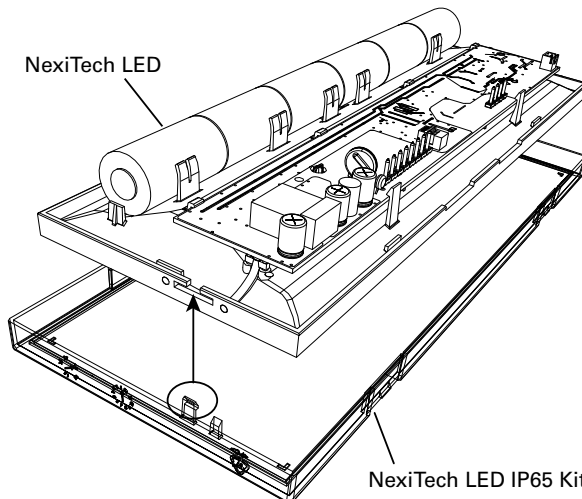
option



+

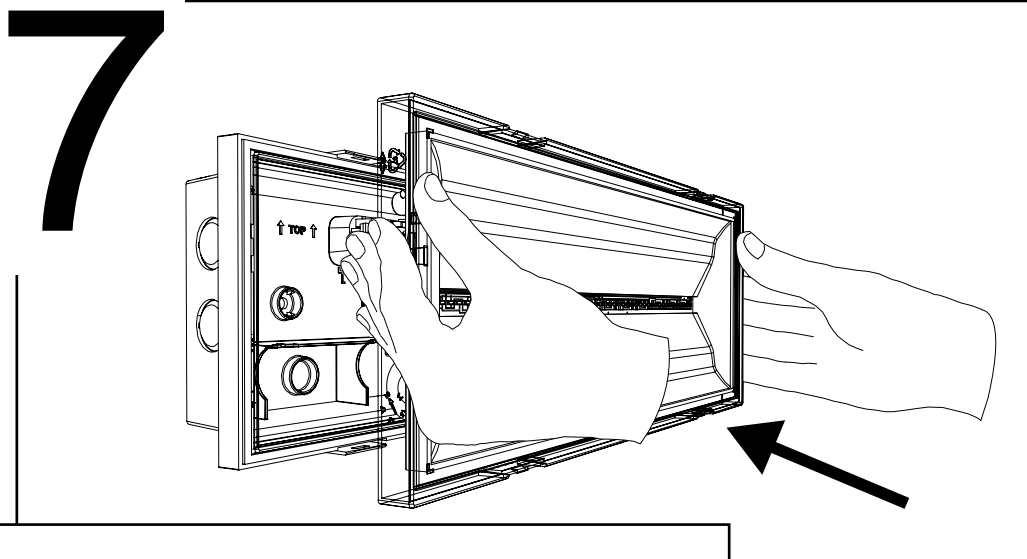


See NexiTech LED, 5



NexiTech LED

NexiTech LED IP65 Kit



8

