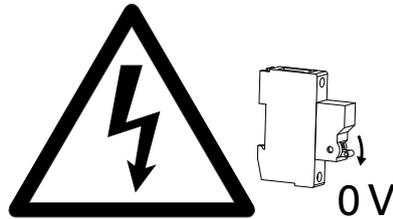
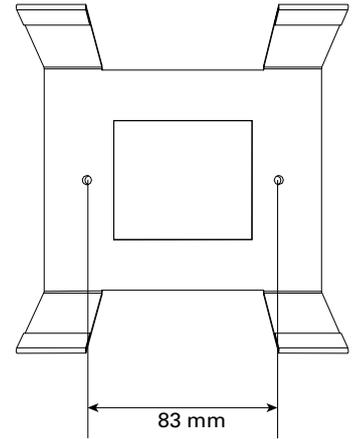
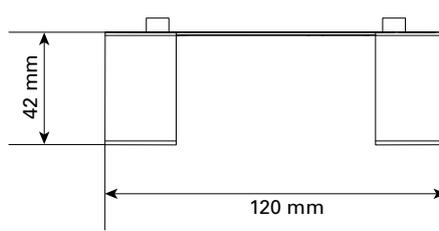
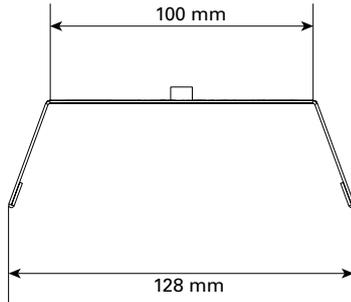
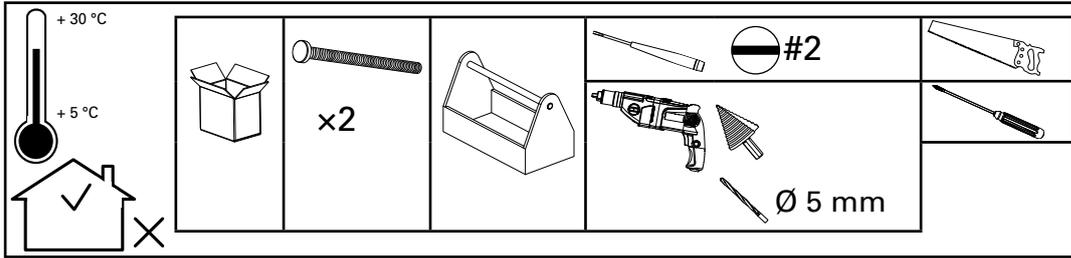
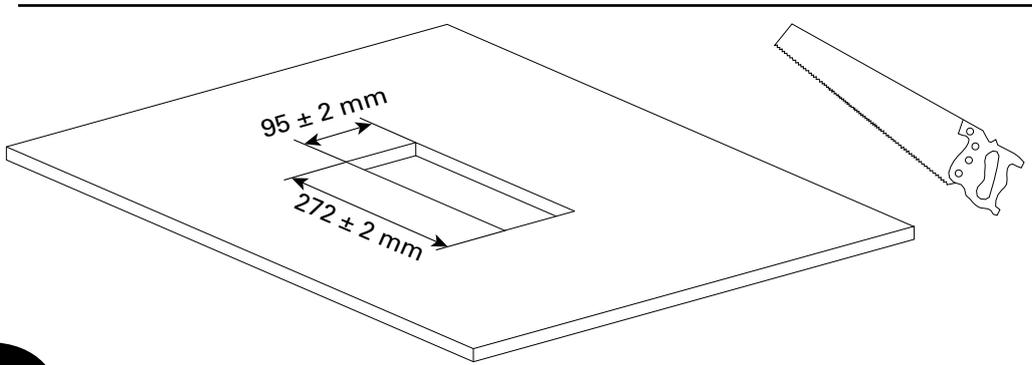


# NexiTech LED False Ceiling Kit

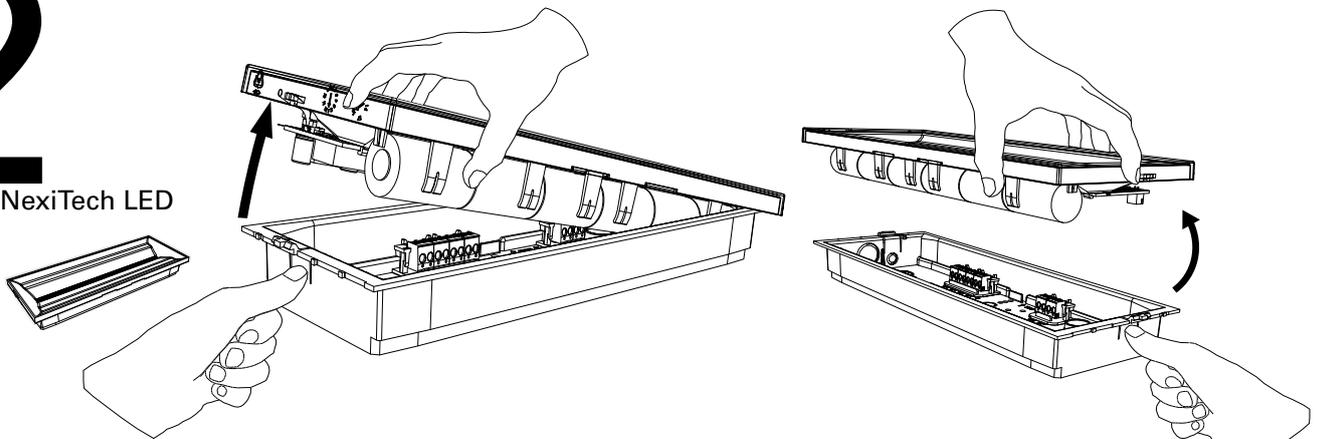


1

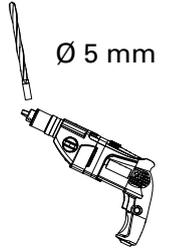
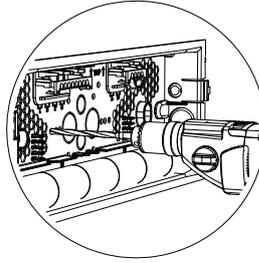
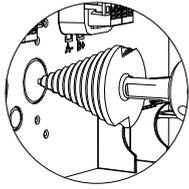


2

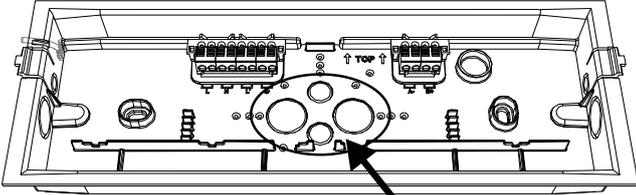
NexiTech LED



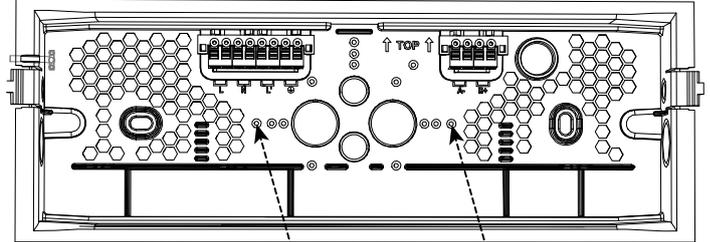
# 3



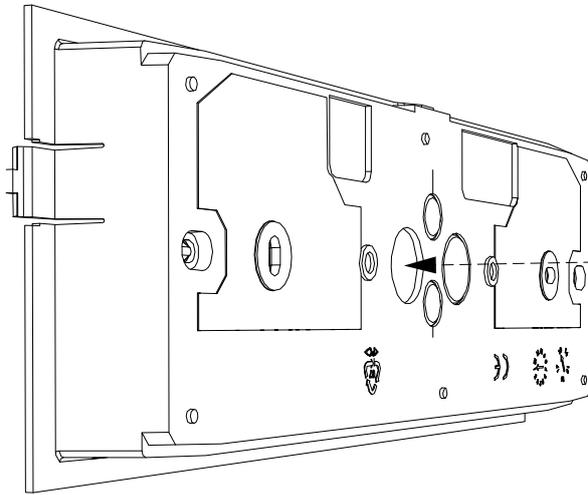
Ø 5 mm



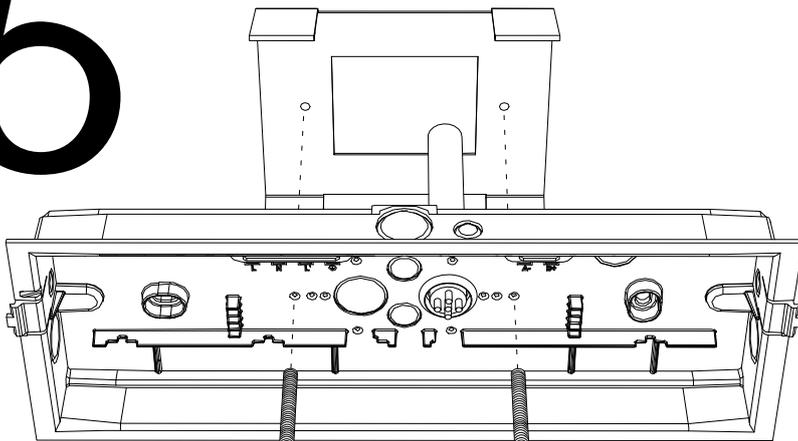
2 x Ø 13 mm  
2 x Ø 20 mm



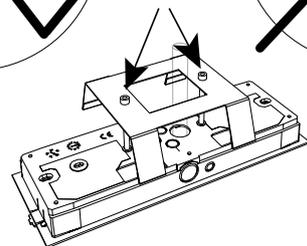
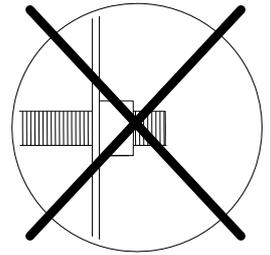
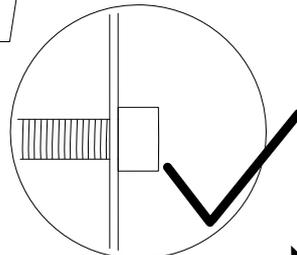
# 4



# 5



2xØ 4 mm  
L = 70 mm



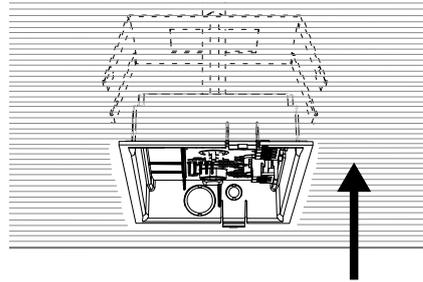
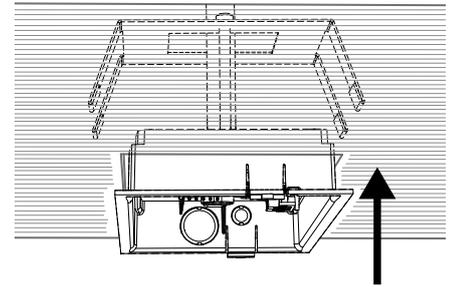
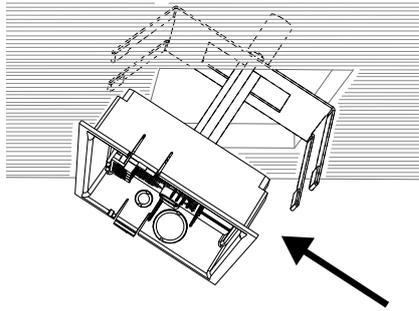
# 6

## Electrical connections instructions

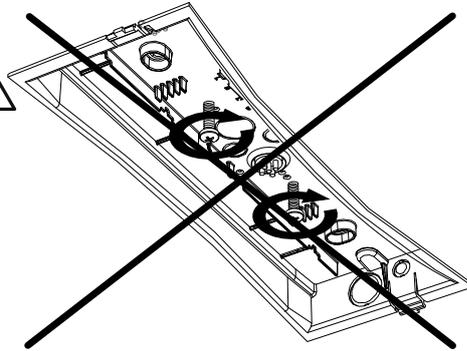
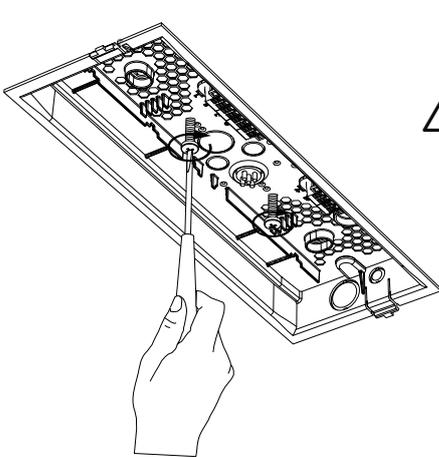


See NexiTech LED, 4

# 7

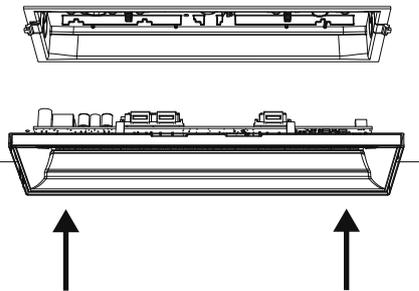


# 8

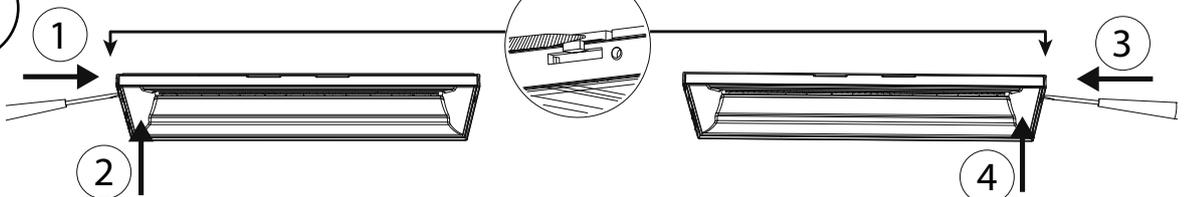


# 9

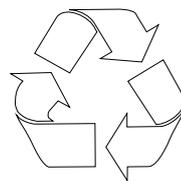
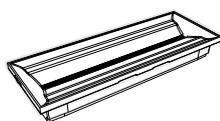
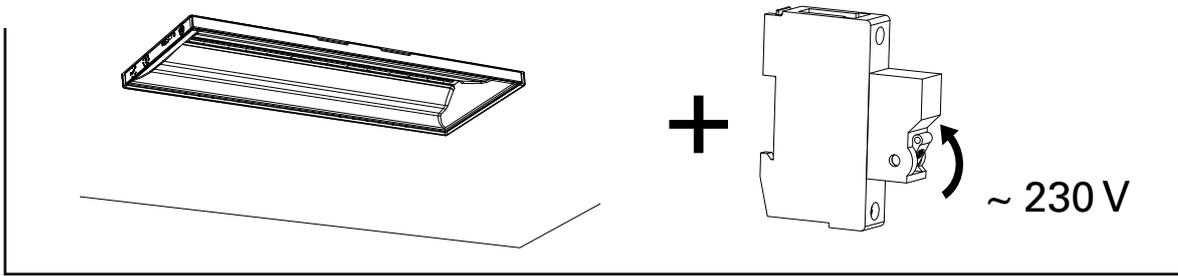
1



2



# 10



Powering Business Worldwide

**Eaton**  
**Cooper CSA Srl**  
Via Antonio Meucci, 10  
20094 Corsico (Mi) - ITALY  
**Technical Service**  
[www.coopercsa.it/it/nexitechled](http://www.coopercsa.it/it/nexitechled)  
[www.coopercsa.it](http://www.coopercsa.it)  
[www.eaton.com](http://www.eaton.com)

© 2014 Eaton  
All Rights Reserved

