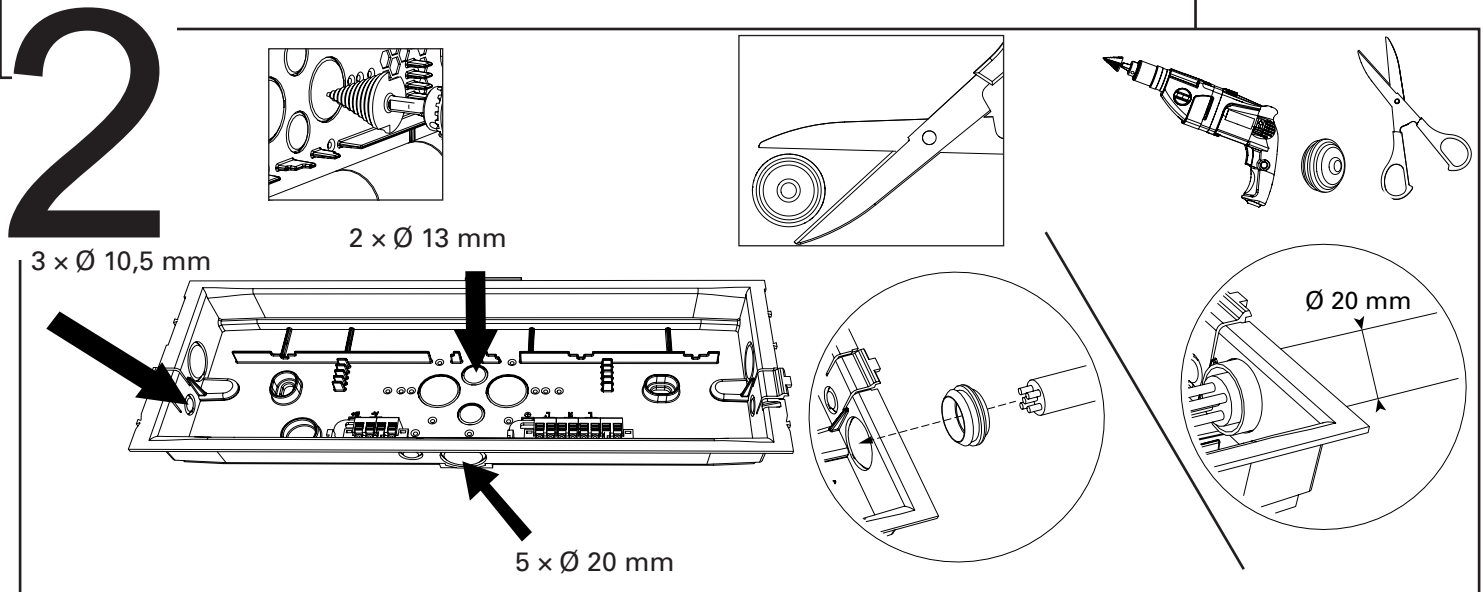
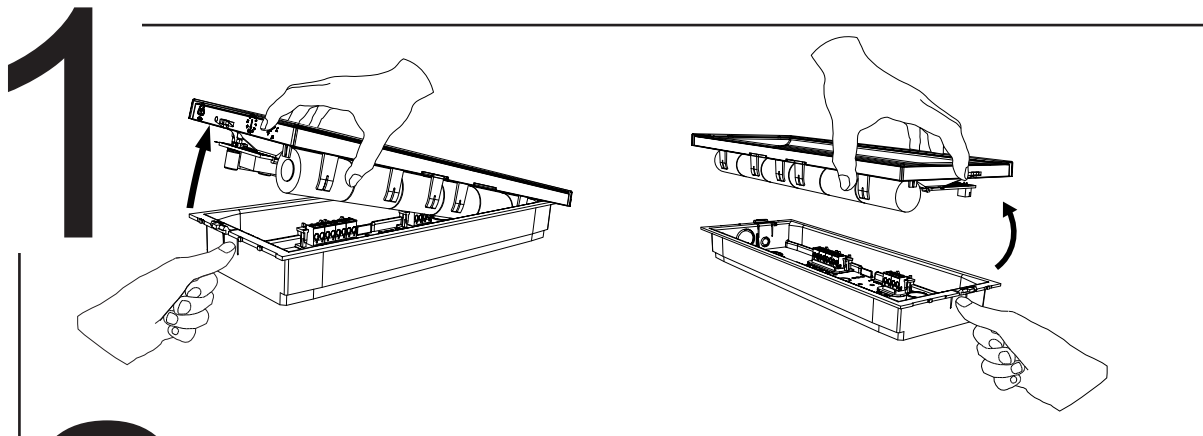
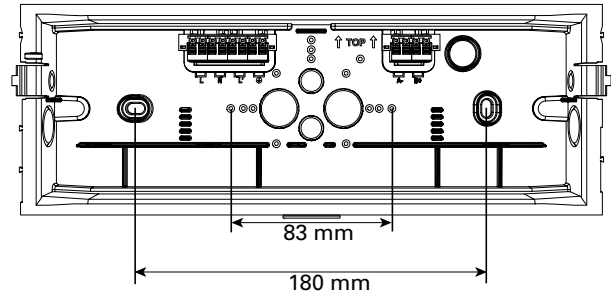
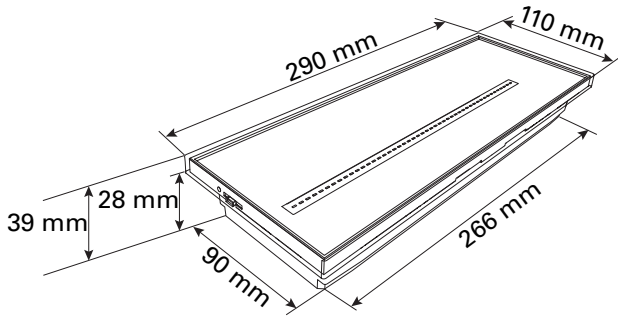


NexiTech LED DOOR 1H30 AT

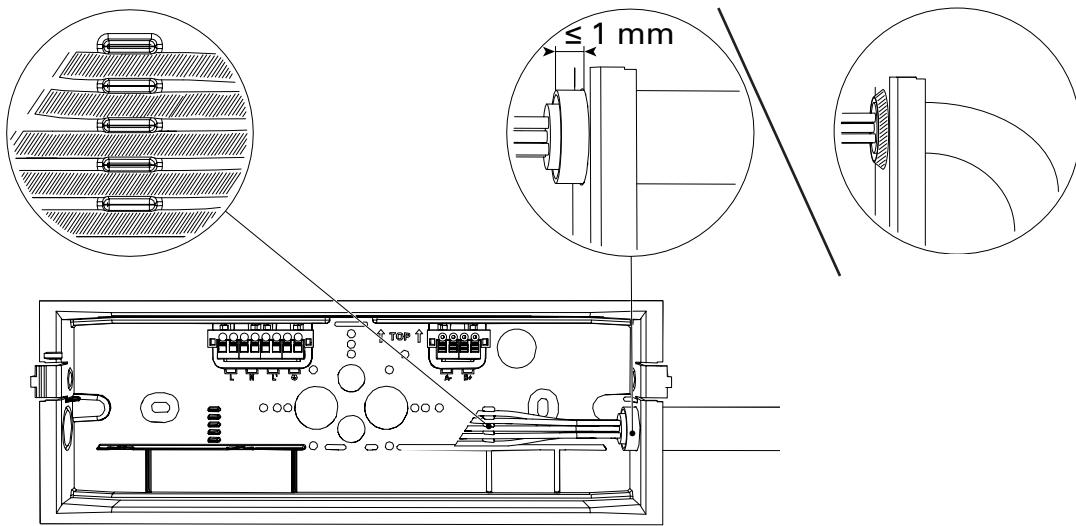


Before use

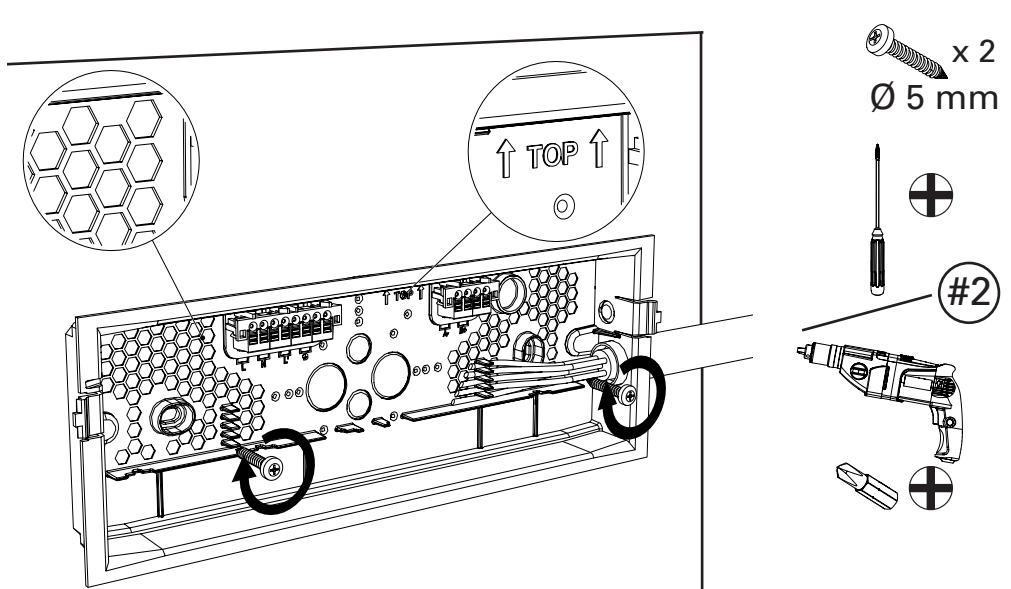
24h



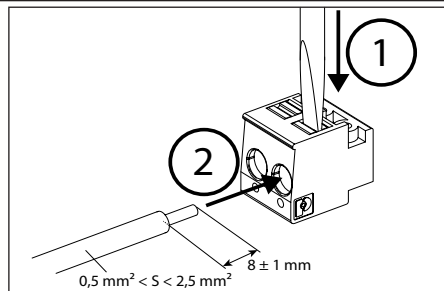
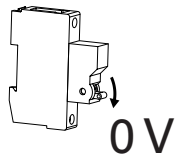
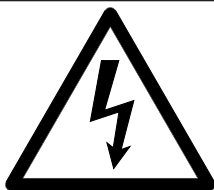
2



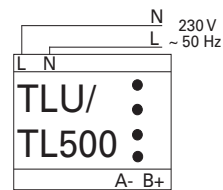
3



4



See
LUM10312 / LUM10313



230 V
~ 50 Hz

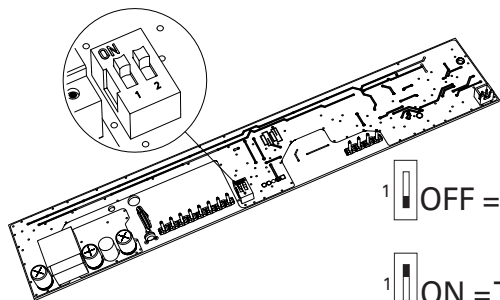
L
N
L

N.M./M.

or



~230V



1 OFF = Test



1 ON = Test



+ 7 d

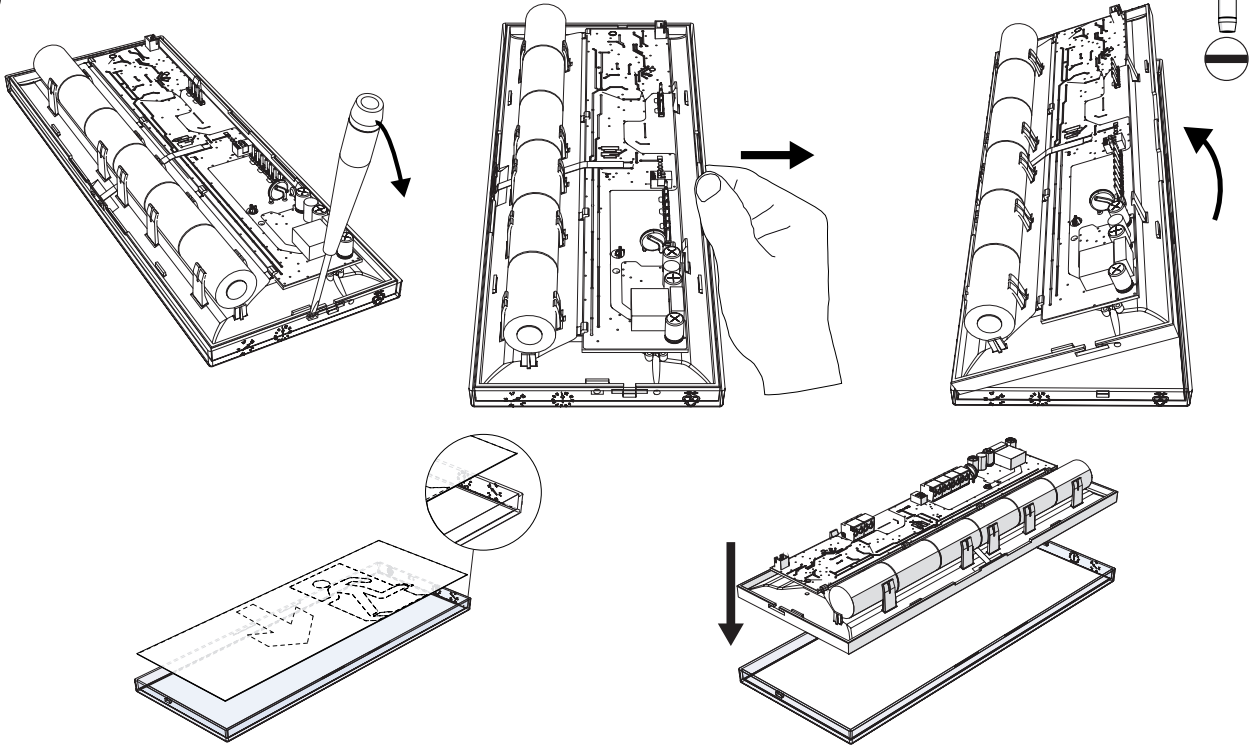
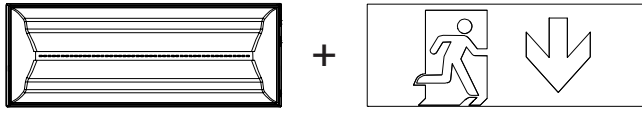
2 230 V OFF N.M.*

2 230 V ON M.*

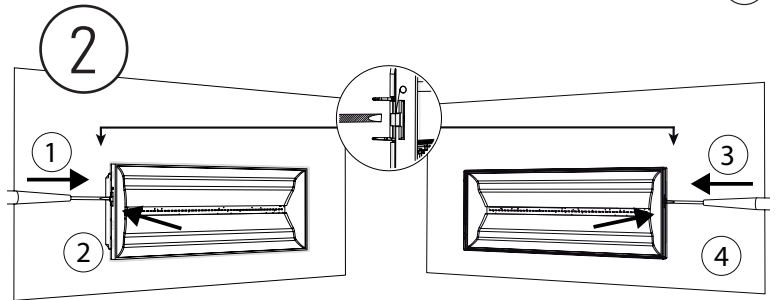
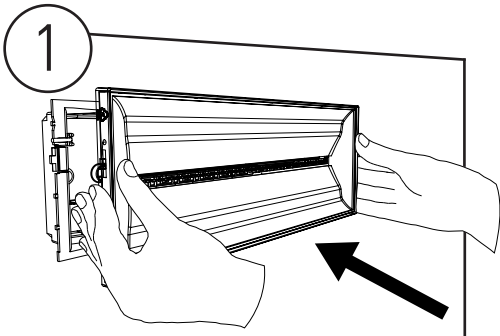
*N.M. Non Maintained
M. Maintained

5

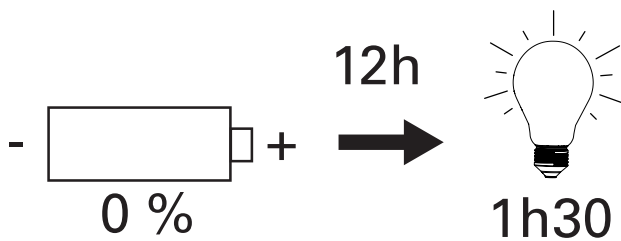
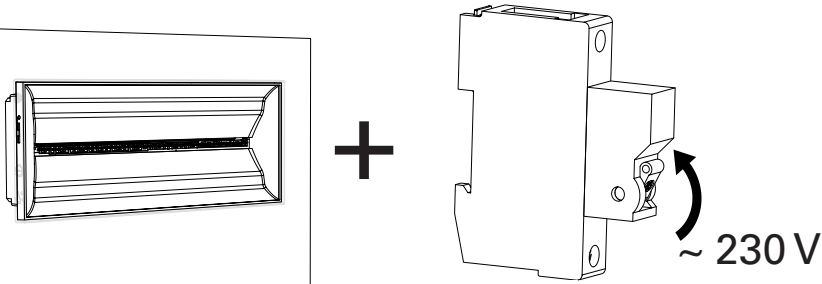
option

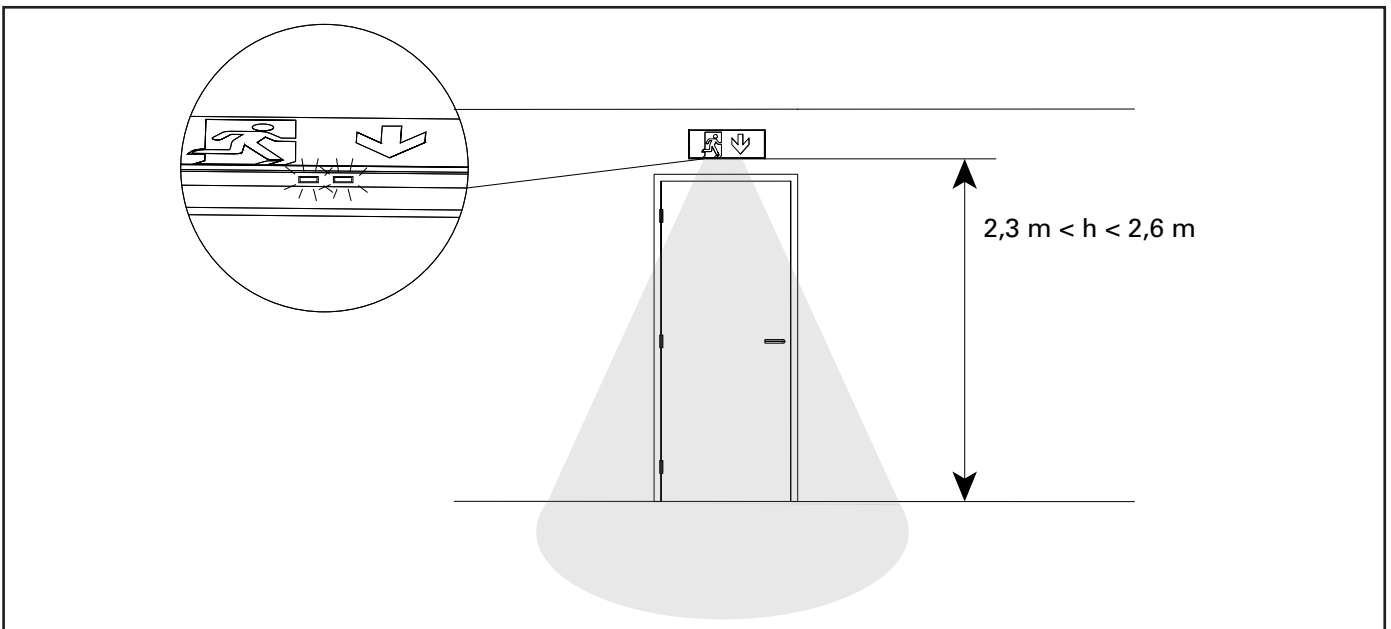


6



7





Test

G		OK
G		Test
Y		
Y		

- 1
- 2
- 3

* Ref. 919-000-002
F = 1600 g

	IP/IK				N.M.	M.
		V Ah Ni-Cd	min	lm	W	W
NEXI-D-AT	40/03	7,2 V 1,7 Ah Ni-Cd	90	250	2,25	3,6

