

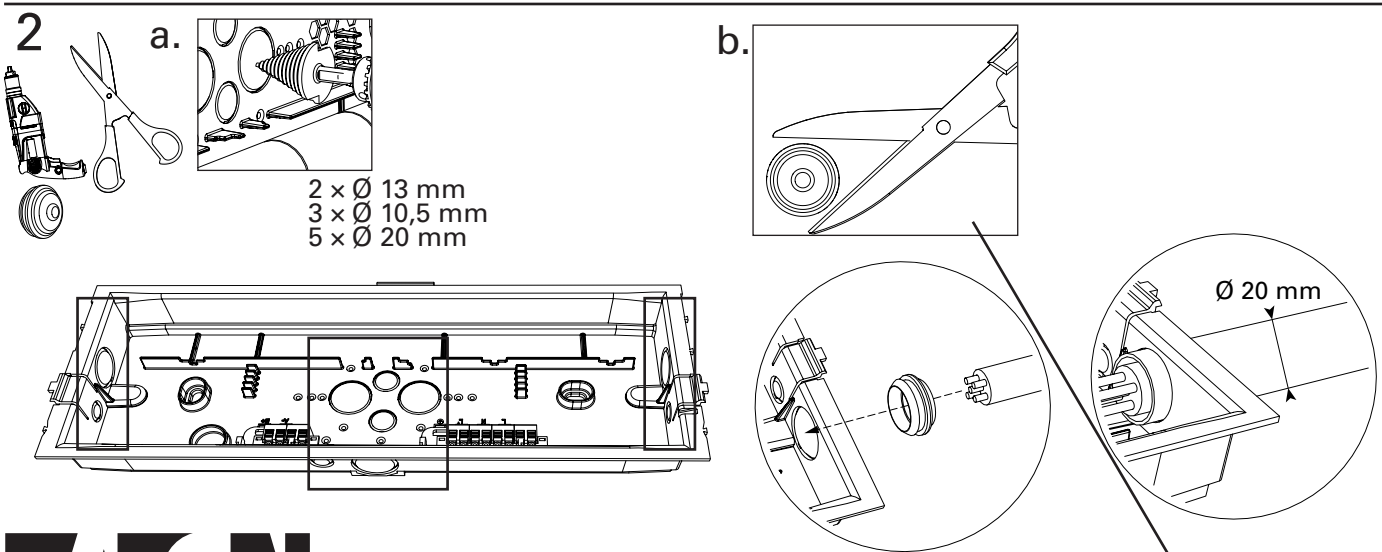
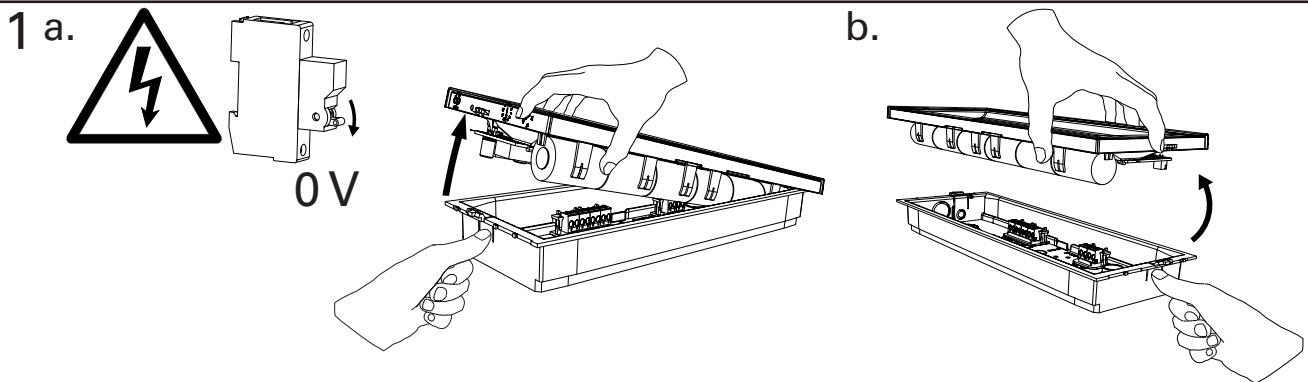
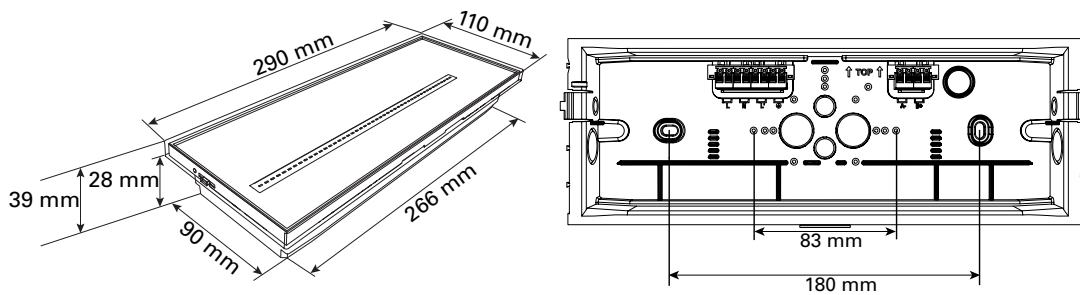
NexiTech CGLine+

+ web-controller CGLine+



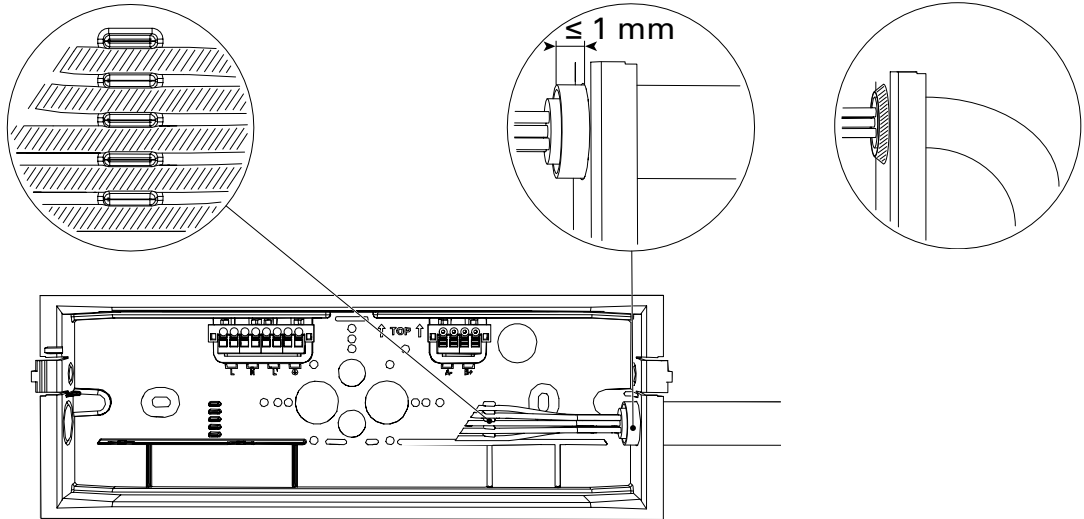
				2xØ 5 mm	
				#2	Ref. COOPER 919-000-002 F=1600 g
				#2	
				#2	Remplaçable Replaceable Auswechselbare Sostituibile

Avant toute utilisation/Before use/Vor Gebrauch/Prima carica
 24h

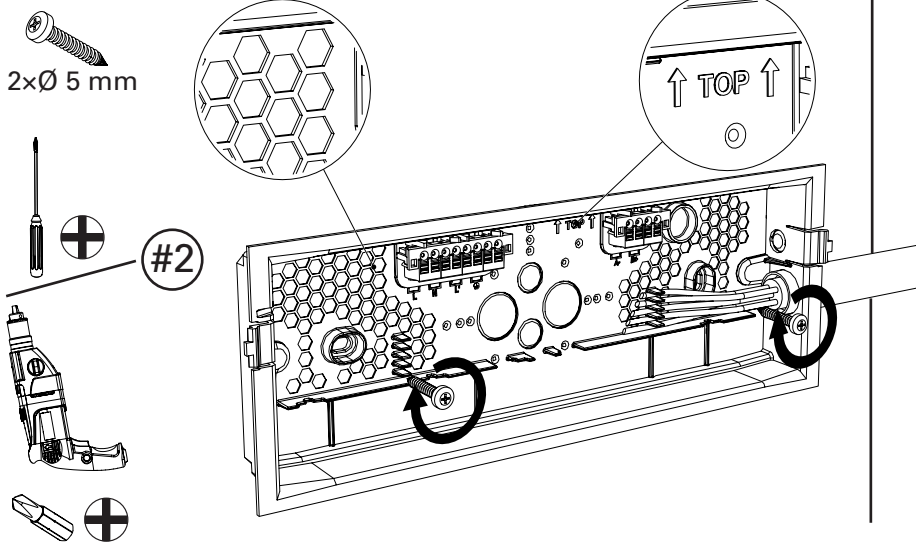


Powering Business Worldwide

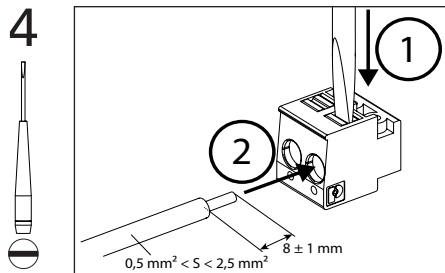
2



3

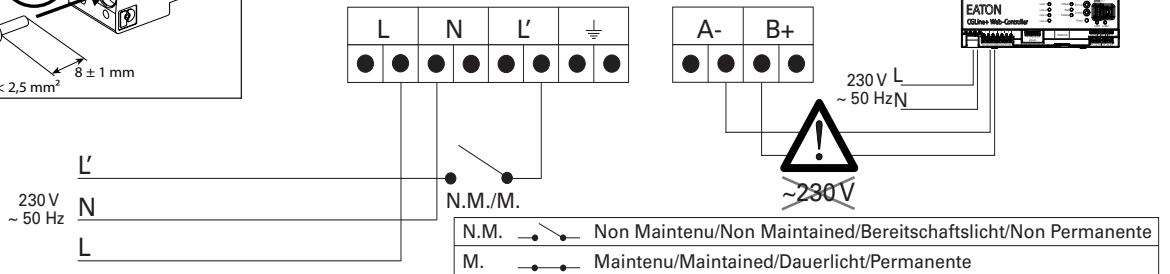
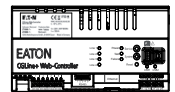


4



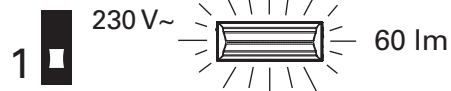
Web-controller CGLine+
Ref. 40071361055

Web-controller
CGLine+

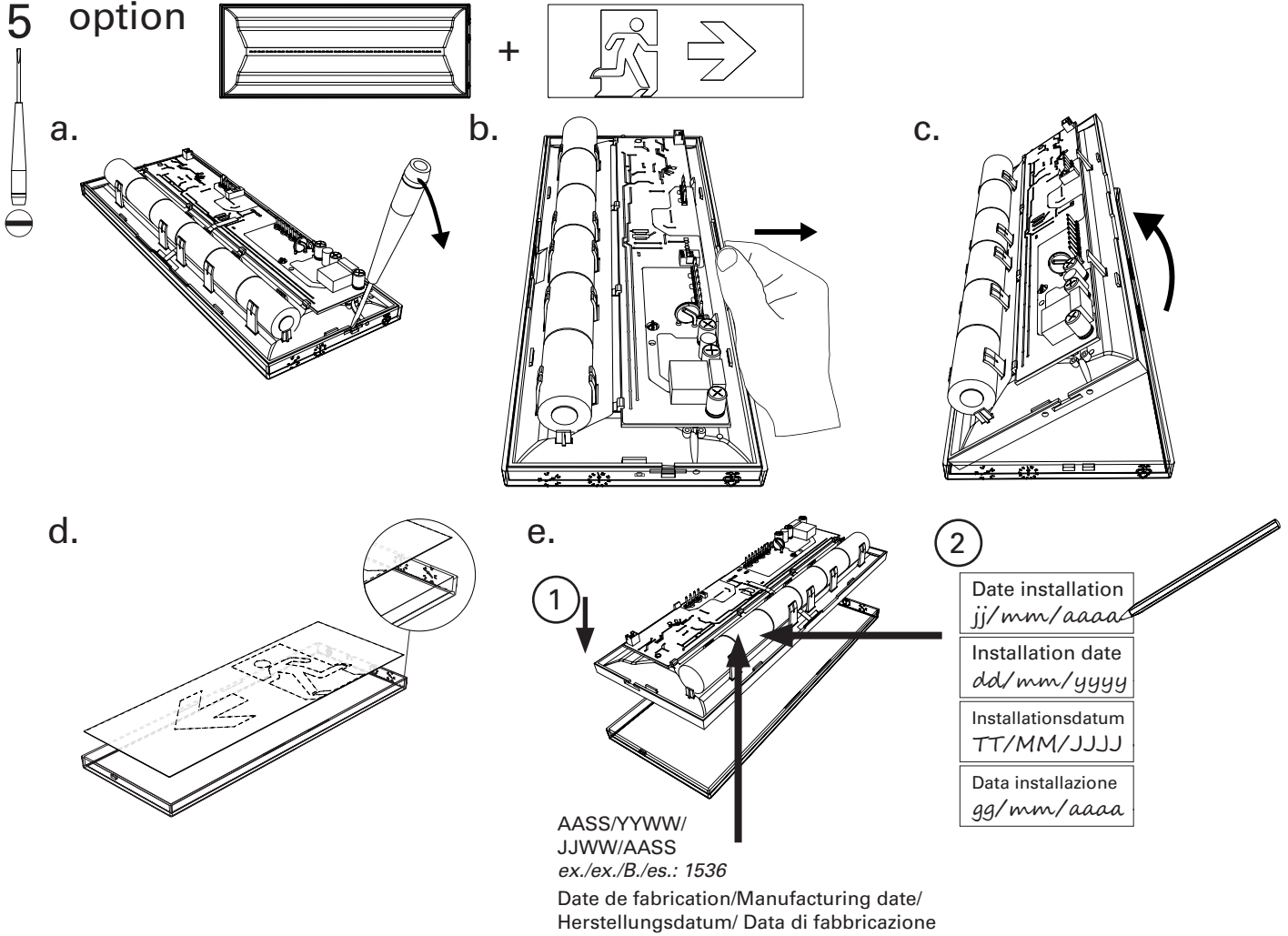


Mode Cinéma/Cinema Mode/Kino-Betriebsart/Modalità cinema

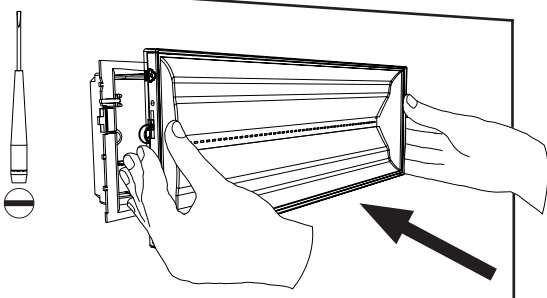
NEXI150-CGL
NEXI150-3H-CGL



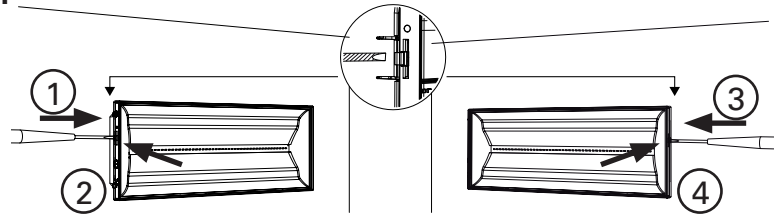
5 option



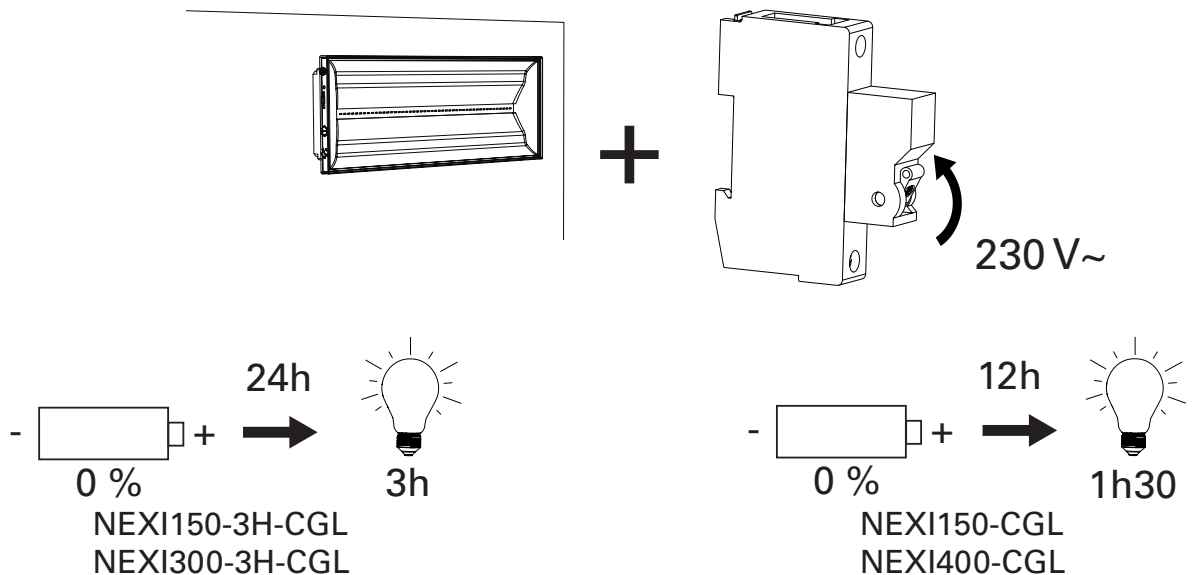
6 a.



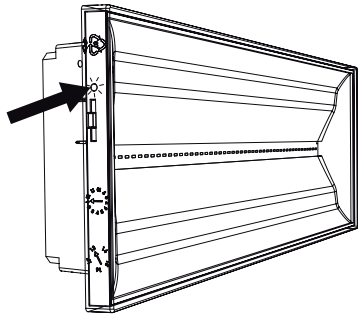
b.



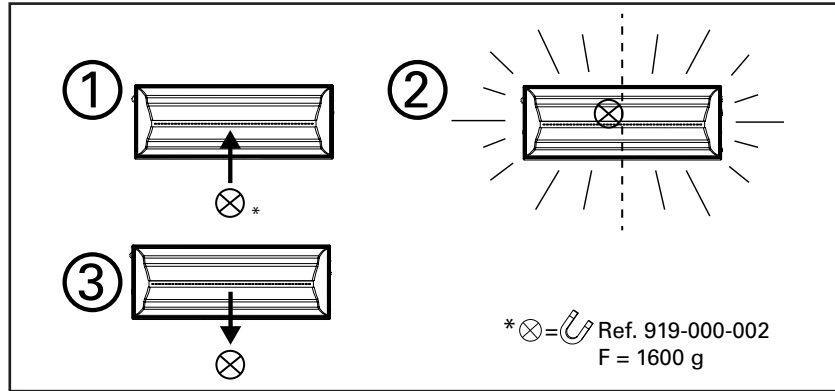
7



Autotest / SATI



V/G/G/V		OK
V/G/G/V		Test
V-J/G-Y/G-G/V-G		•))))) com/kom
J/Y/G/G		2 s
J/Y/G/G		0,5 s



NEXI-IP

NEXI-RB

NEXI-FC

NEXI-PICTO-D

NEXI-PICTO-L

NEXI-PICTO-R

NEXI-PICTO-U

	ENEC						
	IP 40 / IK 03	7,2 V/1,7 Ah Ni-Cd	1h30	150 lm	M.: 3,6 W	N.M.: 2,25 W	
	NEXITECH LED 150LM 1H30 CGLINE+ NEXITECH LED 150LM 3H CGLINE+ NEXITECH LED 300LM 3H CGLINE+ NEXITECH LED 400LM 1H30 CGLINE+	NEXI150-CGL NEXI150-3H-CGL NEXI300-3H-CGL NEXI400-CGL					

