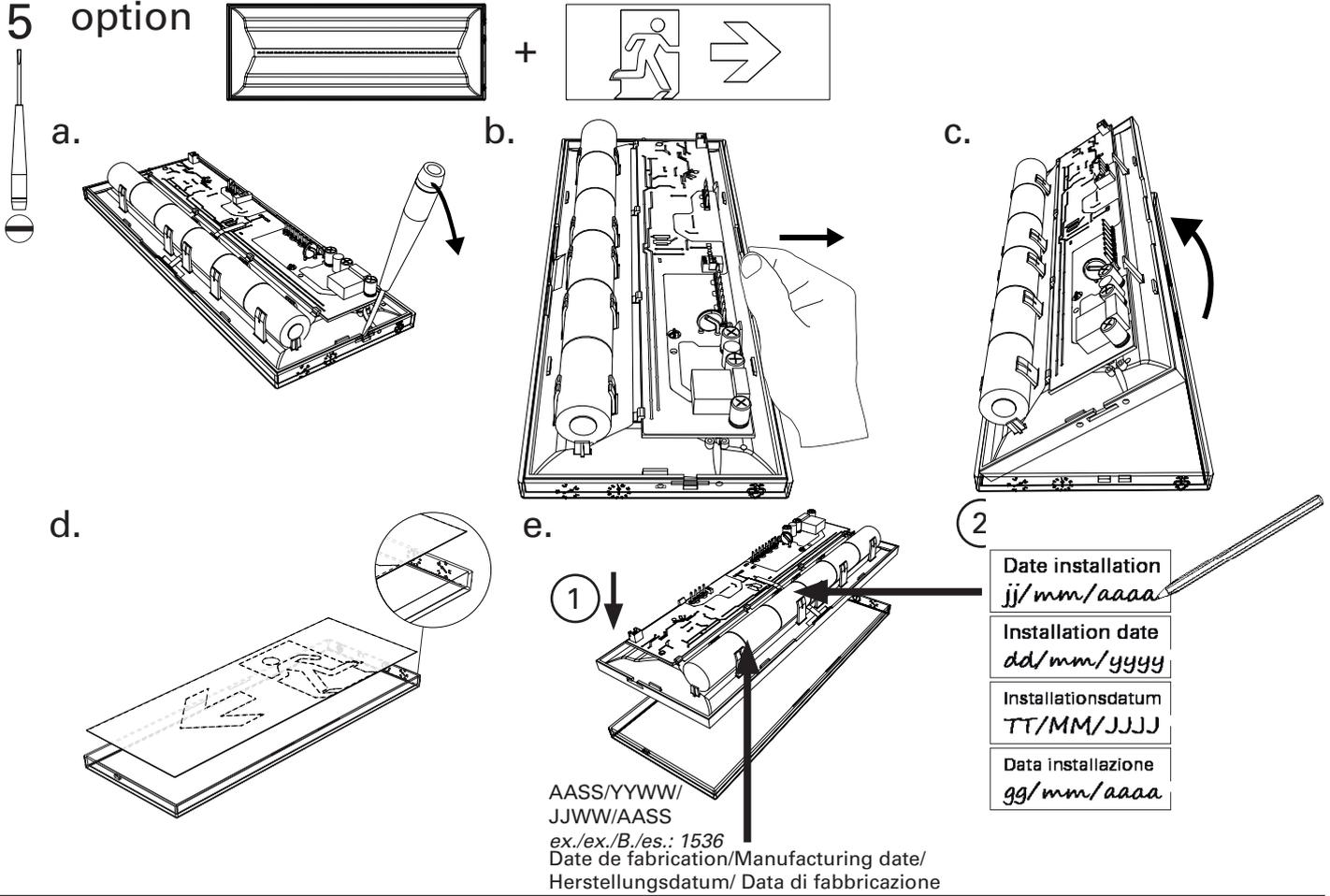
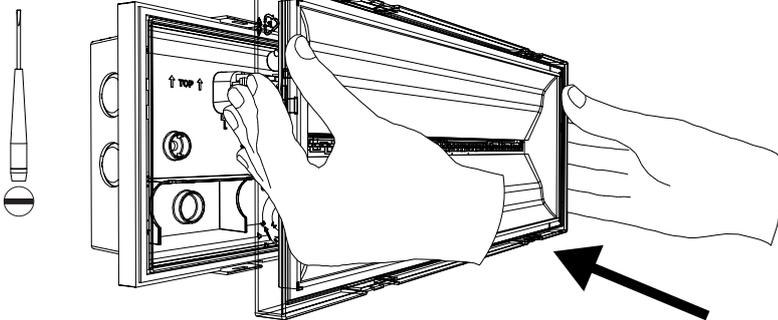


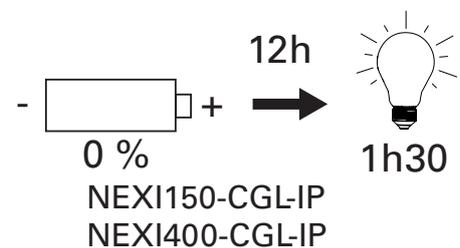
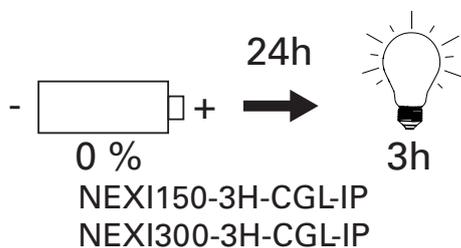
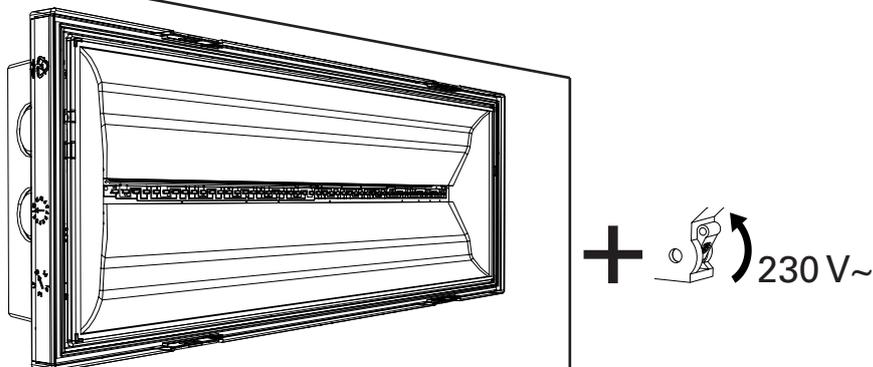
### 5 option



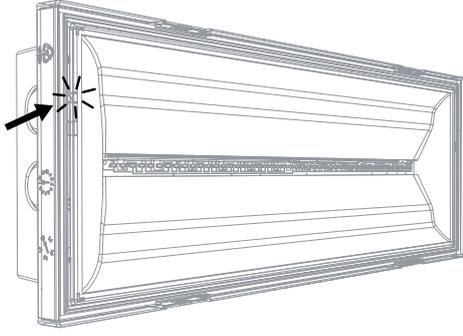
### 6



### 7



# Autotest / SATI



V/G/G/V		OK
V/G/G/V		Test
V-J/G-Y/G-G/V-G		•) ) ) ) ) com/kom
J/Y/G/G		2 s
J/Y/G/G		0,5 s

①

\* = Ref. 919-000-002  
F = 1600 g

②

③

+

NEXI-PICTO-D

NEXI-PICTO-L

NEXI-PICTO-R

NEXI-PICTO-U

	<b>ENEC</b>							<b>EN</b>	
NEXITECH LED 150LM 1H30 IP65 CGLINE+ NEXITECH LED 150LM 3H IP65 CGLINE+ NEXITECH LED 300LM 3H IP65 CGLINE+ NEXITECH LED 400LM 1H30 IP65 CGLINE+	NEXI150-CGL-IP NEXI150-3H-CGL-IP NEXI300-3H-CGL-IP NEXI400-CGL-IP	IP 65 / IK 07		7,2 V / 1,7 Ah Ni-Cd	1h30 3h 3h 1h30	150 lm 150 lm 300 lm 400 lm	M. : 3,6 W N.M. : 2,25 W	EN 60598.1 EN 60598.2.22 EN1838/ISO30061 EN62034	

