

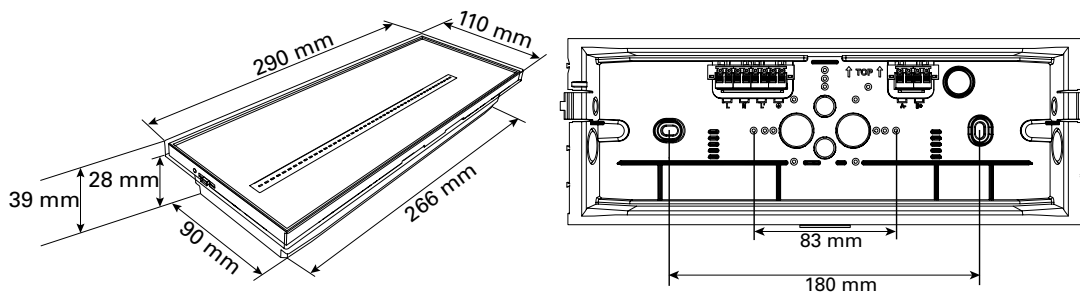
NexiTech LED 1000 CGLine+

+ web-controller CGLine+

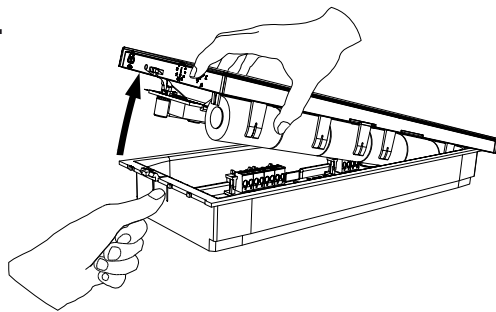


 	 	 2xØ 5 mm	
		 #2	 Ref. COOPER 919-000-002 F=1600 g
		 #2	 Remplaçable Replaceable Auswechselbare Sostituibile
		 #2	

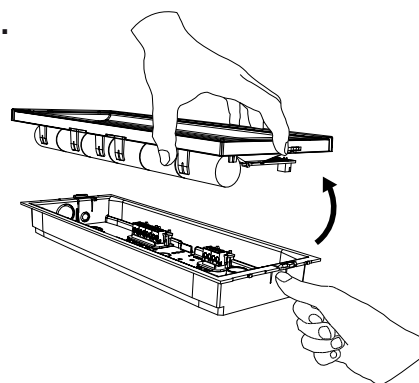
Avant toute utilisation/Before use/Vor Gebrauch/Prima carica



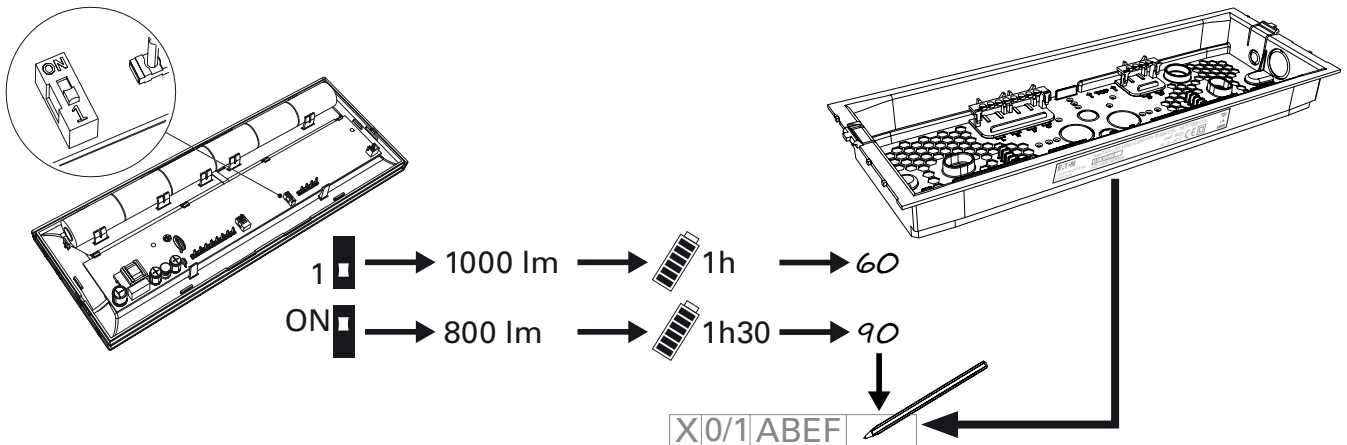
1 a.

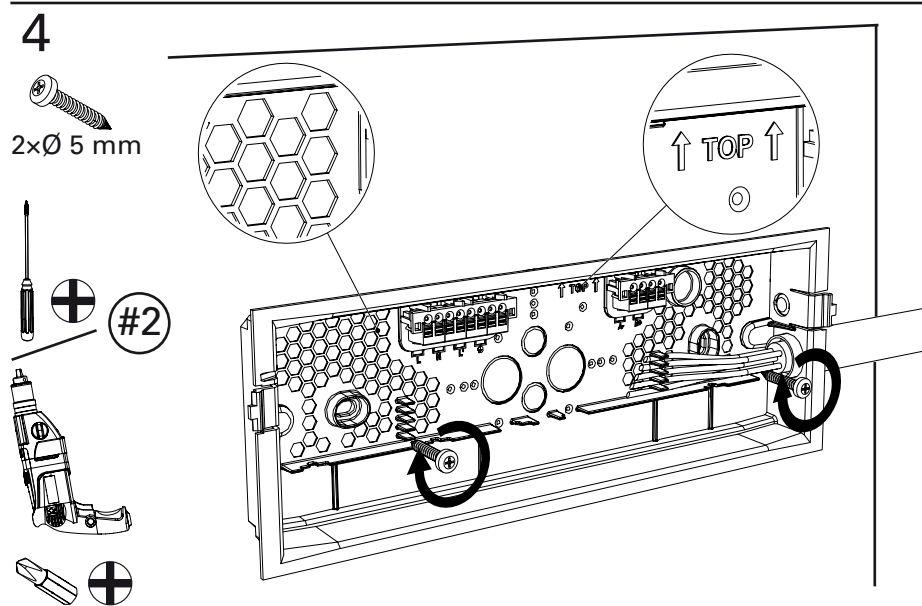
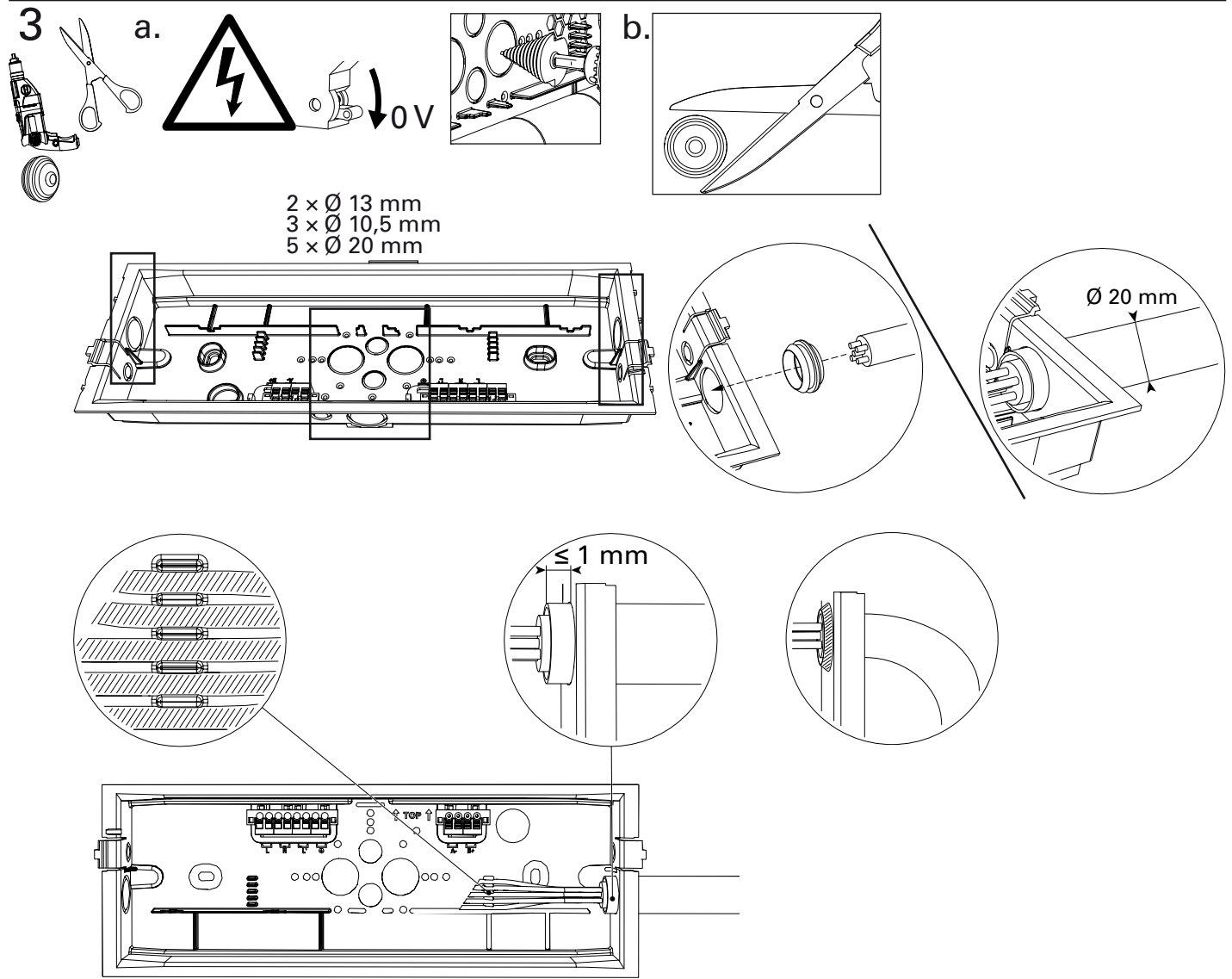


b.



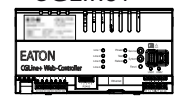
2



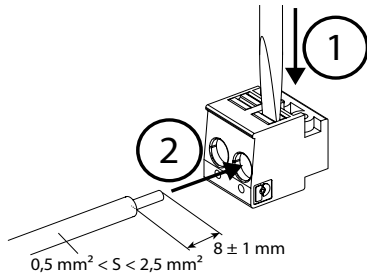


Web-controller CGLine+
Ref. 40071361055

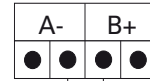
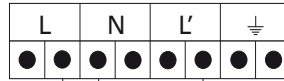
Web-controller
CGLine+



5



L'
230 V
~ 50 Hz
N
L

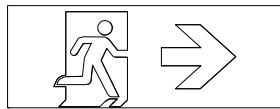
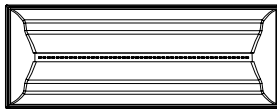


~230 V

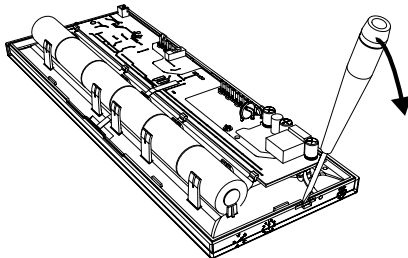
230 V L
~ 50 Hz N

N.M. — Non Maintenu/Non Maintained/Bereitschaftslicht/Non Permanente
M. — Maintenu/Maintained/Dauerlicht/Permanente

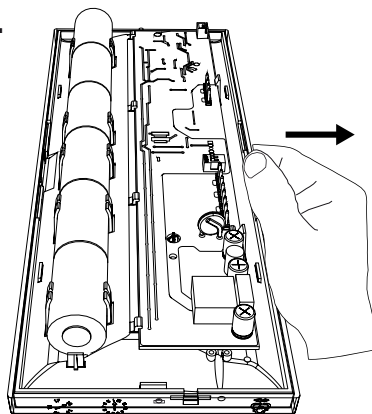
6 option



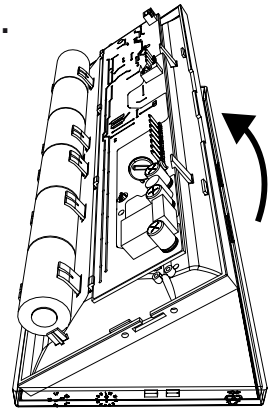
a.



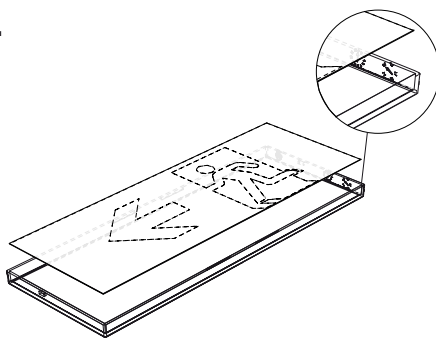
b.



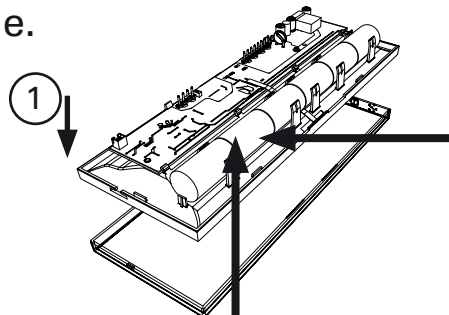
c.



d.



e.



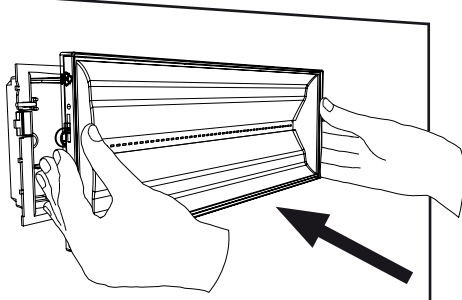
2

Date installation
jj/mm/aaaa
Installation date
dd/mm/yyyy
Installationsdatum
TT/MM/JJJJ
Data installazione
gg/mm/aaaa

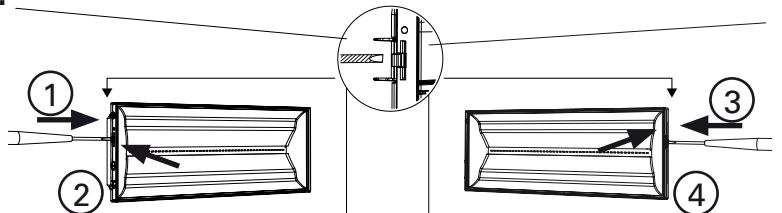
AASS/YYWW/
JJWW/AASS

ex./ex./B./es.: 1536 Date de fabrication/Manufacturing date/
Herstellungsdatum/ Data di fabbricazione

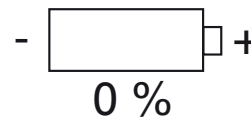
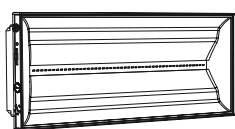
7 a.



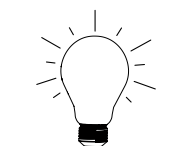
b.



8

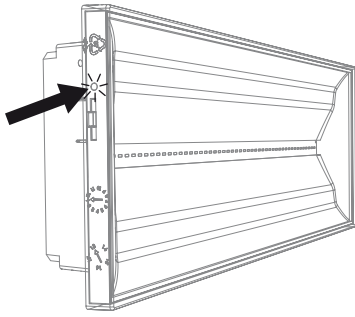


24h

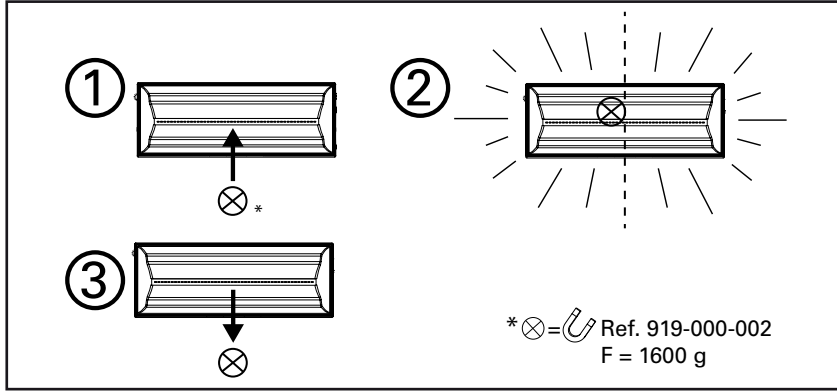


1h/1h30

Autotest / SATI



V/G/G/V		OK
V/G/G/V		Test
V-J/G-Y/G-G/V-G		•))))) com/kom
J/Y/G/G		2 s
J/Y/G/G		0,5 s



NEXI-IP
NEXI-RB
NEXI-FC

NEXI-PICTO-D
NEXI-PICTO-L
NEXI-PICTO-R
NEXI-PICTO-U

NEXITECH LED 1000/1h 800/1,5h M/NM CGL NEXI1000-CGL

IP 40 / IK 03 7,2 V/2 Ah Ni-Cd 1h / 1h30 1000 lm / 800 lm M.: :3,6 W N.M.: :2,25 W EN 60598.1 EN 60598.2.22 EN1838/ISO30061 EN62034

