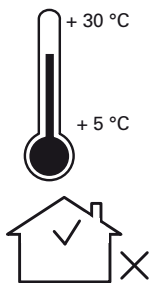
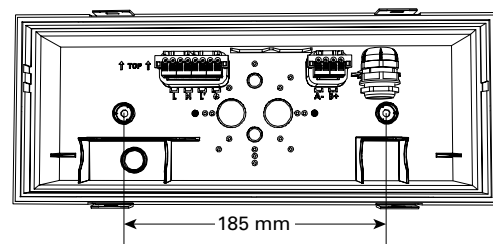
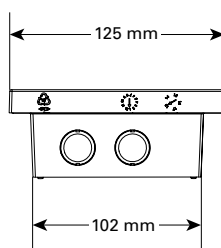
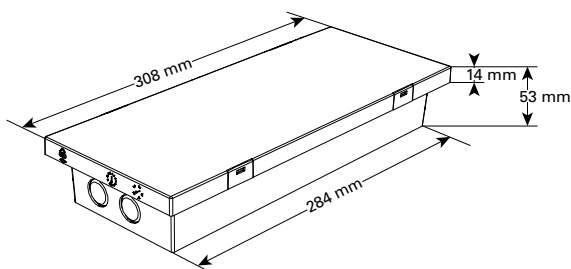
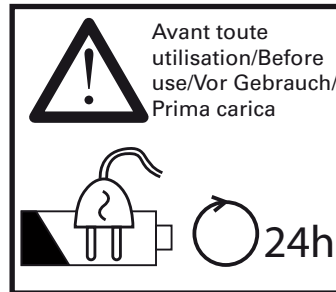


NexiTech LED 1000 IP65 CGLine+

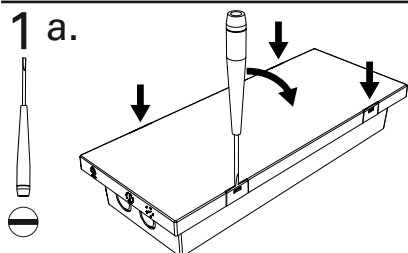
+ web-controller CGLine+



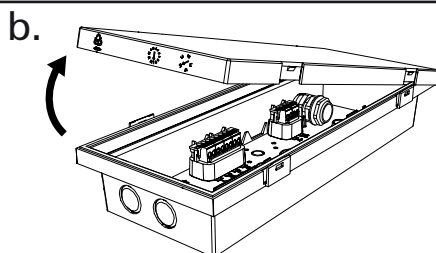
 1xCAP222045 1xCAP222094 1xCAP452002		2xØ 5 mm	Ref. COOPER 919-000-002 F=1600 g
		#2	24
		#2	Remplaçable Replaceable Auswechselbare Sostituibile
		#2	



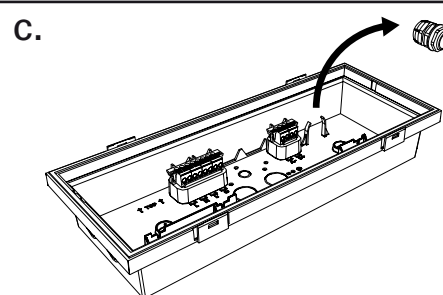
1 a.



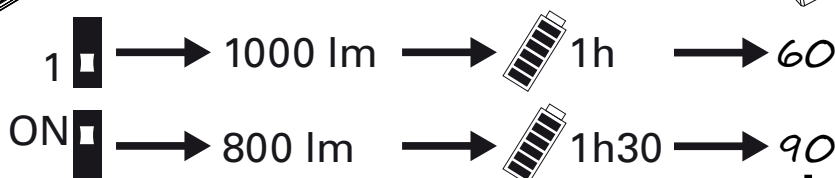
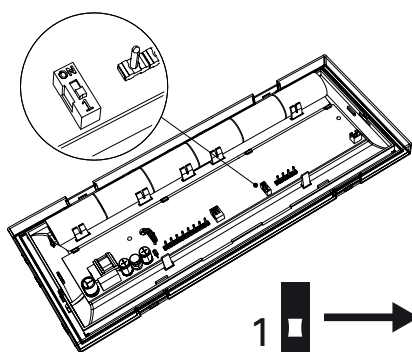
b.



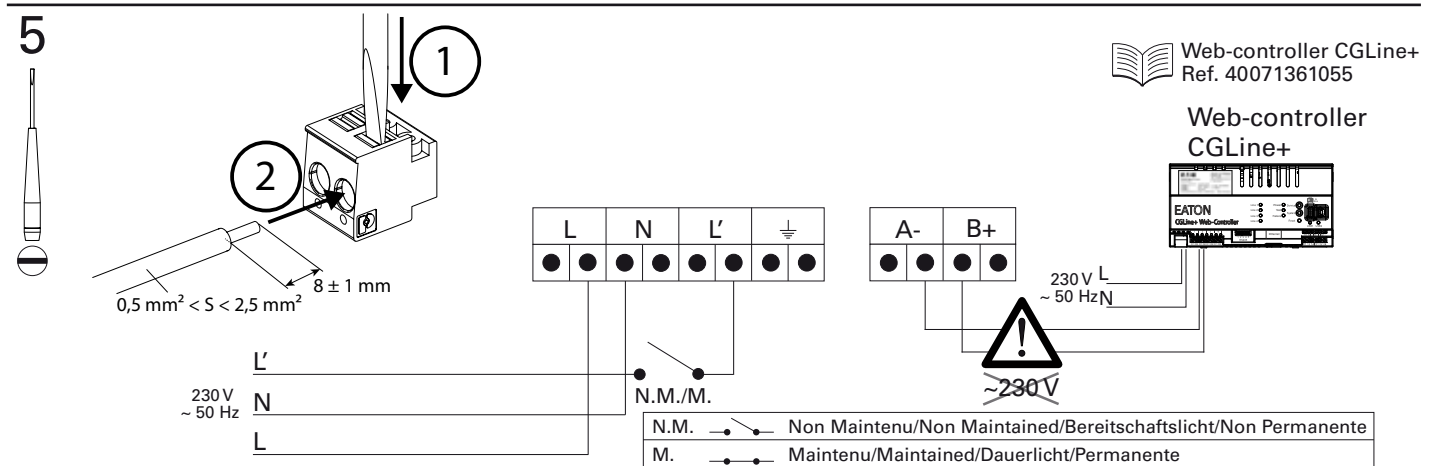
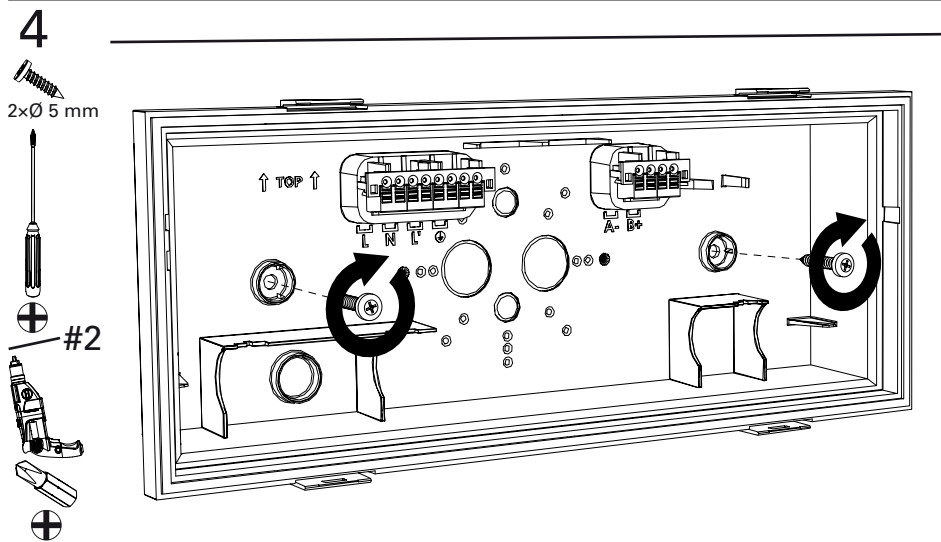
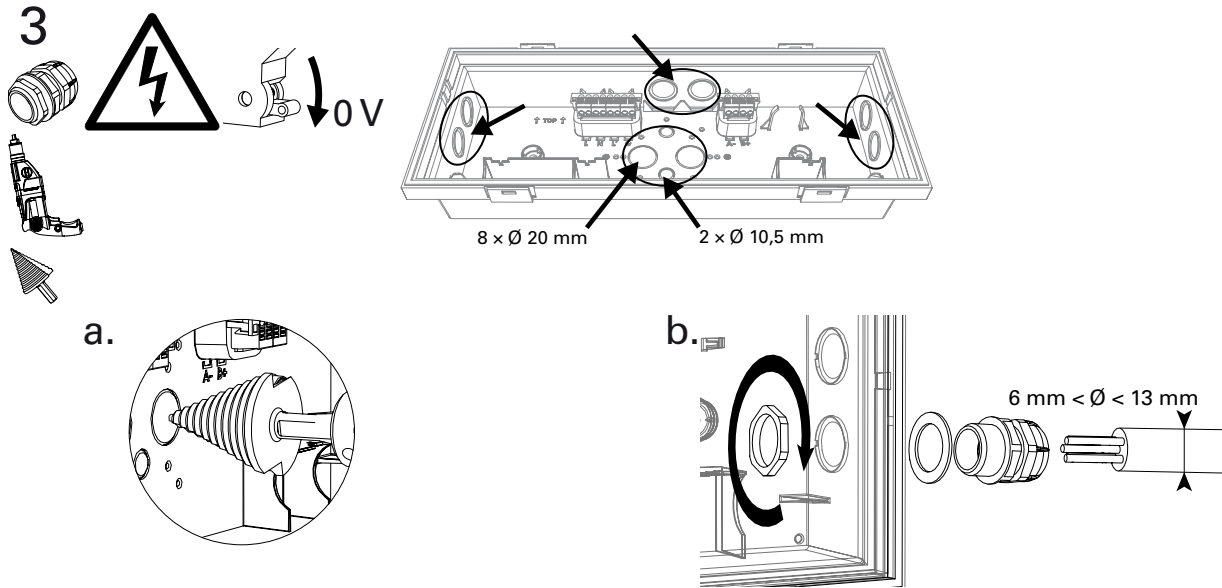
c.



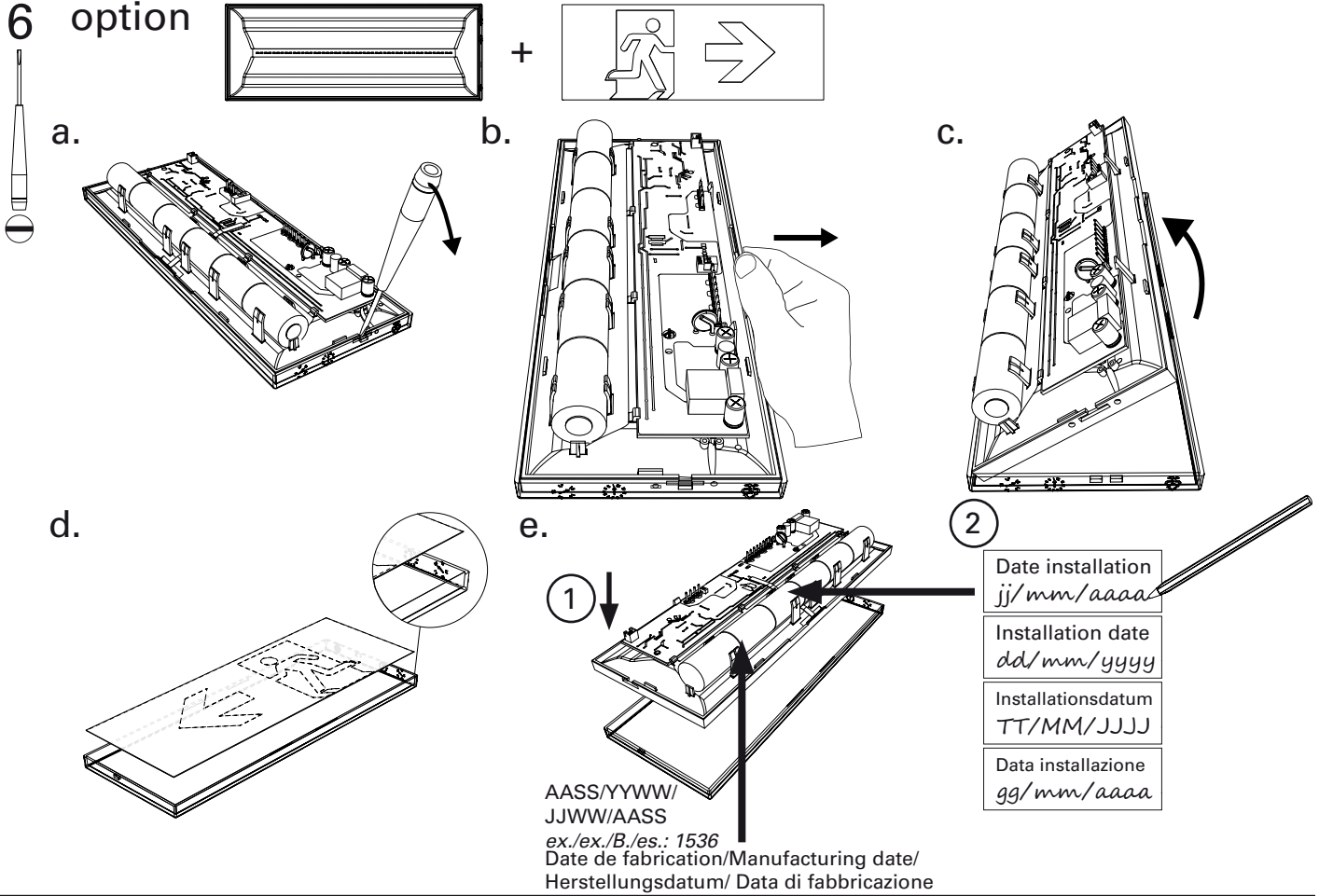
2



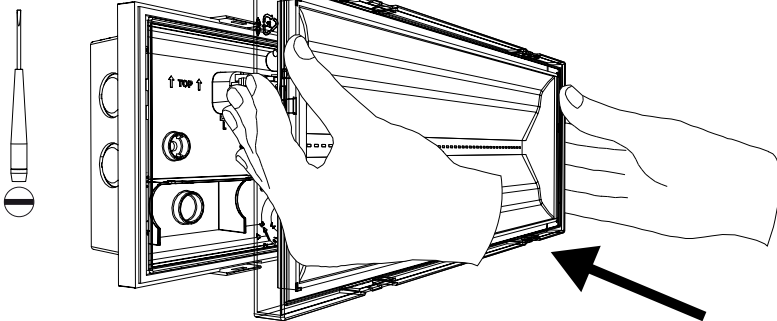
X0/1 ABEF



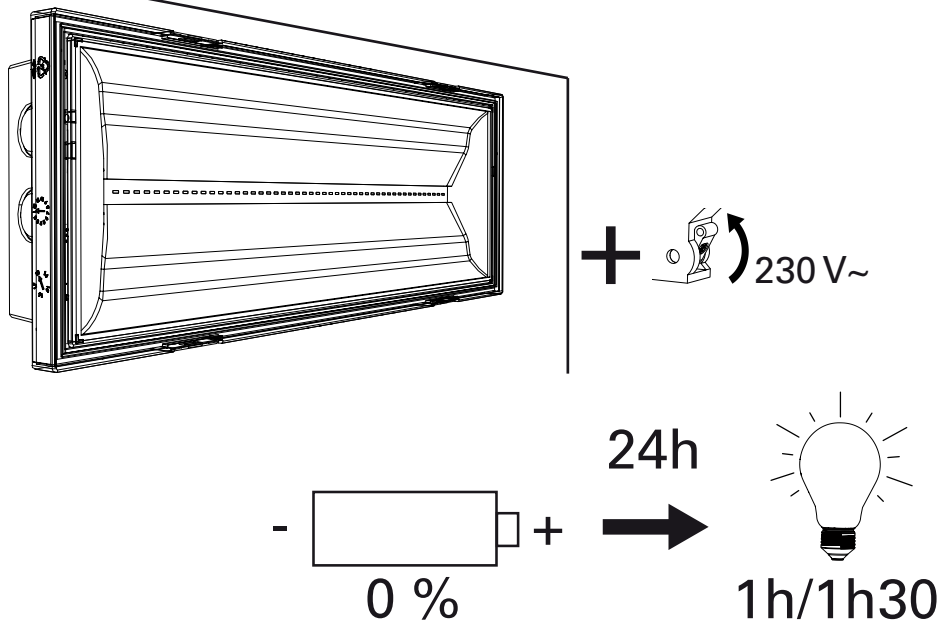
6 option



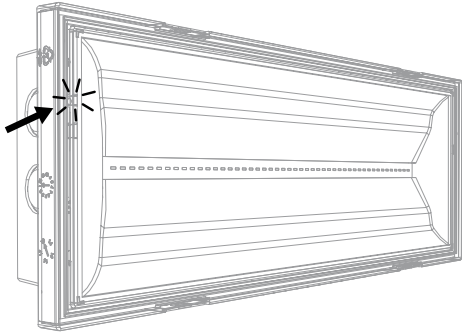
7



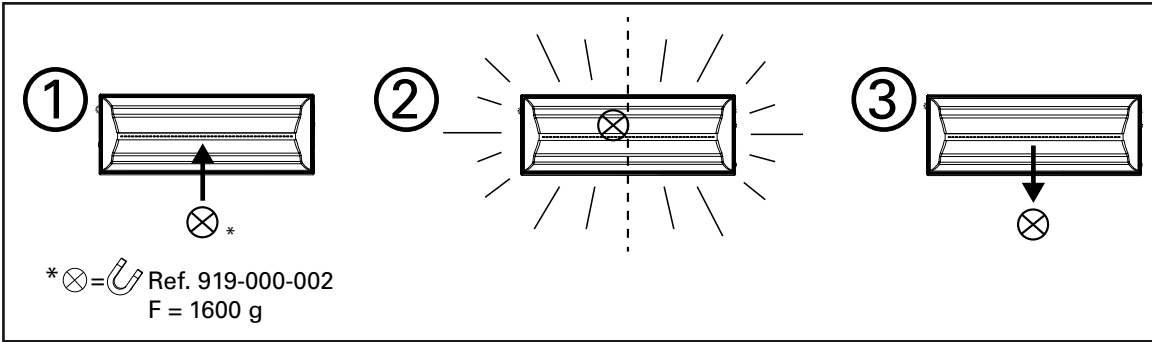
8



Autotest / SATI



V/G/G/V		OK
V/G/G/V		Test
V-J/G-Y/G-G/V-G		·))))) com/kom
J/Y/G/G		2 s
J/Y/G/G		0,5 s



- NEXI-PICTO-D
- NEXI-PICTO-L
- NEXI-PICTO-R
- NEXI-PICTO-U

NEXITECH LED 1000/1 800/1,5h M/NM CGL IP NEXI1000-CGL-IP

IP 65 / IK 07	7.2 V/2 Ah Ni-Cd	1h / 1h30	1000 lm / 800 lm	M. : 3.6 W N.M. : 2.25 W	EN 60598.1 EN 60598.2.22 EN1838/ISO30061 EN62034		

