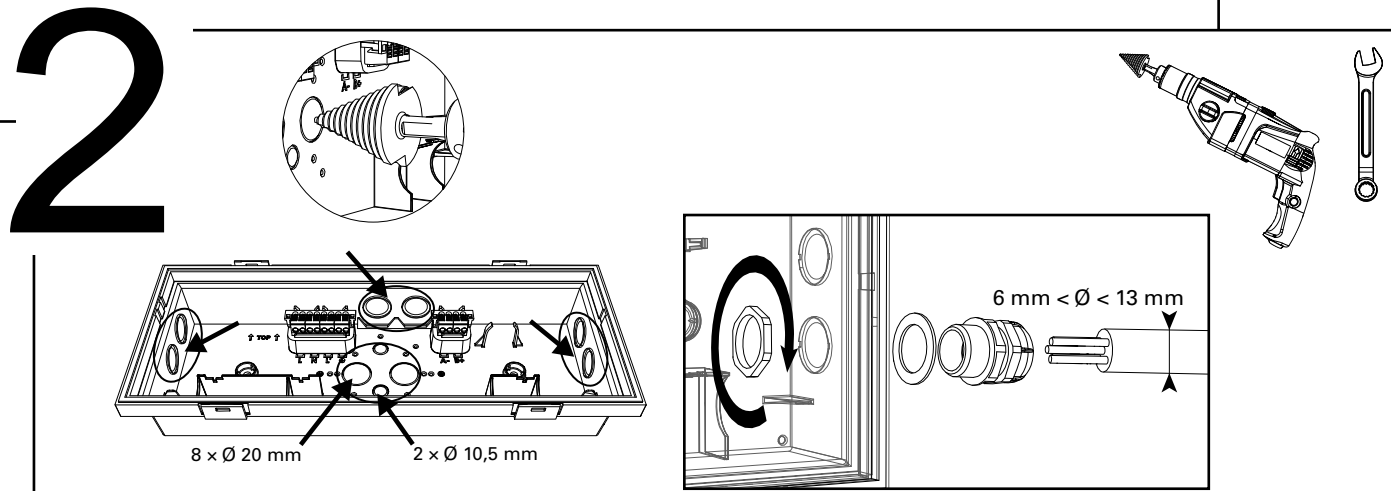
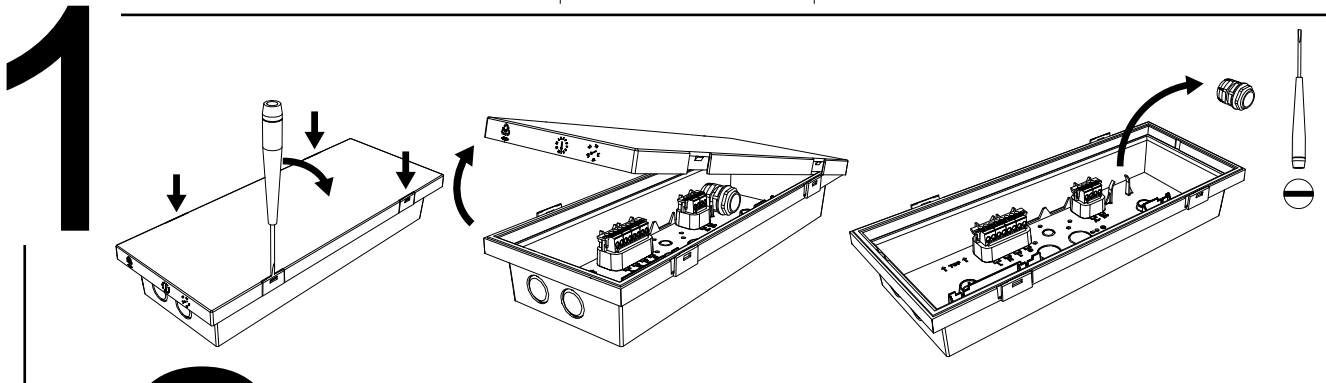
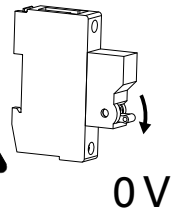
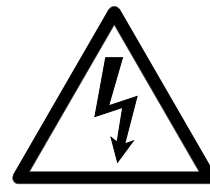
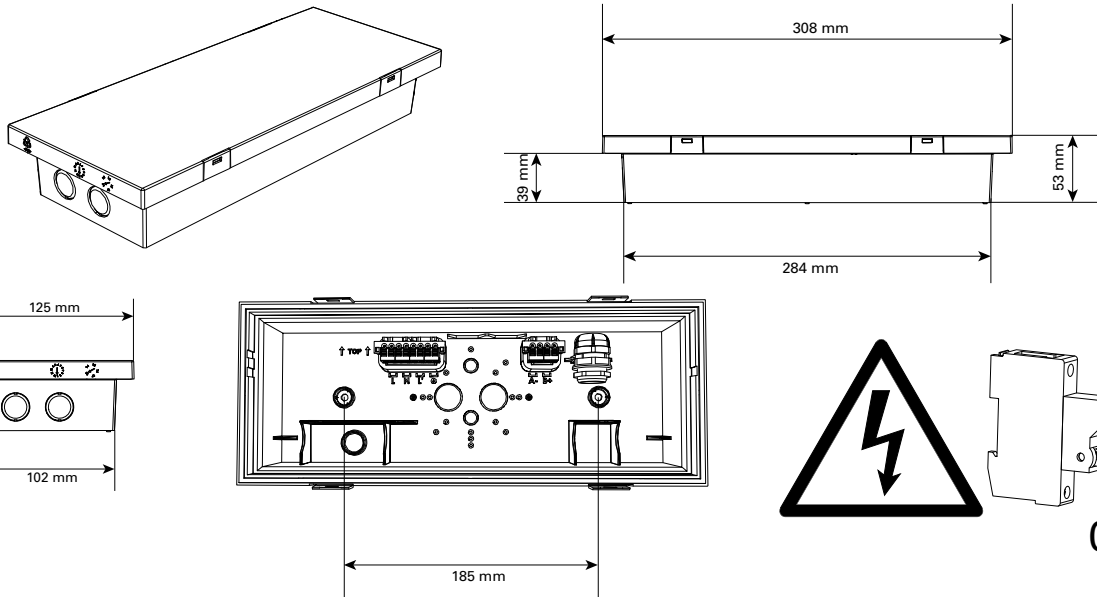


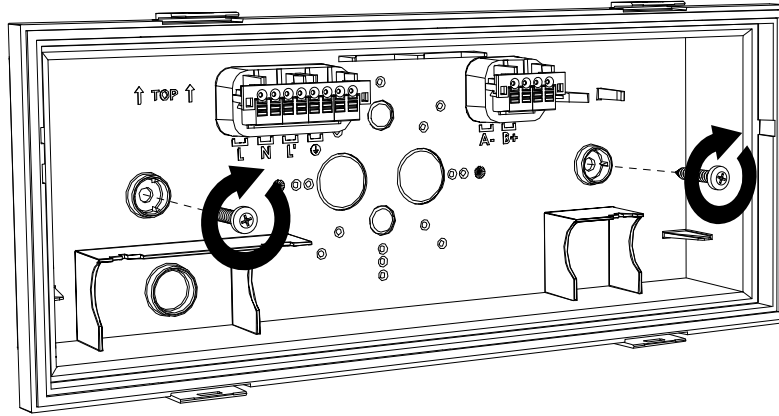
NexiTech LED IP65 Kit



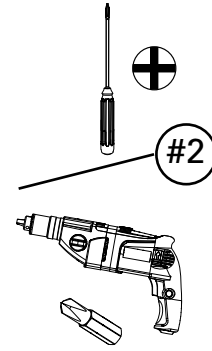
 	 1x CAP222045 1x CAP222094 1x CAP452002		2x Ø 5 mm 	24



3



x 2
Ø 5 mm



4

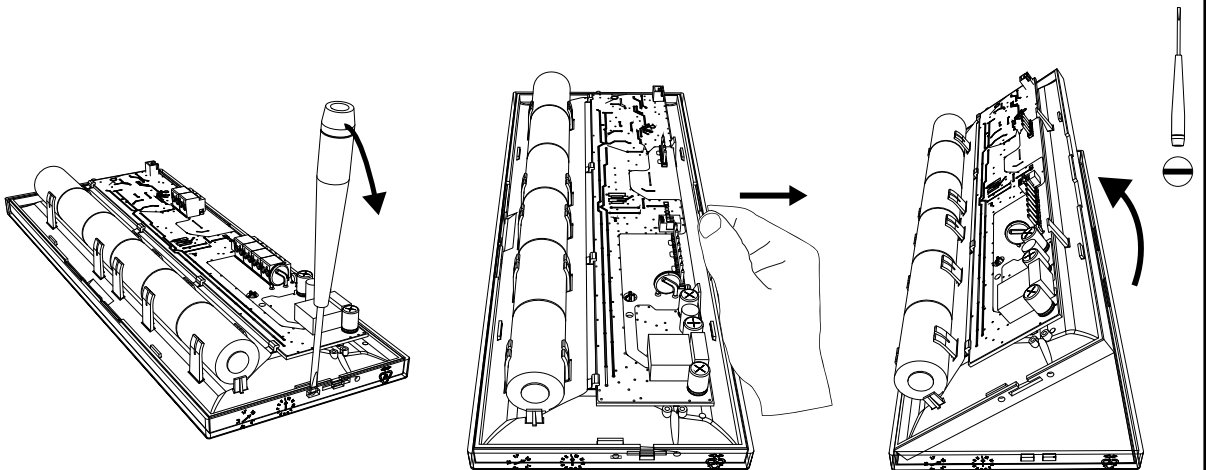
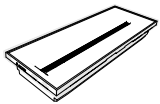
Electrical connections instructions



See NexiTech LED, 4

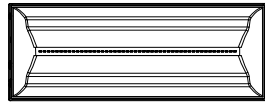
5

NexiTech LED

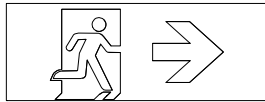


6

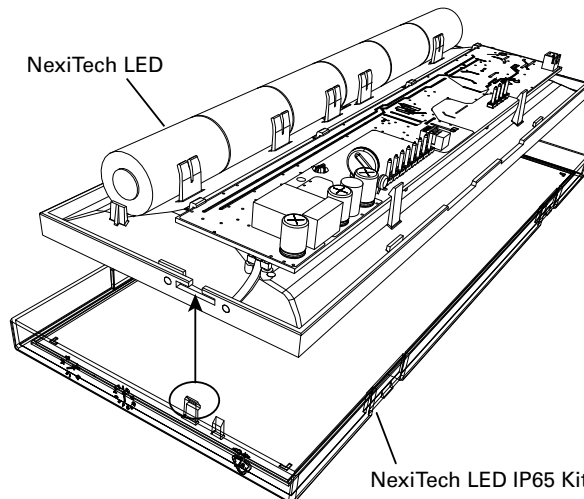
option



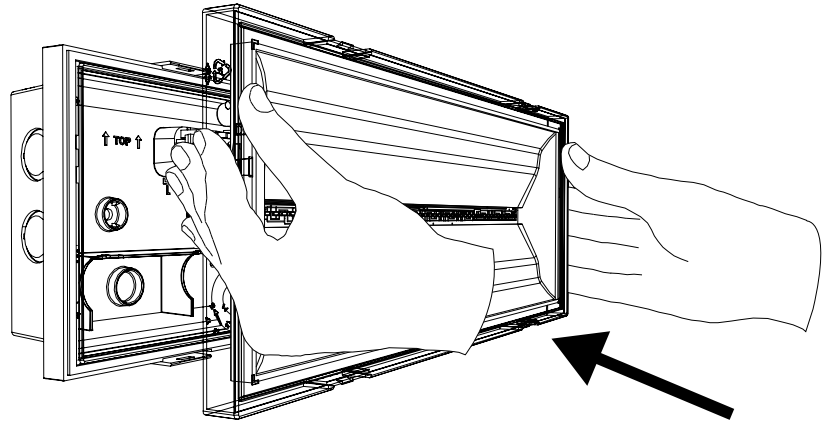
+



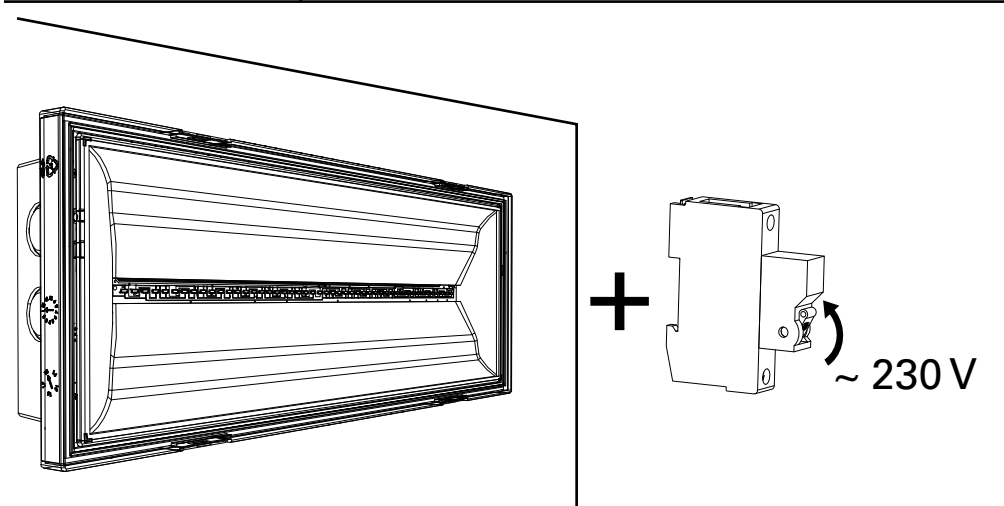
See NexiTech LED, 5



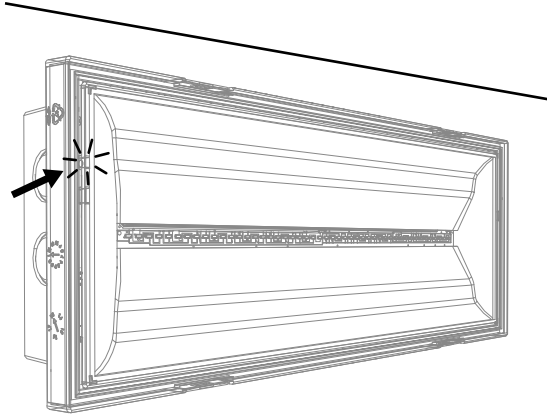
7



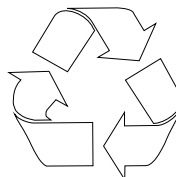
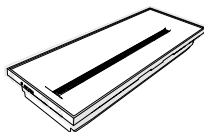
8



Test



See NexiTech LED, Test



Powering Business Worldwide

Eaton
Cooper CSA Srl
Via Antonio Meucci, 10
20094 Corsico (Mi) - ITALY
Technical Service
www.coopercsa.it/it/nexitechled
www.coopercsa.it
www.eaton.com

© 2014 Eaton
All Rights Reserved



