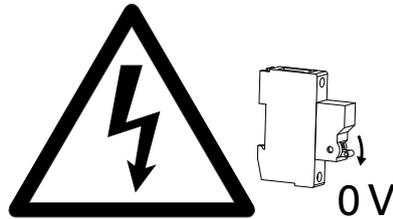
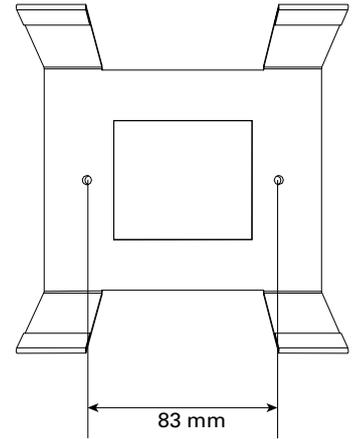
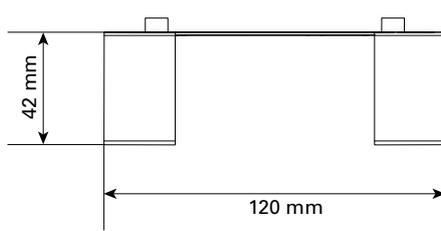
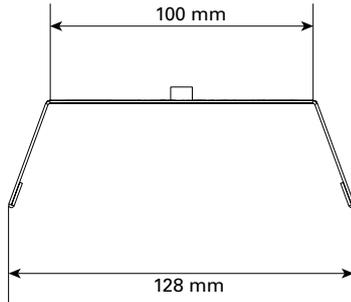
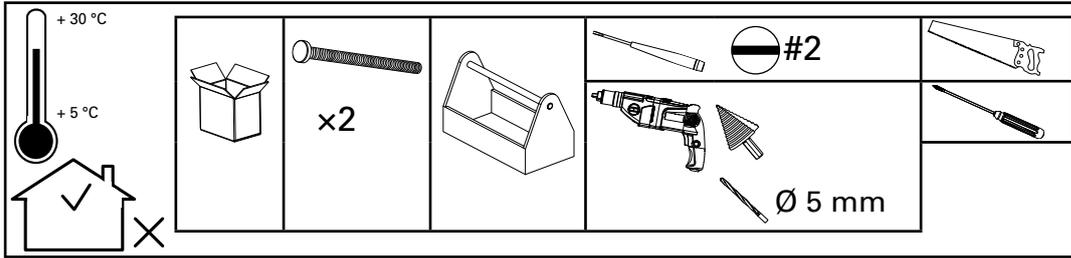
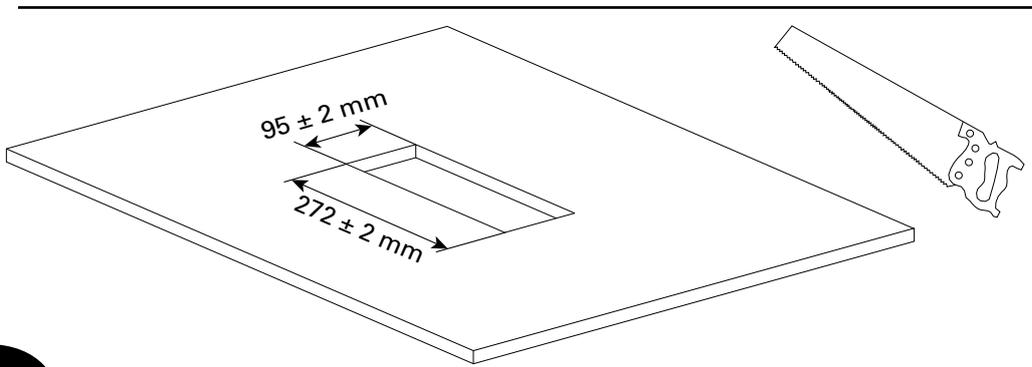


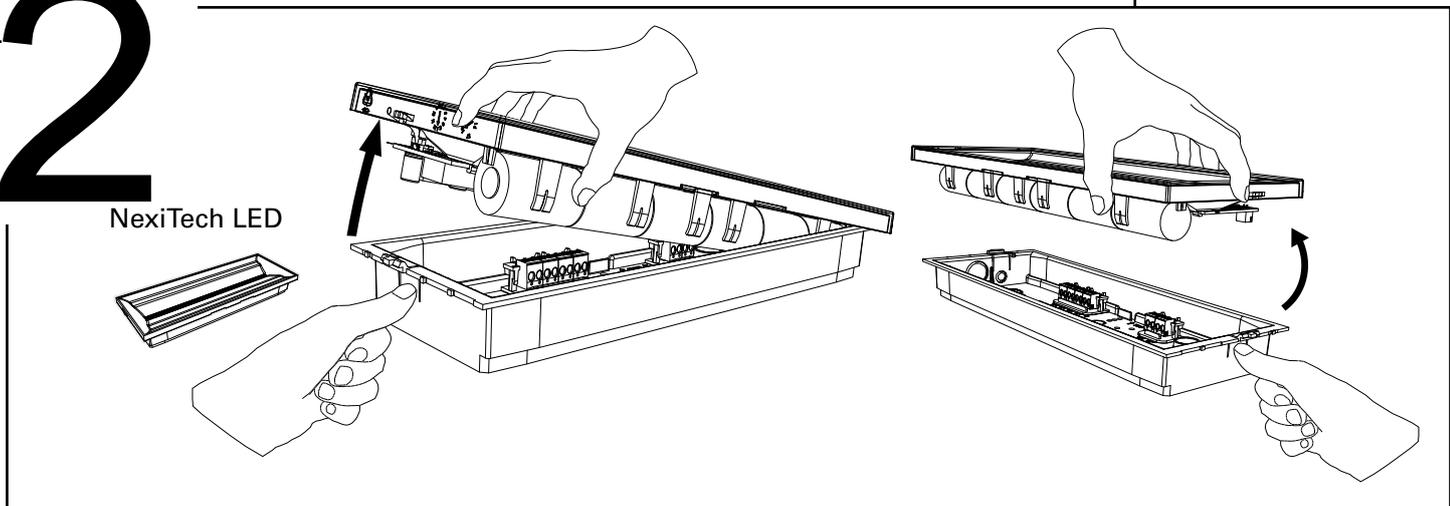
NexiTech LED False Ceiling Kit



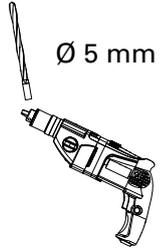
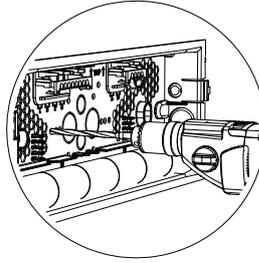
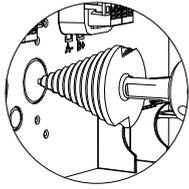
1



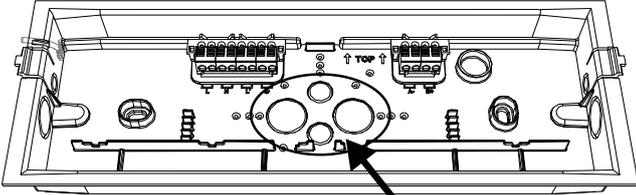
2



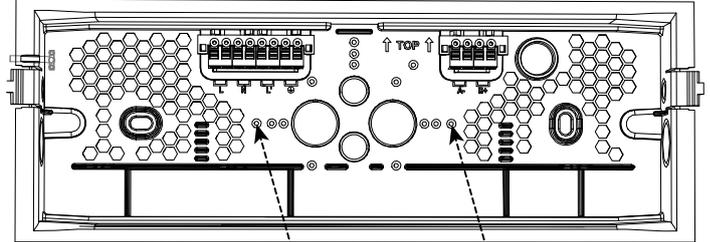
3



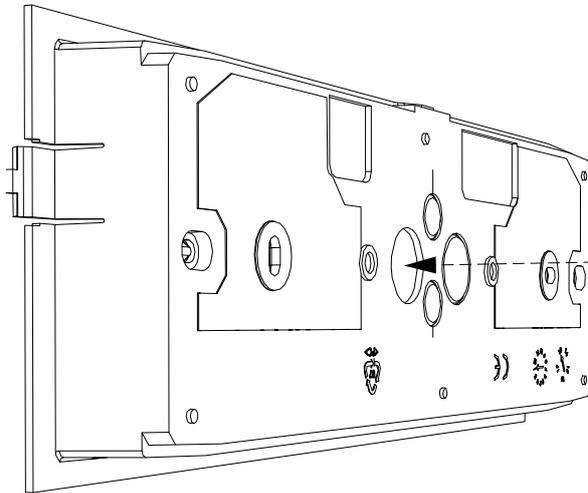
Ø 5 mm



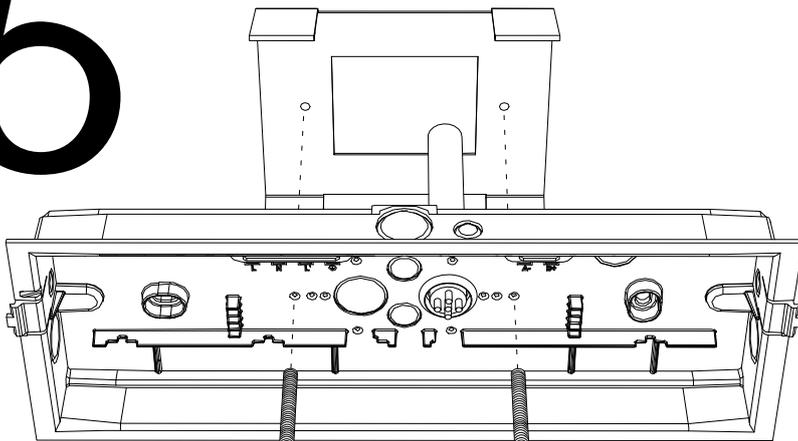
2 x Ø 13 mm
2 x Ø 20 mm



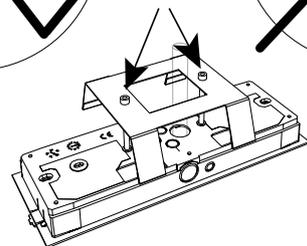
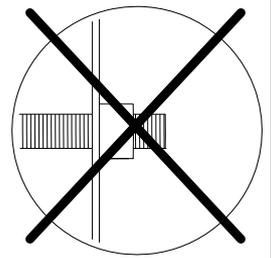
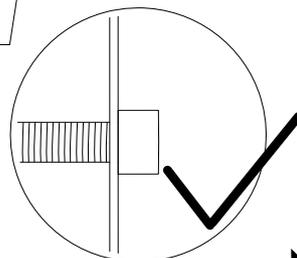
4



5



2xØ 4 mm
L = 70 mm



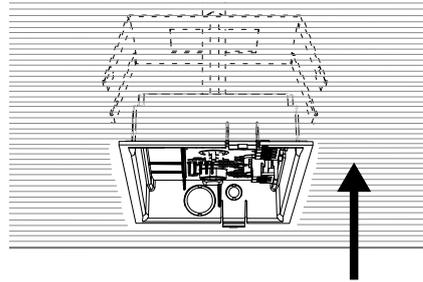
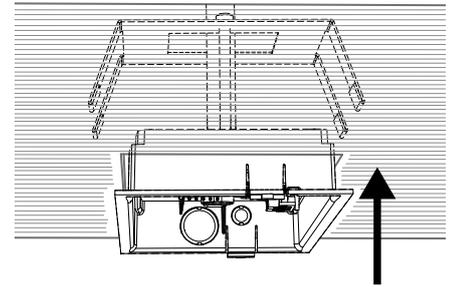
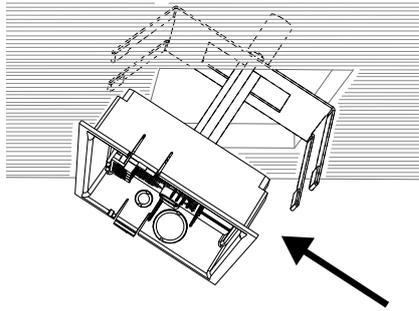
6

Electrical connections instructions

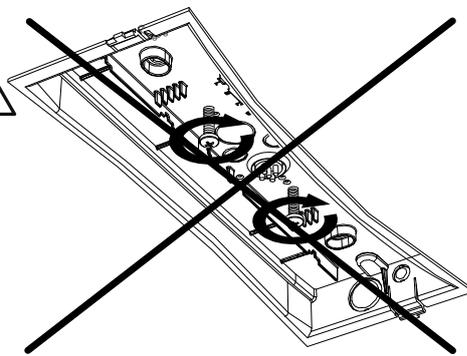
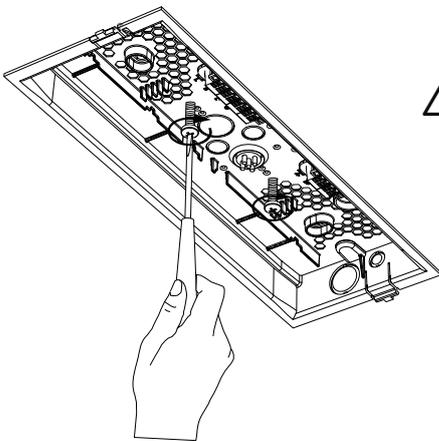


See NexiTech LED, 4

7

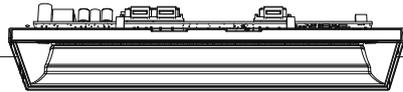


8



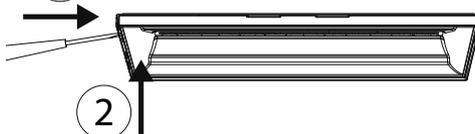
9

1

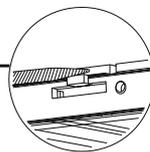


2

1



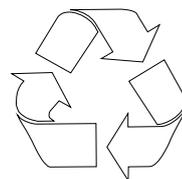
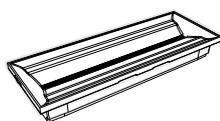
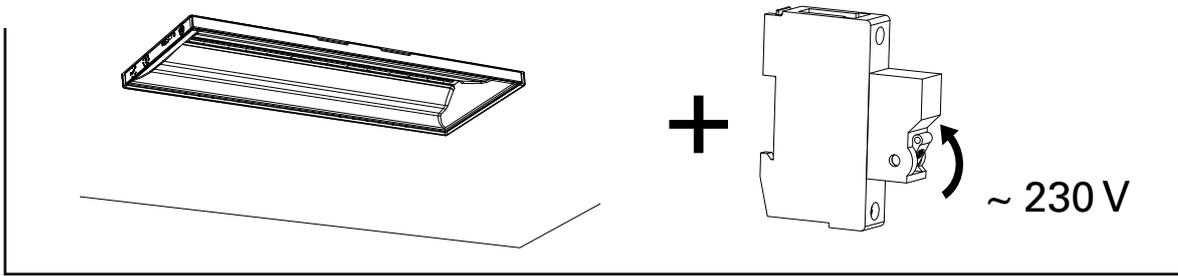
2



3

4

10



Powering Business Worldwide

Eaton
Cooper CSA Srl
Via Antonio Meucci, 10
20094 Corsico (Mi) - ITALY
Technical Service
www.coopercsa.it/it/nexitechled
www.coopercsa.it
www.eaton.com

© 2014 Eaton
All Rights Reserved

