

# 5.2 Exit signs - Indoor

GuideLed



5



- Perfectly illuminated exit sign with by use of innovative light guide technology
- Versatile mounting options: Wall, ceiling, recessed Surface, suspended
- Available in 20 and 30 m viewing distance
- Duration selectable 1 h, 3 h, 8 h
- Environmental friendly Li-Ion battery technology

### Light Source:

LED Strip

### Materials:

Housing unit in light grey polycarbonate

Panel PMMA

Aluminum tubes for suspension

Lithium ion battery

With GuideLed, a new generation of exit sign luminaires has been developed that convinces in particular with its absolutely homogeneous, bright luminous surface. This is made possible by a new light guide technology. In addition, GuideLed also catches the eye with regard to design with a concise functionality without visible screw connections, and a very flat construction.

The wide variety of versions available make the GuideLed exit sign luminaire a versatile solution. Featuring viewing distances of 20m or 30m, single-sided or double-sided options and multiple mounting types, they are ideal for a variety of room sizes and applications.

The use of LEDs, automatic testing and monitoring devices (CGLine+) significantly reduce the operating and maintenance costs of the installation.

### Operation:

For maintained and non-maintained operations

CGLine+ (Without bus working in AT mode)

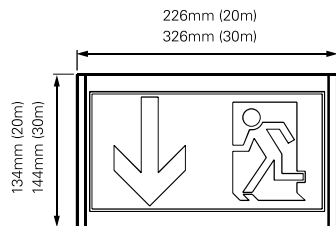
Adjustable brightness function, standing at 100%, 30% and 10%

Duration selectable 1h, 3h and 8h

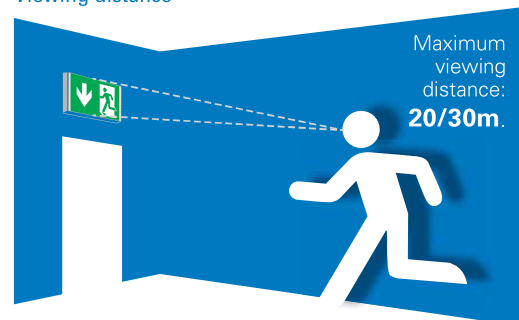
Installation options: Wall, ceilings and recessed

Ceiling, recessed, tube suspension and cable versions

External push button for manual execution of test



### Viewing distance



### Applications:

Hotels, restaurants, meeting rooms, offices, shops, cinemas, theaters, museums

### LEDs for increased safety

Longevity, instant start up, high efficiency and compact size are the features that make LEDs especially suitable for emergency and safety lighting. Precise matching along with low temperatures and low operating current guarantees high luminous efficiency with maximum service life.



**1 LED Lightguide technology**

- Perfect, standard compliant illumination
- Low energy requirements
- LEDs for increased safety with 50.000 hours service life

**2 CGLine+ LED electronics**

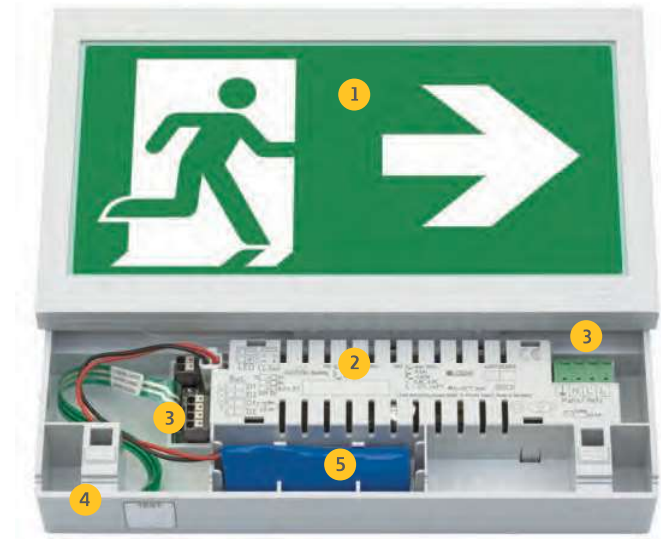
- Can be used for Maintained mode and Non-Maintained mode
- Fully automatic function test (weekly) or duration test (every 6 months)
- 1 minute switch-back delay to normal operation after mains return
- Blocking function prevents unintentional discharge during idle operating times (via CGLine+ webcontroller)
- Convenient and concise central monitoring in combination with CGLine+ webcontroller or CG Vision visualisation Software

**3 Optimised connection technology**

- Spacious insertion areas
- Equipped for through-wiring of mains cable and CGLine bus live double terminals and 4 cable terminals

**4 Display and test unit**

- Testing button for manual triggering of function test and duration test
- Simple fault analysis with bicolor LED (light source charging or battery fault) and status display (operation, function test, duration test)
- Setting of dimming level in mains operation (100%, 30%, 10%)



**5 Innovative Lilon technology**

- Large capacity with compact design
- 1 version for 1h, 3h and 8h emergency lighting operation
- No memory effect
- Environmental friendly: no heavy metals and energy-optimized charging process due to low self-discharge
- Simple replacement via polarity reversal protected plug-in contacts and snap mounting

**Lightguide technology for optimal illumination**

The highly developed Lightguide technology converts the high point-sourced luminance of the LED into an illuminated surface with absolute uniform brightness, with luminance of over 500 cd/m<sup>2</sup> on white surface. Therefore the escape sign always remains easily recognisable even with poor visibility conditions or in bright surroundings.

Despite the very good photometric values, the new Lightguide technology with particularly efficient LEDs requires up to 60% less energy compared to previous escape sign luminaires with fluorescent lamps.

**Photometric requirements for escape sign  
DIN 4844-1 (2005-05) and ISO 3864-1 (2002):**

$L_m \geq 500 \text{ cd/m}^2$  (white surface)  
For applications in bright ambient conditions (mains operation)

**ISO 30061 (2007):**

$L_{min} = 10 \text{ cd/m}^2$  (green surface)  
In smoky conditions. The luminaires should be suspended by at least 0.5m

**EN 1838 (2013):**

$L_{min} = 2 \text{ cd/m}^2$  (green surface)  
Emergency lighting operation



Badly illuminated escape sign



GuideLed  $\geq 100 \text{ cd/m}^2$   $\geq 500 \text{ cd/m}^2$

# 5.2

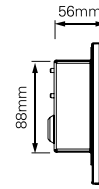
## Exit signs - Indoor

### GuideLed

#### Wall Mount



#### Wall Recessed

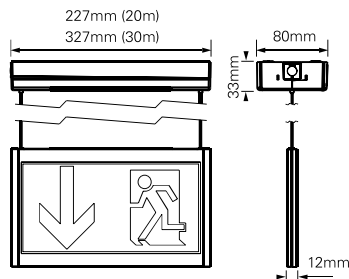


**5** GuideLed 10811 - 20m  
GuideLed 11811 - 30m

GuideLed 10812 - 20m  
GuideLed 11812 - 30m

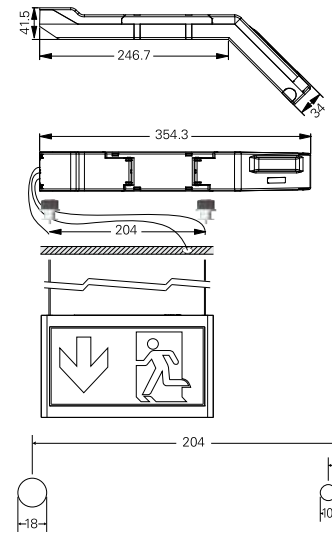
Order code	Description				
40071353260	Wall mounting set for GuideLed, 20m and 30m, CGLine+	20m : 4.8 VA / 4.1 W 30m : 5.3 VA / 4.7 W	1h-3h-8h	Lilon 3.7 / 2Ah	Maintained / Non-Maintained
40071353261	Wall Recessed mounting set for GuideLed, 20m, CGLine+	4.8 VA / 4.1 W	1h-3h-8h	Lilon 3.7 / 2Ah	Maintained / Non-Maintained
40071353262	Wall Recessed mounting set for GuideLed, 30m, CGLine+	5.3 VA / 4.7 W	1h-3h-8h	Lilon 3.7 / 2Ah	Maintained / Non-Maintained
40071354500	LED pictogram LEFT, 11x11/11x12, 20m				
40071354501	LED pictogram RIGHT, 11x11/11x12, 20m				
40071354502	LED pictogram DOWN, 11x11/11x12, 20m				
40071354530	LED pictogram LEFT, 11x11/11x12, 30m				
40071354531	LED pictogram RIGHT, 11x11/11x12, 30m				
40071354532	LED pictogram DOWN, 11x11/11x12, 30m				

#### Ceiling mounted Suspended



GuideLed 10825 - 20m  
GuideLed 11825 - 30m

#### Ceiling recessed mounted Suspended



GuideLed 10826 - 20m  
GuideLed 11826 - 30m



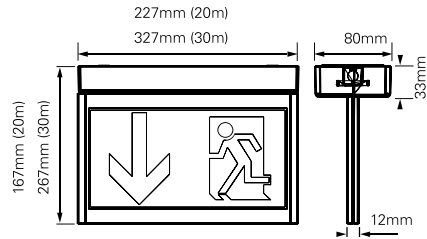
Wire installation with ceiling wire holders, LED supply for mounting in cavity ceiling

Order code	Description				
40071353268	Wire suspension set 10825, with canopy, 20m, CGLine+	5.6 VA / 5.1 W	1h-3h-8h	Lilon 3.7 / 2Ah	Maintained / Non-Maintained
40071353273	Wire suspension set 11825, with canopy, 30m, CGLine+	6.6 VA / 6.3 W	1h-3h-8h	Lilon 3.7 / 2Ah	Maintained / Non-Maintained
40071353263	Wire suspension set 10826/11826, with ceiling holders, 20/30m	20m: 5.6 VA / 5.1 W 30m: 6.6 VA / 6.3 W	1h-3h-8h	Lilon 3.7 / 2Ah	Maintained / Non-Maintained
40071354510	LED pictogram (left/right), 10x25/10x26 (wire), 20m				
40071354540	LED pictogram (left/right), 11x25/11x26 (wire), 30m				
40071354511	LED pictogram (down/down), 10x25/10x26 (wire), 20m				
40071354512	LED pictogram (left/blank), 10x25/10x26 (wire), 20m				
40071354513	LED pictogram (right/blank), 10x25/10x26 (wire), 20m				
40071354514	LED pictogram (down/blank), 10x25/10x26 (wire), 20m				
40071354541	LED pictogram (down/down), 11x25/11x26 (wire), 30m				
40071354542	LED pictogram (left/blank), 11x25/11x26 (wire), 30m				
40071354543	LED pictogram (right/blank), 11x25/11x26 (wire), 30m				
40071354544	LED pictogram (down/blank), 11x25/11x26 (wire), 30m				

Ceiling Mounting



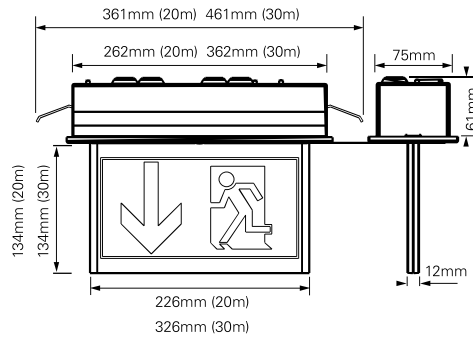
GuideLed 10821 - 20m  
GuideLed 11821 - 30m



Ceiling recessed



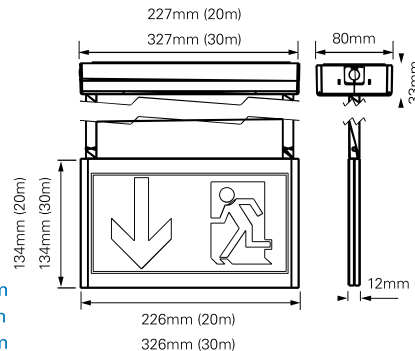
GuideLed 10824 - 20m  
GuideLed 11824 - 30m



Ceiling tube suspended



GuideLed 10822 - 20m - pendant tube 0,5m  
GuideLed 11822 - 30m - pendant tube 0,5m  
GuideLed 10823 - 20m - pendant tube 1,5m  
GuideLed 11823 - 30m - pendant tube 1,5m



5

Order code	Description	⚡	🕒	🔋	⚙️
40071353264	Ceiling mounting set 10821, with canopy 20m	5.6 VA / 5.1 W	1h-3h-8h	Lilon 3.7 / 2Ah	Maintained / Non-Maintained
40071353265	Ceiling mounting set 10822, with canopy and 0,5m pendant tube, 20m	5.6 VA / 5.1 W	1h-3h-8h	Lilon 3.7 / 2Ah	Maintained / Non-Maintained
40071353266	Ceiling mounting set 10822, with canopy and 0,5m pendant tube, 30m	5.6 VA / 5.1 W	1h-3h-8h	Lilon 3.7 / 2Ah	Maintained / Non-Maintained
40071353267	Ceiling mounting set 10824, ceiling recessed housing, 20m	5.6 VA / 5.1 W	1h-3h-8h	Lilon 3.7 / 2Ah	Maintained / Non-Maintained
40071353269	Ceiling mounting set 11821, with canopy 30m	6.6 VA / 6.3 W	1h-3h-8h	Lilon 3.7 / 2Ah	Maintained / Non-Maintained
40071353270	Ceiling mounting set 11822, with canopy and 0,5m pendant tube, 30m	6.6 VA / 6.3 W	1h-3h-8h	Lilon 3.7 / 2Ah	Maintained / Non-Maintained
40071353271	Ceiling mounting set 11822, with canopy and 1,5m pendant tube, 30m	6.6 VA / 6.3 W	1h-3h-8h	Lilon 3.7 / 2Ah	Maintained / Non-Maintained
40071353272	Ceiling mounting set 11824, ceiling recessed housing, 30m	6.6 VA / 6.3 W	1h-3h-8h	Lilon 3.7 / 2Ah	Maintained / Non-Maintained
40071354503	LED pictogram (left/right), 10x21/10x22, 10x23, 10x24, 20m				
40071354504	LED pictogram (down/down), 10x21/10x22, 10x23, 10x24, 20m				
40071354505	LED pictogram (left/blank), 10x21/10x22, 10x23, 10x24, 20m				
40071354506	LED pictogram (right/blank), 10x21/10x22, 10x23, 10x24, 20m				
40071354507	LED pictogram (down/blank), 10x21/10x22, 10x23, 10x24, 20m				
40071354508	LED pictogram (left/right), 10x21/10x22, 10x23, 10x24, 20m vertical				
40071354509	LED pictogram (left/right), 10x21/10x22, 10x23, 10x24, 20m vertical				
40071354533	LED pictogram (left/right), 11x21/11x22, 11x23, 11x24, 30m				
40071354534	LED pictogram (down/down), 11x21/11x22, 11x23, 11x24, 30m				
40071354535	LED pictogram (left/blank), 11x21/11x22, 11x23, 11x24, 30m				
40071354536	LED pictogram (right/blank), 11x21/11x22, 11x23, 11x24, 30m				
40071354537	LED pictogram (down/blank), 11x21/11x22, 11x23, 11x24, 30m				
40071354538	LED pictogram (left/right), 11x21/11x22, 11x23, 11x24, 30m vertical				
40071354539	LED pictogram (left/right), 11x21/11x22, 11x23, 11x24, 30m vertical				