

Safety Luminaire

FlexiTech SE AT



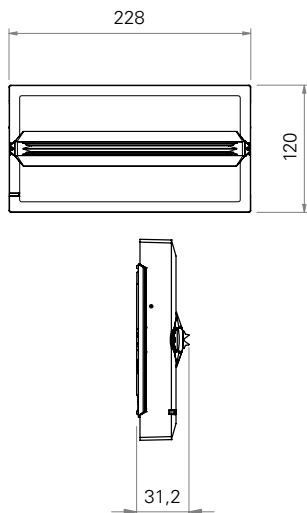
FlexiTech SE AT

- LED self-contained luminaire with Automatic Test (AT) for reduced inspection effort
- Safety luminaire, light distribution optimized for escape route application
- Non obtrusive design and slim housing (31.2 mm)
- Good lighting performance and spacing in a compact housing
- Possibility to modify the light distribution by changing the optical lens (option)
- Same aesthetic in IP43 and IP65 versions
- Selectable operating time (1/1,5/2/3h operation)
- Selectable operation mode (M or NM) via jumper
- Large working space, cable entries in flexible material and spirit level for easy and fast installation
- Transparent base plate with honeycomb footprint for easy replacement of existing products (IP4x use only)
- Low eco footprint thanks to eco designed luminaire, low consumption and Lithium battery
- Simple fault analysis and status display via bicolor LED
- Complete range of accessories (Recess Kit for Ceiling, Recessed Box for plaster and brick wall, Wire Guard)
- Other colours available on demand

FlexiTech SE



Dimensions in mm



Luminous flux Φ_e/Φ_N at end of rated operating time	150-300 lm versions: 100% @ 1h, 68% @ 1.5h, 50% @ 2h, 42% @ 3h 600 lm versions: 100% @ 1h, 68% @ 1.5h, 50% @ 2h, 33% @ 3h
Illumination in mains mode	100 lm
Operation	Maintained / Non-Maintained (via jumper)
Testing system	Automatic Test in compliance with EN 62034
Rest mode	Rest mode function and test via remote control (TLU)
Housing	
Type of mounting	Surface-mounting
Material	Polycarbonate
Colour	White RAL9003
Degree of protection	IP43 or IP65 / IK07
Terminals	Screwless terminals for flexible and rigid wires From 0,5 to 2,5 mm ²
Connection voltage	220 - 240 V AC, 50/60 Hz
Permissible ambient temperature	5°C to 45°C, 0°C to 45°C in maintained mode
Battery	LifePo
Light source	LED
Dimensions	120 × 228 × 31.2 mm
Insulation Class	II

Ordering details

Order code	IP	IK	Duration (h)	lm in emergency				lm in mains	Operation	Consumption				Battery	Weight (kg)
				1h	1.5h	2h	3h			NM VA	NM W	M VA	M W		
FT2SE150ATT13	43	7	1/1,5/2/3	150	100	75	60	100	MNM	1	0.4	5	2	FT-BAT2	0.4
FT2SE150ATT13IP	65	7	1/1,5/2/3	150	100	75	60	100	MNM	1	0.4	5	2	FT-BAT2	0.4
FT2SE300ATT13	43	7	1/1,5/2/3	300	200	150	125	100	MNM	1	0.4	5	2	FT-BAT2	0.4
FT2SE300ATT13IP	65	7	1/1,5/2/3	300	200	150	125	100	MNM	1	0.4	5	2	FT-BAT2	0.4
FT2SE600ATT13	43	7	1/1,5/2/3	600	400	300	200	100	MNM	1	0.4	5	2	FT-BAT3	0.4
FT2SE600ATT13IP	65	7	1/1,5/2/3	600	400	300	200	100	MNM	1	0.4	5	2	FT-BAT3	0.4

Accessories

	FT2-RKC	Recess Kit for Ceiling, compatible with FlexiTech SE and FlexiTech ED (ceiling position)
	FT2-WG	Wire Guard, compatible with FlexiTech SE and FlexiTech ED
	FT2SE-RB	Recessed Box for plaster and brick compatible with FlexiTech SE
	FT2SE-LO	Lens with light distribution optimized for Open area, compatible with FlexiTech SE
	FT-BAT2	Battery Pack, LifePo 3,2V / 1,5Ah
	FT-BAT3	Battery Pack, LifePo 3,2V / 3Ah