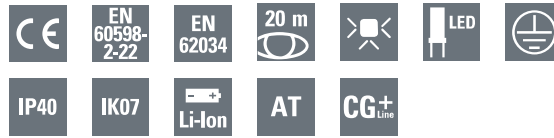


5.6 Exit signs - Indoor

Exit cube

5



- Modular design of the polycarbonate cube for simple and safe mounting by just sliding cube onto installed luminaire
- Easy and flexible mounting options with space to land cables- Ceiling, wall, cable and chain
- Robust design with impact-resistance of IK07

Light Source:

4x 1W LED

The Exit Cube has three-sided illumination, making it suitable for large and wide areas, for example warehouses or retail areas. Optimal perceptibility of the luminaire is achieved by the high luminance of the white contrasting colour (>500 cd/m²).

Materials:

Cube: Polycarbonate;
Enclosure: Stainless steel
Housing White RAL9010
Lithium ion battery

Several mounting options are available (ceiling, wall, cable or chain suspension) for use in various applications. One, three or eight hours rated operating duration can be freely specified according to application.

The use of LEDs, automatic testing and monitoring devices (CGLine+) significantly reduce the operating and maintenance costs of the installation.

Installation:

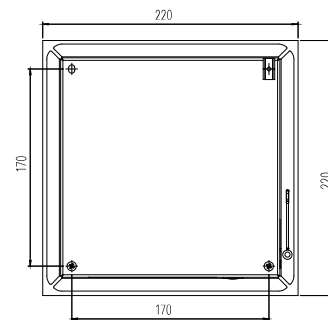
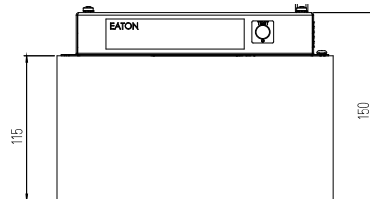
Easy and flexible mounting options (ceiling, wall, cable and chain)

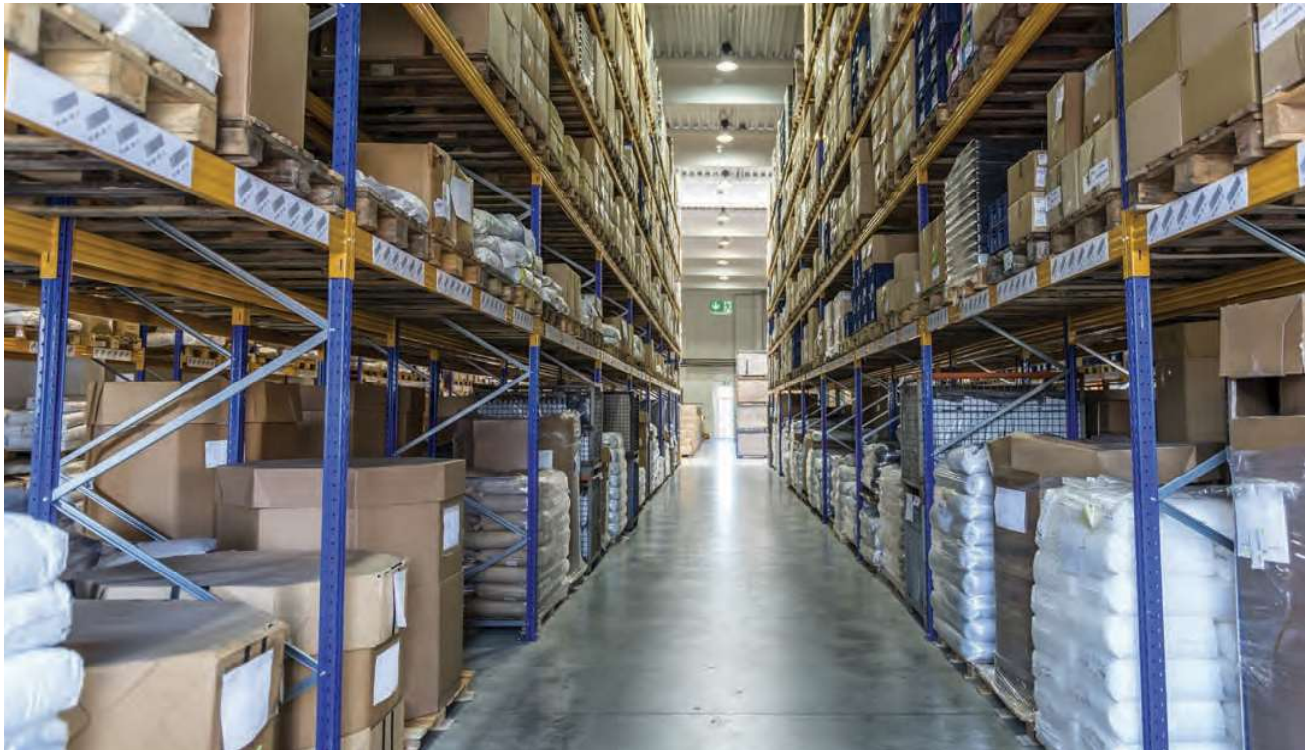
Operation :

Universal use for maintained and non-maintained operation and for 1 h, 3 h or 8 h operation

Applications:

Large wide areas, warehouses, retail areas





Order code	Description					
40071353420	Exit Cube 33822 1-8h/D LED CGLine+: Enclosure and exit sign cube, including silkscreened pictograms (arrow left, right, down) acc. to ISO		8.8 VA/8.3 W	1h, 3h, 8h	Li-Ion 3.7V/4Ah	Maintained / Non-Maintained



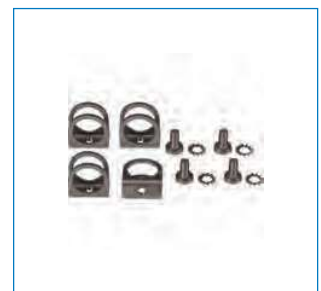
Replacement escape sign cube



Wall bracket



Cable mounting kit



Chain mounting kit

Accessories

40071353444	Wall bracket incl. attachments	
40071353457	Chain mounting kit with 4 eyelets (chain not included)	
40071353443	Cable mounting kit with 4 fasteners and cables, adjustable hanging height (max. 1.5m)	
40071354450	Replacement escape sign cube (20 m viewing distance) silkscreened pictograms (arrow left, right, down) acc. to ISO	