

# Weatherproof Telephone FernTel-W

Convenient built-in telephone for rough environmental conditions



## Overview

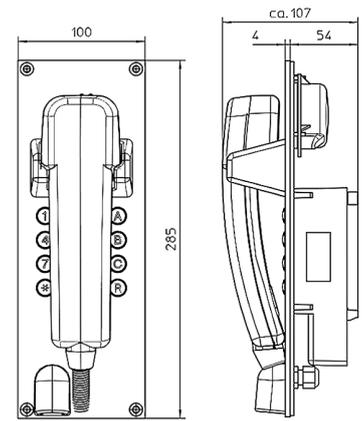
The FernTel-W built-in telephone is easily installed into tables and desks, e.g. in control rooms or alarm centres. Without any additional effort, the device may also be mounted vertically. Due to its complete equipment provided as standard, the FernTel-W may be universally applied. It can be connected to every telephone branch with analogue interface.

## Features

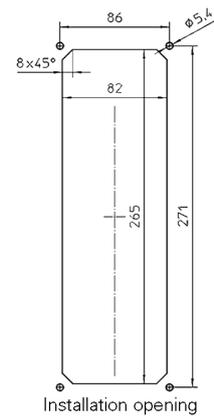
- Analogue telephone for indoor and outdoor application
- Illuminated keypad
- Protection class IP 65
- 6 direct dialling keys (programmable)

Technical data	
Supply voltage	24 VDC bis 66 VDC
Supply current	19 ... 90 mA
Ringing AC voltage	30 ... 90 VAC
Ringing frequency	15 ... 65 Hz
Mounting plate	V2A stainless steel
Keypad	Illuminated
Handset rest	Plastic
Handset cord	Armoured or spiral cord
Handset housing	Polycarbonat
Handset colour	Standard black
Ringing volume	80 dB(A) (can be lowered to 30 dB or muted)
Handset volume	Adjustable up to 12 dB (A) above normal volume
Operating position	0° - 90° (Horizontal table to vertical wall mounting)
Receiver and transmitter capsule	elektrodynamische kapsule
Terminal capacity of connection terminals	up to 1.5 mm <sup>2</sup>
Operating temperature	-25 °C ... 60 °C
Housing protection class according to IEC 60529	IP65

General arrangement (all dimensions in mm)



with connection terminals



## Ordering requirements

Type	Designation	Model	Art.-No.
FemTel-W	Weatherproof telephone	with illuminated keypad, with spiral cord	FHF 112 644 31
FemTel-W	Weatherproof telephone	with illuminated keypad, with armoured cord	FHF 112 644 32
Accessories			
Surface-mounted housing	For FernTel-W		FHF 118 900 07