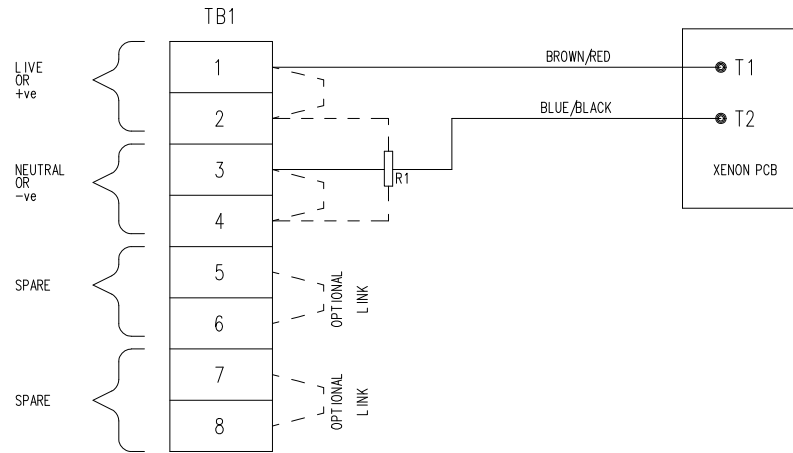
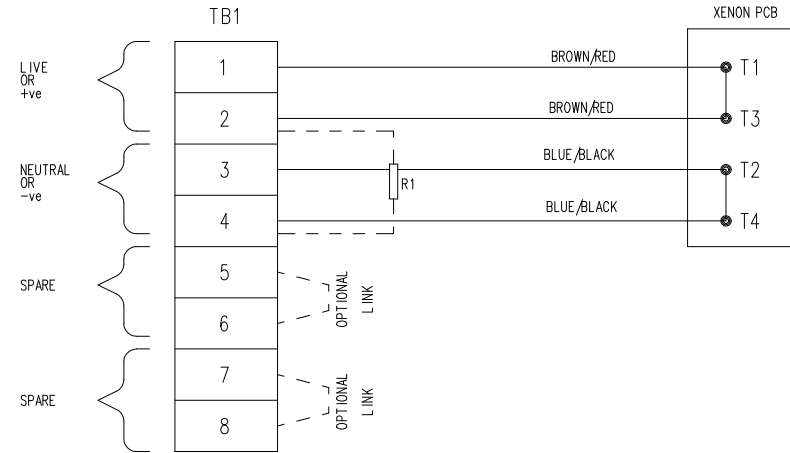
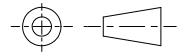


2 WIRE



4 WIRE

DO NOT SCALE



NOTES:

R1 = EOL RESISTOR ( SEE BOM FOR DETAILS )----- IF FITTED.



MEDCG, Colliery Road, Pinxton,  
Nottingham NG16 6JF, U.K.  
Tel: +44 (0)1773 812249  
fax: +44 (0)1773 580282

DESIGNERS & MANUFACTURERS  
OF ELECTRICAL & ELECTRONIC  
EQUIPMENT & SYSTEMS FOR  
HAZARDOUS AREAS

**CURRENT  
PRODUCTION COPY**

ALL DIMENSIONS ARE  
IN MILLIMETRES UNLESS  
OTHERWISE STATED

REMOVE ALL BURRS  
AND SHARP EDGES

MACHINE  
SYMBOLS THUS

THIS DRAWING IS CONFIDENTIAL  
AND IS THE PROPERTY OF MEDCG  
AND MUST NOT BE REPRODUCED  
EITHER WHOLLY OR PARTLY.  
ALL RIGHTS IN RESPECT OF  
PATENTS, DESIGNS AND  
COPYRIGHT ARE RESERVED.

DRAWN BY:  
S. HUNT

DATE:  
1-10-92

CHECKED BY:  
SJM

DATE:  
8-10-93

APPROVED BY:  
SJM

DATE:  
8-10-93

SCALE: 1-1

SIZE **A4**

TITLE  
XB4 EExd 2 WIRE & 4 WIRE  
WIRING DIAGRAM

DRG No. 188-165

ISSUE D

ISSUES

B.04-05-10.DW  
C.21-01-11.GE  
D.08-11-12.DW