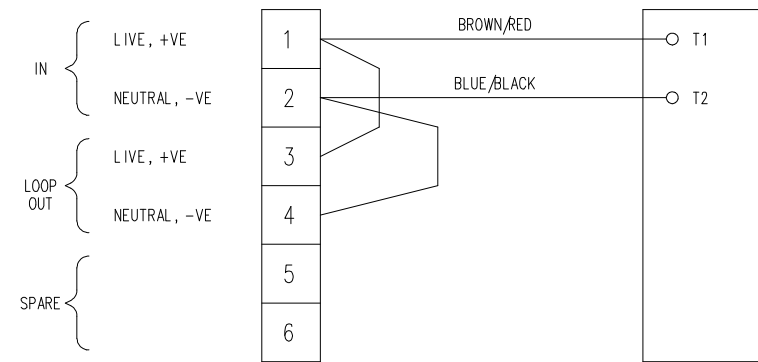
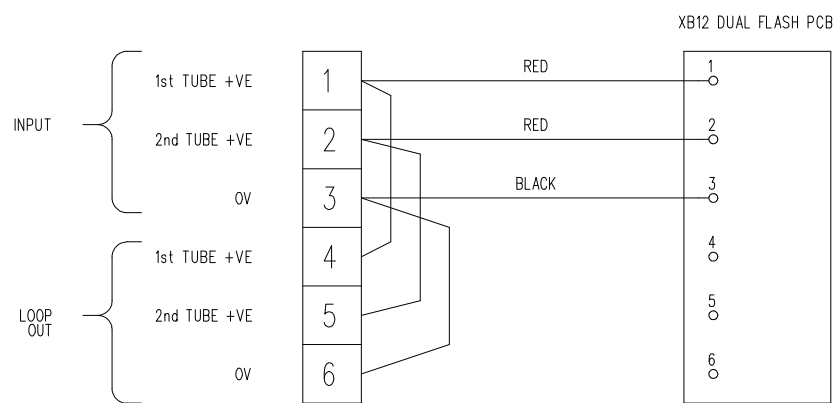


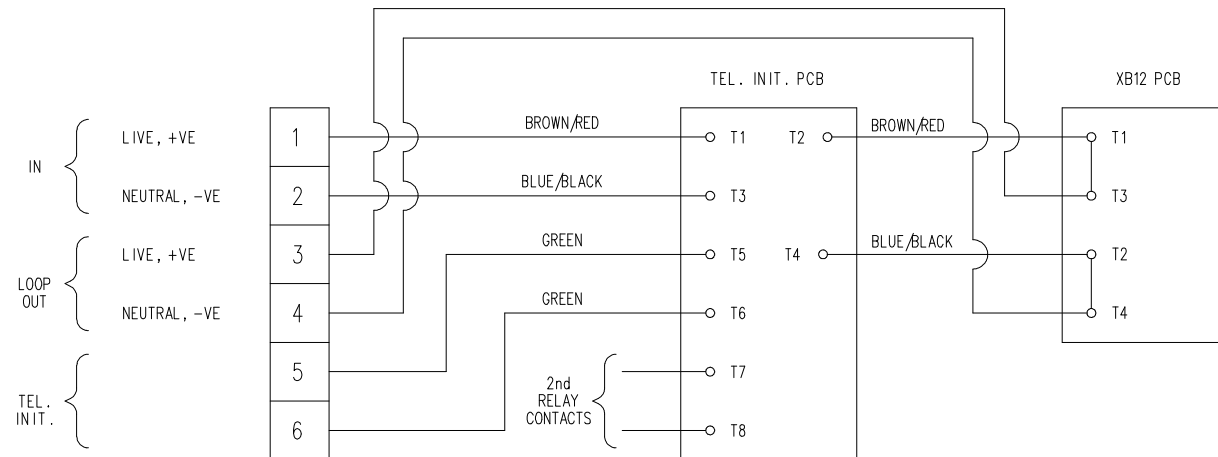
WIRING DETAILS FOR XB12 PARALLEL OPERATION TWIN TUBE ONLY. 4 WIRE.



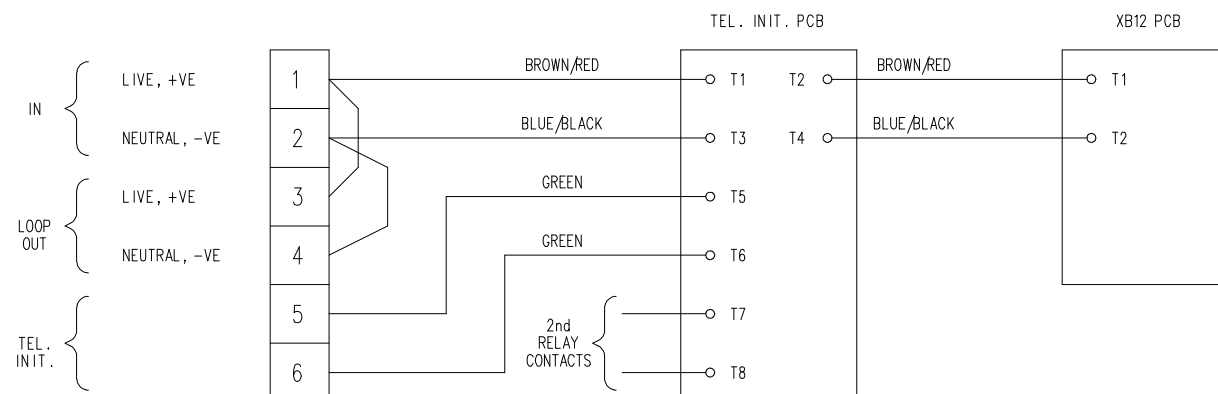
WIRING DETAILS FOR XB12 PARALLEL OPERATION TWIN TUBE ONLY. 2 WIRE.



WIRING DETAILS FOR XB12 INDIVIDUAL TUBE OPERATION ONLY.



TELEPHONE INITIATE WIRING DETAILS. 4 WIRE.



TELEPHONE INITIATE WIRING DETAILS. 2 WIRE.

CURRENT PRODUCTION COPY

WARNING
THIS DRAWING RELATES TO A CERTIFIED PRODUCT.
NO MODIFICATIONS PERMITTED WITHOUT THE AUTHORISATION OF THE TECHNICAL MANAGER

ISSUES
B. 12-07-00 SH
C. 07-08-00 SH
D. 04-12-00 SH
E. 04-05-10 DW

ALL DIMENSIONS ARE IN MILLIMETRES UNLESS OTHERWISE STATED
REMOVE ALL BURRS AND SHARP EDGES
MACHINE SYMBOLS THIS μm

THIS DRAWING IS CONFIDENTIAL AND IS THE PROPERTY OF MEDC AND MUST NOT BE REPRODUCED EITHER WHOLLY OR PARTLY. ALL RIGHTS IN RESPECT OF PATENTS, DESIGNS AND COPYRIGHT ARE RESERVED.

	MEDC, Colliery Road, Pinxton, Nottingham NG16 6JF, U.K. Tel: +44 (0)1773 812249 fax: +44 (0)1773 580282	DESIGNERS & MANUFACTURERS OF ELECTRICAL & ELECTRONIC EQUIPMENT & SYSTEMS FOR HAZARDOUS AREAS
	DRAWN BY: S. TOMLINSON CHECKED BY: M. DOWSING APPROVED BY: C. FOSTER SCALE: NTS	DATE: 14-8-98 DATE: 3-9-98 DATE: 1-9-98 SIZE: A3
	DRG No. 226-109	ISSUE E