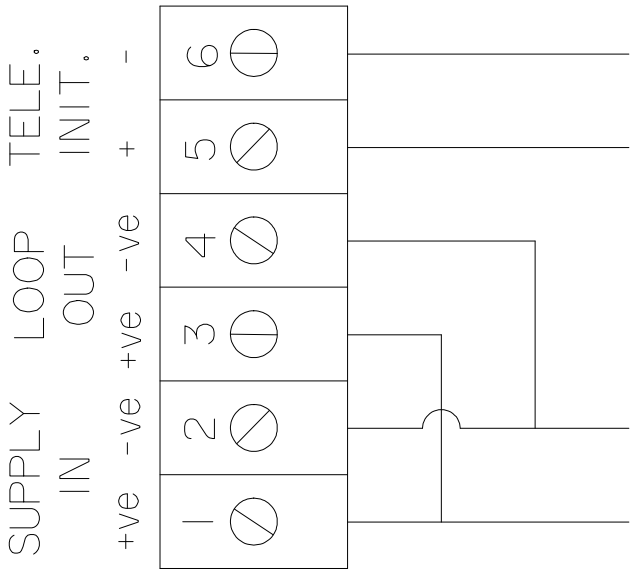
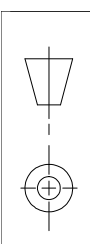


DO NOT SCALE



TO LINE BUSHING

CURRENT PRODUCTION COPY

CELL BOOK D

ISSUES
B. 04/04/01 MDS

THIS DRAWING IS CONFIDENTIAL AND IS THE PROPERTY OF MEDC AND MUST NOT BE REPRODUCED EITHER WHOLLY OR PARTLY. ALL RIGHTS IN RESPECT OF PATENTS, DESIGNS AND COPYRIGHT ARE RESERVED

ALL DIMENSIONS ARE IN MILLIMETRES UNLESS OTHERWISE STATED

REMOVE ALL BURRS AND SHARP CORNERS

MACHINE SYMBOLS THUS

MEDC Ltd, Colliery Road, Pinxton
 Nottingham NG16 6JF, U.K.
 Tel: +44 (0)1773 864100
 Fax: +44 (0)1773 582800
 e-mail: info@medc.com web: www.medc.com
 DESIGNERS & MANUFACTURERS OF ELECTRICAL & ELECTRONIC EQUIPMENT & SYSTEMS FOR HAZARDOUS AREAS

DRAWN BY:	M.SELDEN	DATE:	13/03/01	TITLE:	WIRING DIAGRAM
CHECKED BY:	P.OATES	DATE:	13/03/01		XBIO EExde XENON BEACON
APPROVED BY:	M.SELDEN	DATE:	13/03/01		
SCALE:	NTS	SIZE:	A4	DRG No.	228-158
				ISSUE	B