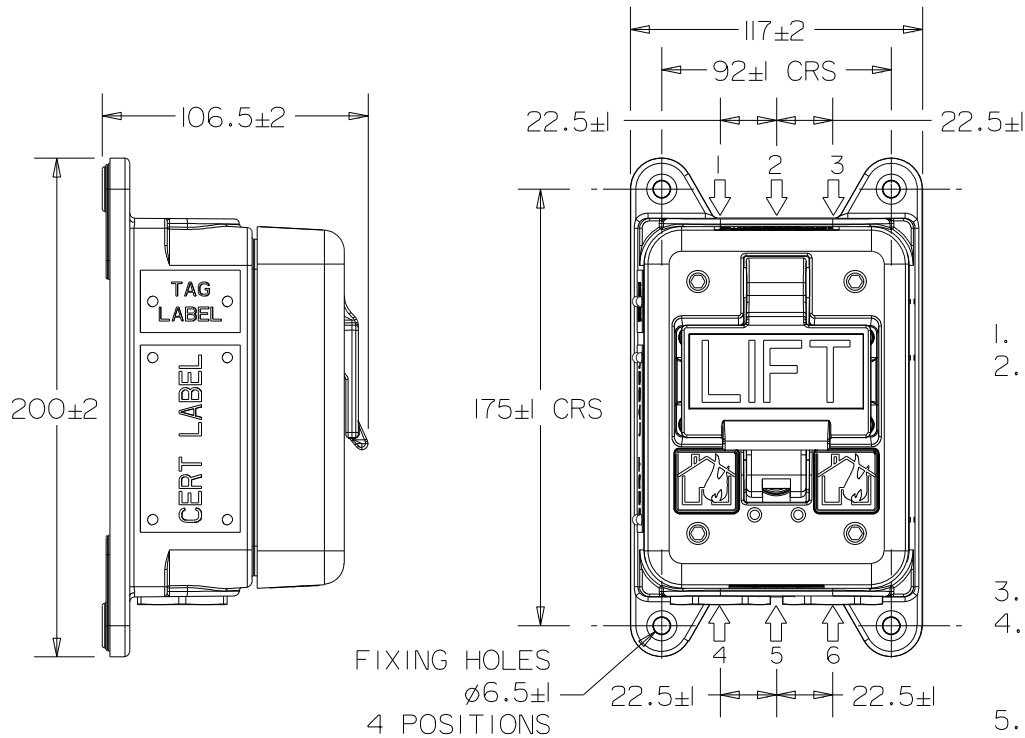
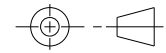
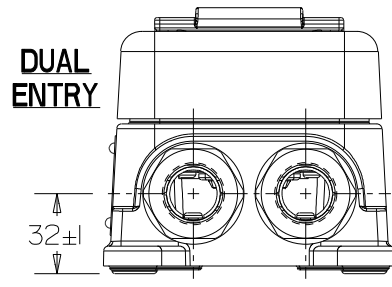
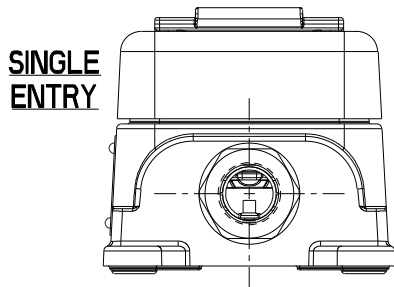


DO NOT SCALE



FIXING HOLES  
 $\phi 6.5 \pm 1$   
 4 POSITIONS



1. TYPE PHI
2. CERTIFICATION DETAILS:  
 ATEX: I TSIIATEXI17308X  
 II 2 GD Ex d IIC T6 Gb  
 Ex tb IIIC T85°C Db IP66/67  
 IECEx: IECEx ITS II.002IX  
 Ex d IIC T6 Gb  
 Ex tb IIIC T85°C Db IP66/67
3. AMBIENT TEMPERATURE RANGE: -55°C to +70°C
4. MATERIAL:  
 BODY/COVERS/HANDLES - GLASS REINFORCED POLYESTER  
 FIXINGS - STAINLESS STEEL
5. WEIGHT: 2.6 ±0.3 Kg
6. TERMINALS ARE SUITABLE FOR UP TO 2.5mm<sup>2</sup> CABLE
7. TAG LABEL (OPTIONAL): LETTER SIZE 5mm MAX.
8. DUTY LABEL: BURNING HOUSE LOGO AS STANDARD
9. CABLE ENTRIES: UP TO M25 IN  
 POSITIONS 1, 2, 3, 4, 5 & 6, MAXIMUM 2 OFF PER UNIT



MEDC Ltd, Colliery Road, Pinxton  
 Nottingham NG16 6JF, U.K.  
 Tel: +44 (0)1773 864100  
 Fax: +44 (0)1773 582800  
 e-mail: info@medc.com web: www.medc.com

DESIGNERS & MANUFACTURERS  
 OF ELECTRICAL & ELECTRONIC  
 EQUIPMENT & SYSTEMS FOR  
 HAZARDOUS AREAS

ISSUES	ALL DIMENSIONS ARE IN MILLIMETRES UNLESS OTHERWISE STATED	THIS DRAWING IS CONFIDENTIAL AND IS THE PROPERTY OF MEDC AND MUST NOT BE REPRODUCED EITHER WHOLLY OR PARTLY. ALL RIGHTS IN RESPECT OF PATENTS, DESIGNS AND COPYRIGHT ARE RESERVED	DRAWN BY: P.FISHWICK	DATE: 22-07-11	TITLE  PHI PULL HANDLE CALL POINT ATEX / IECEx CUSTOMER GA	
	REMOVE ALL BURRS AND SHARP CORNERS		CHECKED BY: D.COATES	DATE: 22-07-11		
	MACHINE SYMBOLS THUS <input checked="" type="checkbox"/>		APPROVED BY: M.SLACK	DATE: 22-07-11		
			SCALE: A 4	SIZE: A 4	DRG No. 330-120	ISSUE A