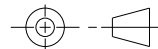
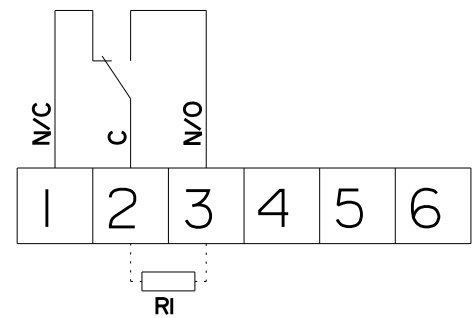


DO NOT SCALE

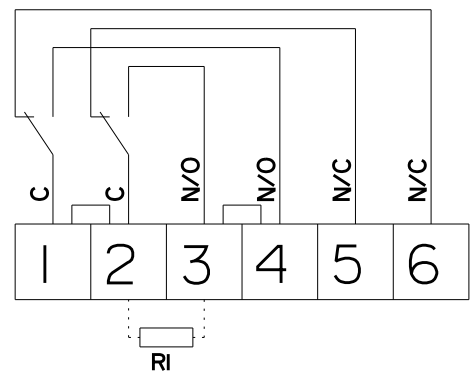


**CURRENT
PRODUCTION COPY**

SINGLE SWITCH



DOUBLE SWITCH



WIRE COLOURS

CONTACT	WIRE COLOUR	
	CROUZET	BURGESS
COMMON	BLACK	RED
N/C	GREY	YELLOW
N/O	BLUE	BLUE

NOTES:

1. CIRCUITS SHOWN BEFORE PULL HANDLE IS OPERATED (I.E. SWITCH IS IN UN-ACTUATED POSITION)
2. RI: EOL RESISTOR (REFER TO PARTS LIST FOR VALUE)



MEDC Ltd, Colliery Road, Pinxton
Nottingham NG16 6JF, U.K.
Tel: +44 (0)1773 864100
Fax: +44 (0)1773 582800
e-mail: info@medc.com web: www.medc.com

DESIGNERS & MANUFACTURERS
OF ELECTRICAL & ELECTRONIC
EQUIPMENT & SYSTEMS FOR
HAZARDOUS AREAS

ISSUES	B. 29-09-II PF	ALL DIMENSIONS ARE IN MILLIMETRES UNLESS OTHERWISE STATED	THIS DRAWING IS CONFIDENTIAL AND IS THE PROPERTY OF MEDC AND MUST NOT BE REPRODUCED EITHER WHOLLY OR PARTLY. ALL RIGHTS IN RESPECT OF PATENTS, DESIGNS AND COPYRIGHT ARE RESERVED	DRAWN BY: P.FISHWICK	DATE: 22-07-09	TITLE PSI PRODUCTION WIRING DIAGRAM C/W EOL RESISTOR
		REMOVE ALL BURRS AND SHARP CORNERS		CHECKED BY: D.COATES	DATE: 22-07-09	
		MACHINE SYMBOLS THIS <input checked="" type="checkbox"/>		APPROVED BY: M.SLACK	DATE: 22-07-09	
				SCALE:	SIZE: A4	DRG No. 330-137