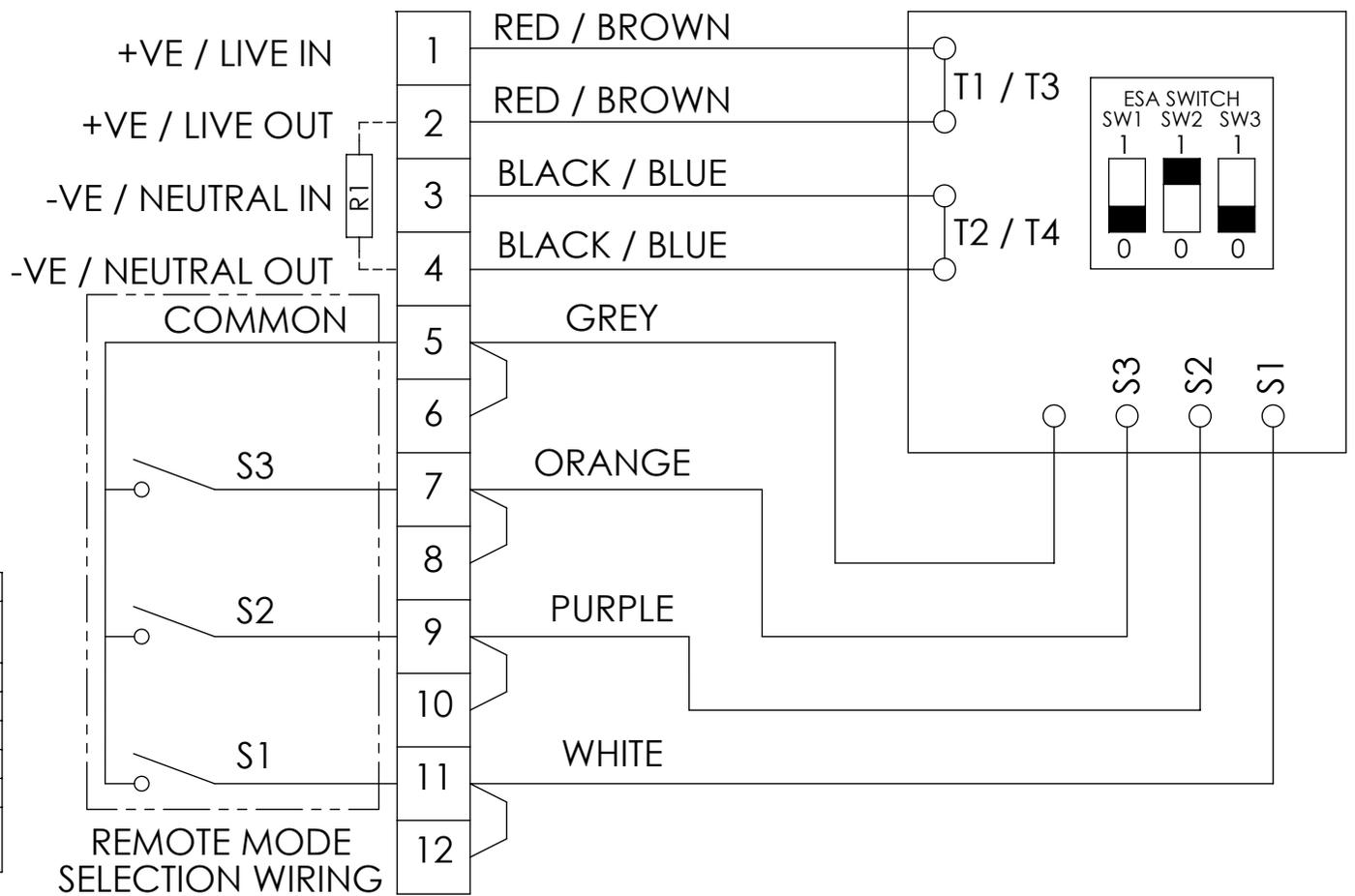


DO NOT SCALE



CURRENT PRODUCTION COPY



OPERATING MODES				
MODE No.	SW1	SW2	SW3	FUNCTION
0	0	0	0	OFF/REMOTE
1	0	0	1	120 FPM
2	0	1	0	60 FPM
3	0	1	1	80 FPM
4	1	0	0	STEADY
5	1	0	1	DOUBLE FLASH 40 FPM

- GENERAL NOTES:**
- EARTH TO BE CONNECTED TO STUD IN HOUSING
 - FOR REMOTE OPERATING MODE SELECTION, SET SWITCHES TO OFF (0,0,0) AND CLOSE ONE OR MORE OF THE CONTROL CONNECTIONS
 - R1 - OPTIONAL EOL RESISTOR

MEDC COOPER MEDC Ltd.
 UNIT B, SUTTON PARKWAY
 ODDICROFT LANE
 SUTTON-IN-ASHFIELD, NG17 5FB. U.K.
 Tel: +44 (0)1623 444400
 Web: WWW.COOPERMEDC.COM

DESIGNERS & MANUFACTURERS
 OF ELECTRICAL & ELECTRONIC
 EQUIPMENT & SYSTEMS
 FOR HAZARDOUS
 AREAS

ISSUES B. 29-04-15 PF C. 30-09-16 PF D. 11-07-17 PF	ALL DIMENSIONS ARE IN MILLIMETRES UNLESS OTHERWISE STATED	THIS DRAWING IS CONFIDENTIAL AND IS THE PROPERTY OF MEDC AND MUST NOT BE REPRODUCED EITHER WHOLLY OR PARTLY. ALL RIGHTS IN RESPECT OF PATENTS, DESIGNS AND COPYRIGHT ARE RESERVED	DRAWN BY: P.FISHWICK	DATE: 31/01/2013	TITLE: LD15 ATEX / IECEX CUSTOMER WIRING DETAIL	SHT 1 OF 2
	REMOVE ALL BURRS AND SHARP CORNERS	MACHINE SYMBOLS THUS	CHECKED BY: D.COATES	DATE: 26/04/2013		
			APPROVED BY: P.FISHWICK	DATE: 26/04/2013		
				SCALE:1:1	A4	DWG NO. 379-123

DO NOT SCALE

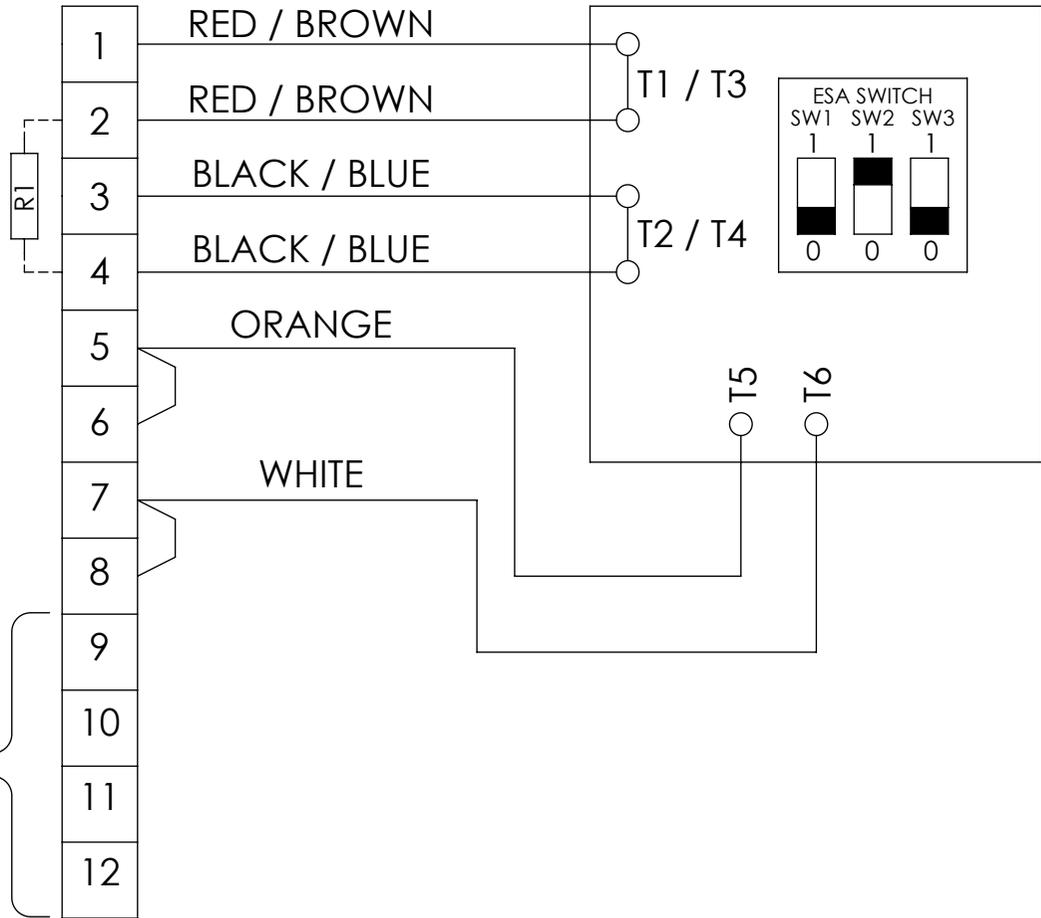


CURRENT PRODUCTION COPY

+VE / LIVE IN
 +VE / LIVE OUT
 -VE / NEUTRAL IN
 -VE / NEUTRAL OUT

(REMOTE INITIATE OPTION)

+VE / LIVE IN
 +VE / LIVE OUT
 -VE / NEUTRAL IN
 -VE / NEUTRAL OUT



OPERATING MODES				
MODE No.	SW1	SW2	SW3	FUNCTION
0	0	0	0	OFF/REMOTE
1	0	0	1	120 FPM
2	0	1	0	60 FPM
3	0	1	1	80 FPM
4	1	0	0	STEADY
5	1	0	1	DOUBLE FLASH 40 FPM

(NOT USED)

GENERAL NOTES:

- EARTH TO BE CONNECTED TO STUD IN HOUSING
- REMOTE INITIATE OPTION IS AVAILABLE AS EITHER TELEPHONE OR RELAY INITIATE VERSIONS
- REMOTE OPERATING MODE SELECTION IS NOT AVAILABLE WHEN REMOTE INITIATE OPTION HAS BEEN SPECIFIED.
- R1 - OPTIONAL EOL RESISTOR



COOPER MEDC Ltd.
 UNIT B, SUTTON PARKWAY
 ODDICROFT LANE
 SUTTON-IN-ASHFIELD, NG17 5FB. U.K.
 Tel: +44 (0)1623 444400
 Web: WWW.COOPERMEDC.COM

DESIGNERS & MANUFACTURERS
 OF ELECTRICAL & ELECTRONIC
 EQUIPMENT & SYSTEMS
 FOR HAZARDOUS
 AREAS

ISSUES B. 29-04-15 PF C. 30-09-16 PF D. 11-07-17 PF	ALL DIMENSIONS ARE IN MILLIMETRES UNLESS OTHERWISE STATED REMOVE ALL BURRS AND SHARP CORNERS MACHINE SYMBOLS THUS	THIS DRAWING IS CONFIDENTIAL AND IS THE PROPERTY OF MEDC AND MUST NOT BE REPRODUCED EITHER WHOLLY OR PARTLY. ALL RIGHTS IN RESPECT OF PATENTS, DESIGNS AND COPYRIGHT ARE RESERVED	DRAWN BY: P.FISHWICK CHECKED BY: D.COATES APPROVED BY: P.FISHWICK SCALE: 1:1	DATE: 31/01/2013 DATE: 26/04/2013 DATE: 26/04/2013 A4	TITLE: LD15 ATEX / IECEX CUSTOMER WIRING DETAIL DWG NO. 379-123	SHT 2 OF 2 REVISION D
--------------------------------------------------------------	---------------------------------------------------------------------------------------------------------------------------------	-----------------------------------------------------------------------------------------------------------------------------------------------------------------------------------	-------------------------------------------------------------------------------------------	--------------------------------------------------------------------	----------------------------------------------------------------------------------	------------------------------