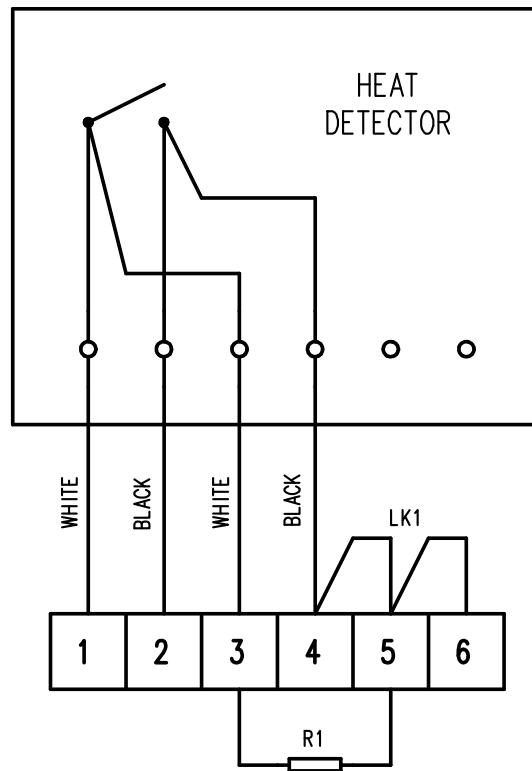
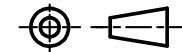


NOTES -

1. R1 - EOL RESISTOR (REFER TO PARTS LIST FOR VALUE).

2. LK1 - USE WIRE LINKS

DO NOT SCALE



**CURRENT
PRODUCTION COPY**

CELL NO. D



MEDC Ltd, Colliery Road, Pinxton,
Nottingham NG16 6JF, U.K.
Tel: +44 (0)1773 864100
fax: +44 (0)1773 582800
e-mail: info@medc.com
web: www.medc.com

DESIGNERS & MANUFACTURERS
OF ELECTRICAL & ELECTRONIC
EQUIPMENT & SYSTEMS FOR
HAZARDOUS AREAS

ISSUES

B. 24-09-07 SO

ALL DIMENSIONS ARE
IN MILLIMETRES UNLESS
OTHERWISE STATED

REMOVE ALL BURRS
AND SHARP EDGES

MACHINE
SYMBOLS THUS

THIS DRAWING IS CONFIDENTIAL
AND IS THE PROPERTY OF MEDC
AND MUST NOT BE REPRODUCED
EITHER WHOLLY OR PARTLY.
ALL RIGHTS IN RESPECT OF
PATENTS, DESIGNS AND
COPYRIGHT ARE RESERVED.

DRAWN BY:
P. FISHWICK

DATE:
18-11-03

CHECKED BY:
J. PLUMB

DATE:
18-11-03

APPROVED BY:
P. FISHWICK

DATE:
18-11-03

SCALE:
N.T.S.

SIZE
A4

TITLE

HEAT DETECTOR

C/W EOL RESISTOR

WIRING DIAGRAM

DRG No.

465-120

ISSUE

B