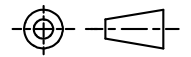
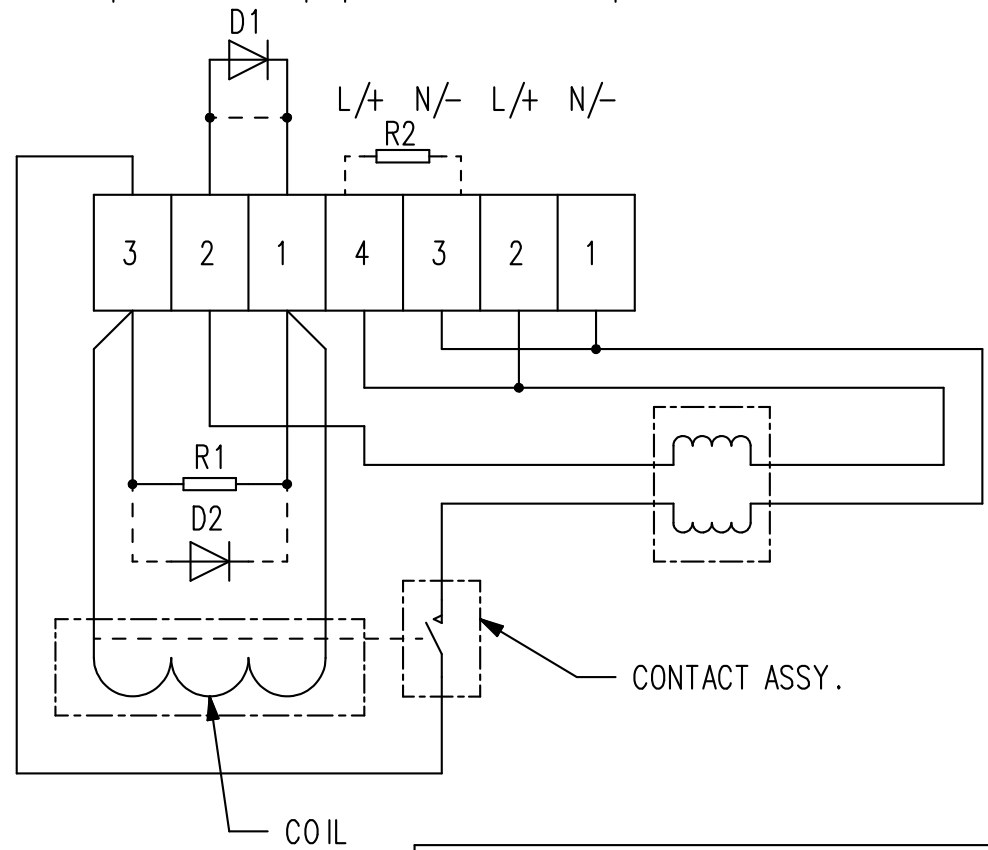


DO NOT SCALE



TB2 TB1 CUSTOMERS CONNECTIONS



**CURRENT  
PRODUCTION COPY**

----- OPTIONAL COMPONENT POSITIONS  
R2 - EOL RESISTOR REFER TO PARTS LIST FOR VALUE. (IF FITTED).



MEDC, Colliery Road, Pinxton,  
Nottingham NG16 6JF, U.K.  
Tel: +44 (0)1773 812249  
fax: +44 (0)1773 580282

DESIGNERS & MANUFACTURERS  
OF ELECTRICAL & ELECTRONIC  
EQUIPMENT & SYSTEMS FOR  
HAZARDOUS AREAS

ISSUES	B:12-05-09.DW
	C:14-05-09.DW

ALL DIMENSIONS ARE IN MILLIMETRES UNLESS OTHERWISE STATED
REMOVE ALL BURRS AND SHARP EDGES
MACHINE SYMBOLS THUS

THIS DRAWING IS CONFIDENTIAL  
AND IS THE PROPERTY OF MEDC  
AND MUST NOT BE REPRODUCED  
EITHER WHOLLY OR PARTLY.  
ALL RIGHTS IN RESPECT OF  
PATENTS, DESIGNS AND  
COPYRIGHT ARE RESERVED.

DRAWN BY: S. HUNT	DATE: 07-06-99
CHECKED BY: B. MALBON	DATE: 07-06-99
APPROVED BY: B. TAYLOR	DATE: 07-06-99
SCALE:	SIZE A4

TITLE WIRING DIAGRAM	
DB6 24v DC	
DRG No.	198-167
ISSUE	C