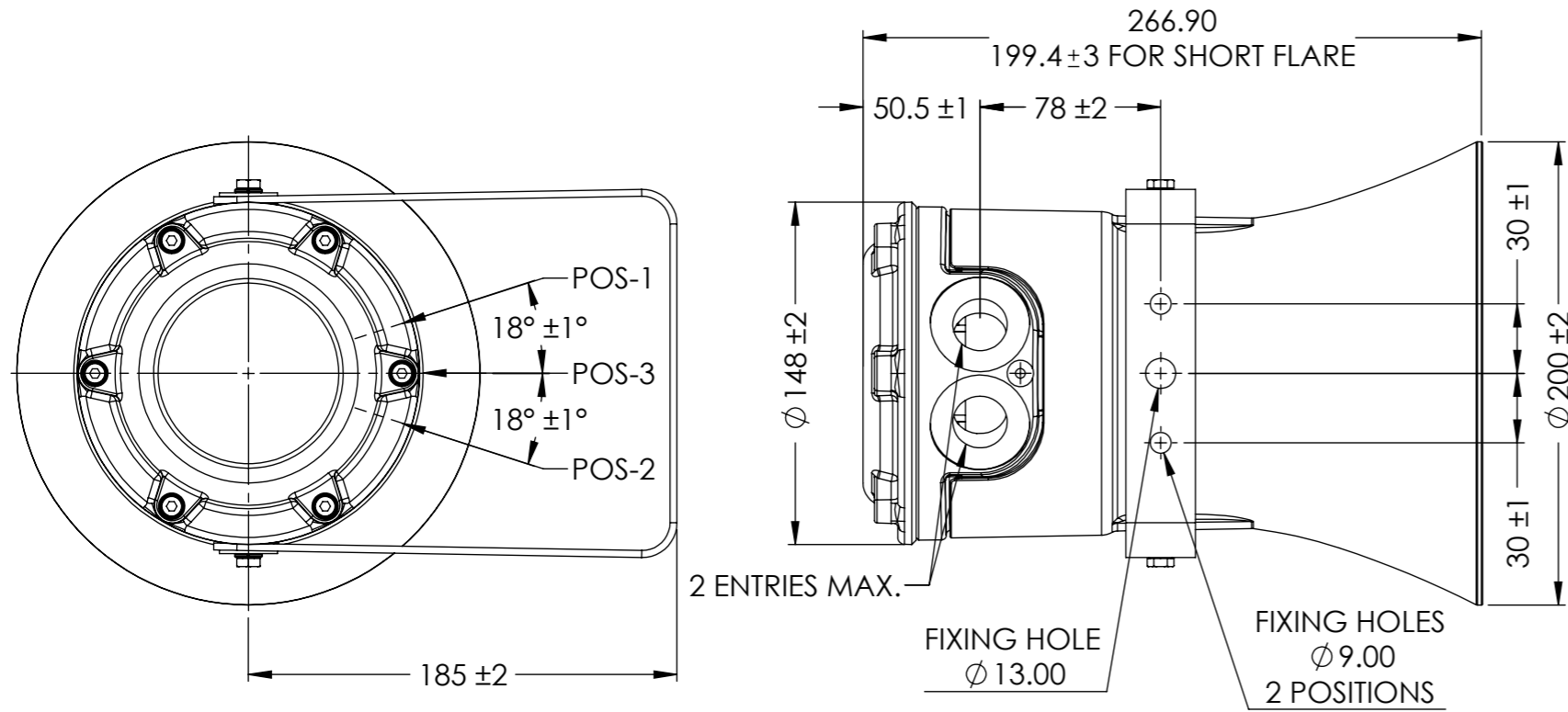
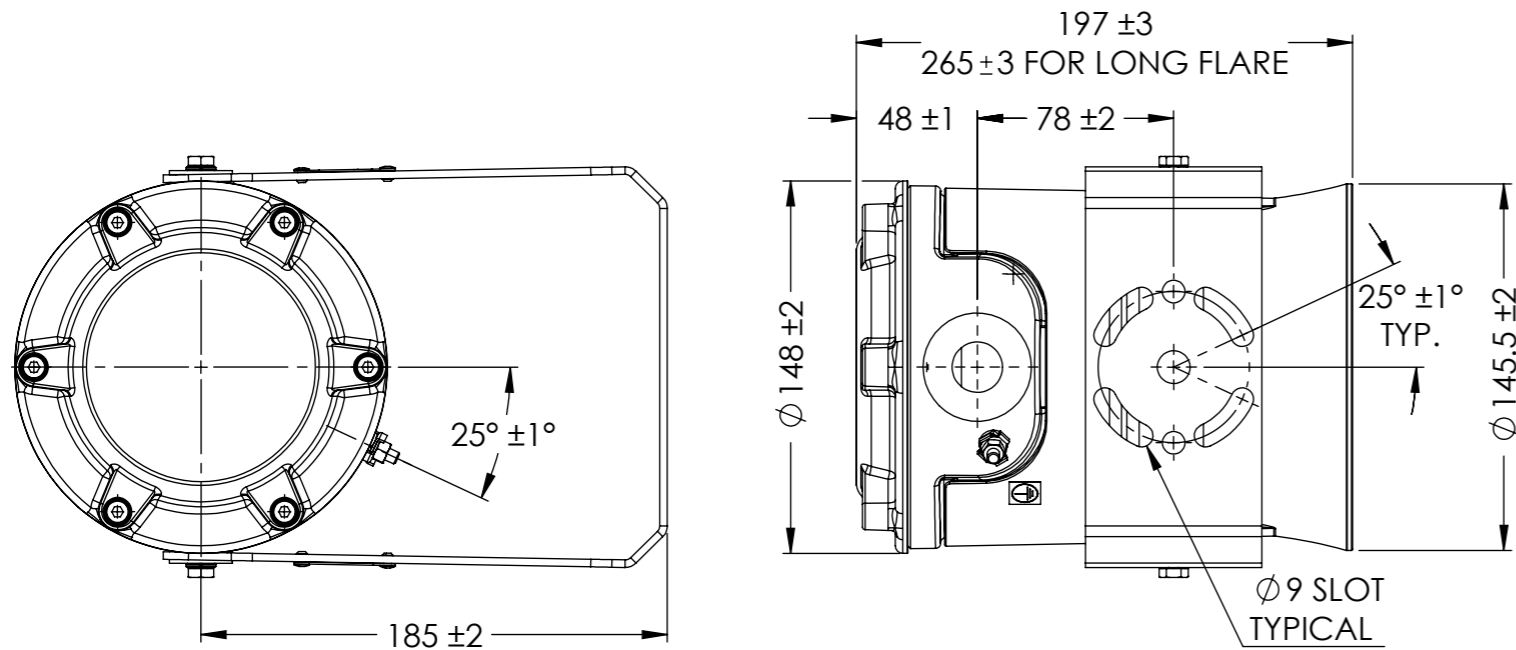


**ALUMINIUM ALLOY VERSION WITH LONG FLARE, STANDARD BRACKET AND TWIN CABLE ENTRIES**



- NOTES:
- UNIT TYPE: DB4BM LOUDSPEAKER
  - CERTIFICATION:
    - ATEX Ex db: CERT. NO. UL 21 ATEX02559X.  
Ex II 2 GD, Ex db IIC T\* Gb, Ex tb IIIC +\*°C Db (Tamb -60°C to +\*°C)  
IP66 (IP65 SHORT FLARE)
    - IECEx Ex db: CERT. NO. ULD 21.0017X.  
Ex db IIC T\* Gb, Ex tb IIIC \*°C Db (Tamb -60°C to +\*°C)  
IP66 (IP65 SHORT FLARE)
    - UKEx Ex db: CERT. NO. UL21UKEX2209X.  
Ex II 2 GD, Ex db IIC T\* Gb, Ex tb IIIC +\*°C Db (Tamb -60°C to +\*°C)  
IP66 (IP65 SHORT FLARE)
  - AMBIENT TEMPERATURE RANGE AND T-RATINGS - SEE TABLE
  - ENCLOSURE AND COVER MATERIAL: MARINE GRADE ALLOY OR STAINLESS STEEL
  - WEIGHT - ALLOY UNIT: 4.5±0.3Kg, STAINLESS STEEL UNIT: 8.4±0.3Kg
  - MAIN FLARE MATERIAL: FLAME RETARDANT THERMOPLASTIC POLYESTER
  - STIRRUP AND COVER FIXINGS: STAINLESS STEEL GRADE 316
  - OPTIONAL DUTY/TAG LABELS, LETTER SIZE 5mm MAX.
  - Ex d UNIT TERMINALS ARE SUITABLE FOR UP TO 2.5mm<sup>2</sup> MAX.
  - CABLE ENTRIES: UP TO 2xM25 OR 2x3/4" NPT IN POSITIONS SHOWN.

**STAINLESS STEEL VERSION WITH SHORT FLARE AND SINGLE CABLE ENTRY**



FOR UNITS WITH 2 ENTRIES, POSITIONS 1 AND 2 ARE USED. FOR UNITS WITH A SINGLE ENTRY, POSITION 3 IS USED.

BLANKING PLUGS ARE AVAILABLE.

MAX. POWER	Tamb.	T-RATING
8W	-60°C to +85°C	T4 / T135°C
	-60°C to +55°C	T5 / T100°C
	-60°C to +40°C	T6 / T85°C
15W	-60°C to +85°C	T4 / T135°C
	-60°C to +40°C	T5 / T100°C
25W/8Ω	-60°C to +85°C	T3 / T200°C
	-60°C to +70°C	T4 / T135°C
	-60°C to +40°C	T5 / T100°C

**ALL DIMENSIONS ARE COMMON TO ALL UNIT VARIATIONS UNLESS OTHERWISE STATED  
ALL DIMENSIONS ARE IN MILLIMETRES**

**EATON** DESIGNERS & MANUFACTURERS OF ELECTRICAL & ELECTRONIC EQUIPMENT & SYSTEMS FOR HAZARDOUS AREAS

EATON MEDC Ltd.  
UNIT B, SUTTON PARKWAY  
ODDICROFT LANE  
SUTTON-IN-ASHFIELD, NG17 5FB. U.K.  
Tel: +44 (0)1623 444400  
Web: WWW.COOPERMEDC.COM

ISSUES	GENERAL TOLERANCES UOS	ALL DIMENSIONS ARE IN MILLIMETRES UNLESS OTHERWISE STATED	THIS DRAWING IS CONFIDENTIAL AND IS THE PROPERTY OF MEDC AND MUST NOT BE REPRODUCED EITHER WHOLLY OR PARTLY. ALL RIGHTS IN RESPECT OF PATENTS, DESIGNS AND COPYRIGHT ARE RESERVED	DRAWN BY:	DATE:	TITLE:	DB4BM LOUDSPEAKER ATEX / IECEx / UKEx CUSTOMER GA	SHT 1 OF 1	
	LINEAR: ±0.25	REMOVE ALL BURRS AND SHARP CORNERS		CHECKED BY:	DATE:	A3			
	ANGULAR: ±0.5°	MACHINE SYMBOLS THUS		APPROVED BY:	DATE:				
	SURFACE FINISH: $\sqrt{3.2}$								
				SCALE:1:3	A3	DWG NO.	337-109	REVISION	A