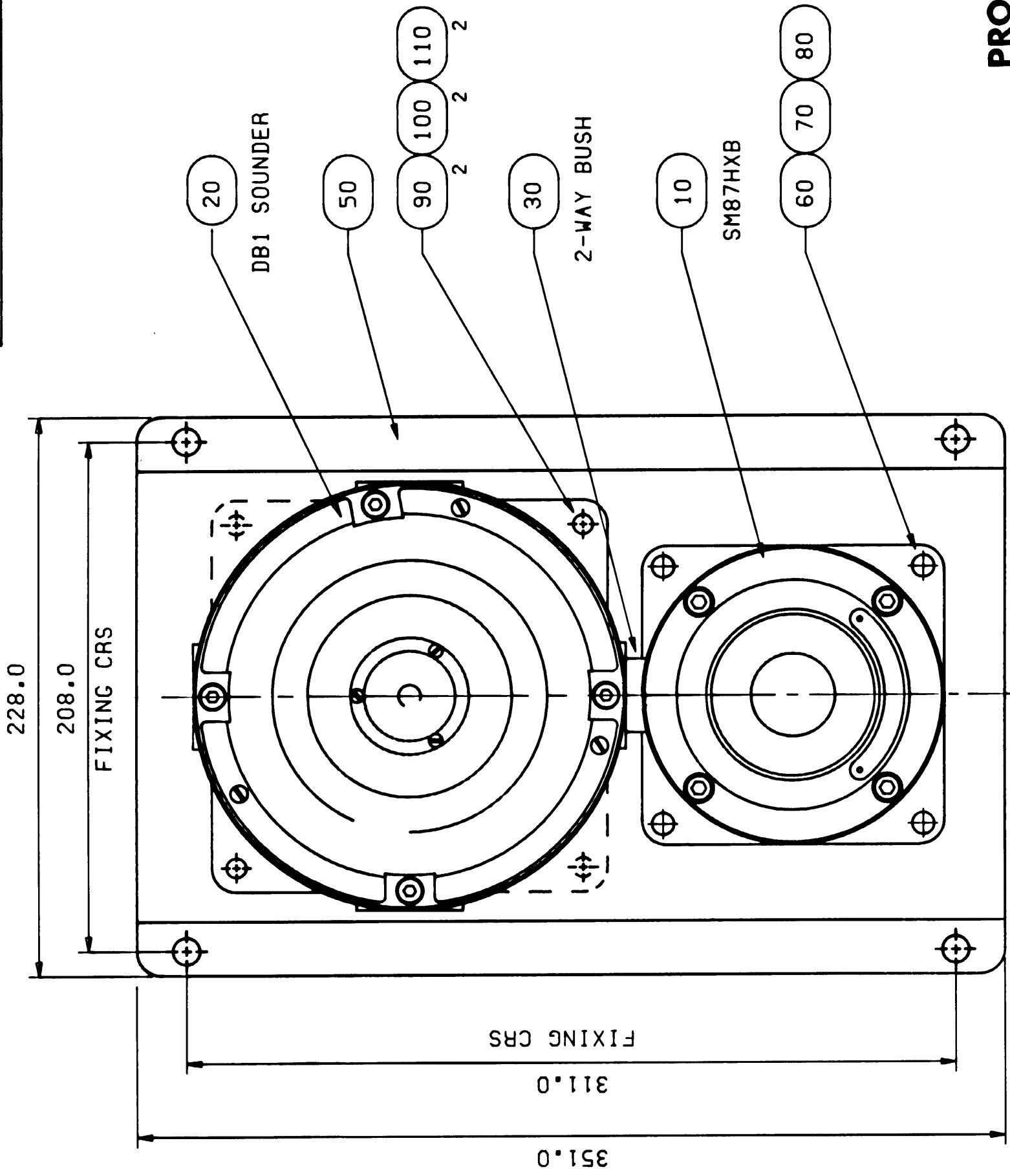


A B C D E F

**DO NOT SCALE**



NOTE  
SEE CUSTOMER ORDER  
FOR ENTRY DETAILS

**CURRENT**

**PRODUCTION COPY**



MEDCO, Colliery Road, Pinxton,  
Nottingham NG16 6JF, U.K.  
Tel: Ripley (01773) 812249  
Fax: (01773) 580282

DRN	SR 191	TITLE	GA OF SM87HXB & DB1 SOUNDER
CH'D	BT		
AP'D	WY		
SCALE	1-2		
SIZE	A3	DRG. No.	173-133
		ISSUE	D

WELDING TERMS & SYMBOLS TO BS 499 PART 2	CARBON STEEL TO BE WELDED IN ACCORDANCE WITH BS 5135	REMOVE ALL BURRS AND SHARP EDGES	ALL DIMENSIONS ARE IN MILLIMETRES UNLESS OTHERWISE STATED	ALL WELDS TO BRITISH STANDARDS
	STAINLESS STEEL TO BE WELDED IN ACCORDANCE WITH BS 3019 PT 2 - 1960	UP TO & INCLUDING	0 30 100 300 1000 2000	0 300 1000 2000
WELDS TO BE FREE FROM SLAG & SPLATTER	DELETED ONE	TOLERANCES TO BE AS SPECIFIED BELOW UNLESS OTHERWISE STATED	±0.1 ±0.15 ±0.2 ±0.3 ±0.5 ±0.8	±0.5 ±1.0 ±1.5 ±2.0 ±3.0 ±5.0
	RANGE		±0.3 ±0.5 ±1.0 ±1.5 ±2.0 ±3.0 ±5.0	
	INMACHINED		±0.5 ±1.0 ±1.5 ±2.0 ±3.0 ±5.0	

ISSUES	D. 224-96 REPLOTTED BY
THIS DRAWING IS CONFIDENTIAL AND IS THE PROPERTY OF MEDCO AND MUST NOT BE REPRODUCED EITHER WHOLLY OR PARTLY ALL RIGHTS IN RESPECT OF PATENTS, DESIGNS AND COPYRIGHT ARE RESERVED	