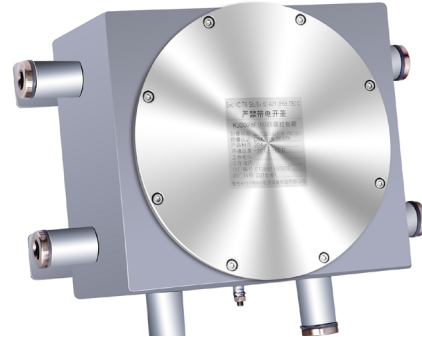


KJ2028E(III) Series

Ex d, weather proof
junction box



Overview

Made from 304 or 316L stainless steel and designed specifically for use in hazardous area and harsh environmental conditions, this hard wearing and corrosion resistant junction box series is suitable for use as CCTV auxiliary equipment in both onshore and offshore in oil & gas, marine, wind, chemical and many other industries where quality and durability are a pre-requisite.

With built-in power, media converters and engineering flexibility, the KJ2028E(III) range meets the most demanding power and transmission needs.

Features

- 304 or 316L Stainless Steel
- Available internal room of 250(L) x 220(W) x 100(H) mm
- 6 entries
- IP68
- Indoor, outdoor, weather proof

Certification

EX Mark Ex d IIC T6 Gb/Ex tD A21 IP68 T80°C

CNEC Certificate: CNEEx20.0830X

CCC Certificate: 2019312304000083

Specification

Material: 304 or 316L Stainless Steel

Ingress Protection: IP68

Internal Dimension: 250(L) x 220(W) x 100(H) mm, max diameter 192mm

Cable Entries: 6 x M25X1.5

Net Weight: 15Kg

Ship Weight: 18kg

Installation: wall mounting, bracket, foundation installation

Atmospheric Pressure: 80~110KPa

Operation Temp: -20°C to +60°C

Humidity: ≤95%RH (+25°C)

General arrangement (all dimensions in mm)

