

YHPTZ41 Series HD IP Camera Stations

PTZ, Single & Twin with
Illuminator for both Ex &
Safe/Harsh Area



Overview

Made from 316L stainless steel and designed specifically for use in hazardous area and or harsh environmental conditions, this hard wearing and corrosion resistant Pan, Tilt, Zoom camera station is suitable for a variety of applications both onshore and offshore in Oil & Gas, Marine, Wind, Chemical and many other industries where quality and durability are a pre-requisite.

The continuous 360° pan rotation and tilt from -90° to +90° gives an unrestricted view of the surrounding area. With ONVIF protocol as standard, a variety of mounting Brackets, wiper/washer tank options and an additional illuminator the YHPTZ41 has the operational capability for most demanding CCTV applications.

Features

- ATEX certified.
- IP68.
- 1080p HD IP camera.
- -40°C to +60°C.
- 316L Stainless Steel.
- 360° continuous pan rotation.
- +90° to -90° tilt rotation.
- Multiple scanning mode.
- Automatic Heater.
- Optional IR illuminator.
- Wiper.
- Optional hybrid IP and analog output.



Specifications

Ex certificate:	Presafe 14 ATEX 4570X
Ex mark:	
YHPTZ41	II 2 G Ex db op is IIC T6 Gb, Ex tb IIIC T80 °C Db
YHPTZ41-1	II 2 D Ex db IIC T6 Gb, Ex tb IIIC T80 °C Db
Material:	316L Stainless Steel.
Finish:	Polished
Operating Temp:	-40°C to +60°C.
Atmospheric pressure:	80~110KPa
Humidity:	≤95%RH (+25°C).
Ingress Protection:	IP68(1.2m / 45min)
Weight:	28Kg for YHPTZ41-1, 35Kg for YHPTZ41
Ship Weight:	31Kg for YHPTZ41-1, 38Kg for YHPTZ41
Wall Bracket Load:	100Kg
Voltage:	24VAC only applicable for NonEx, 110Vac to 240Vac (±10%), 50/60Hz.
Current:	<1A.
Power:	100W.
Communication:	Pelco D/P
Pan:	360° continuous.
Pan Speed:	0.1°/S to 40°/S.
Tilt:	+90° to -90°.
Tilt Speed:	0.1°/S to 40°/S.
Communication mode:	RS485.
Presets:	128.
Preset Accuracy:	≤0.1°.
Cable Connection:	Video type of IP: 3 cores for power and 8 cores for network Video type of hybrid IP and analog: 3 cores for power, 8 cores for network, 1 coaxial 75Ω±3Ω for analog video and 2 cores for RS485 control.
Cable Tail Length:	3M as standard Other lengths on request.
Automatic Heater:	Activates at -10°C.

IR Illuminator Specifications - applicable to YHPTZ41

View Distance:	100m
View Angle:	10°
Wavelength:	850nm
Colour Temperature	N/A
Control:	Auto/Manual

Camera options

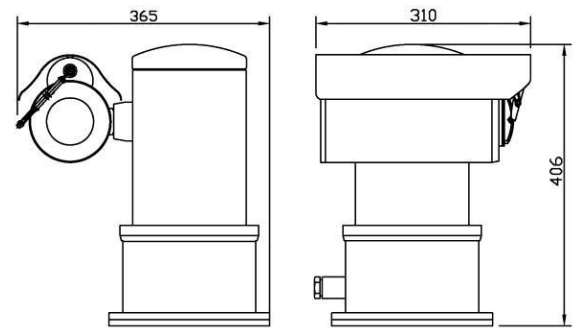
22x zoom 3MP HD IP camera		33x zoom 3MP HD IP camera	
Image sensor	Progressive scan CMOS 1/2.8"	Image Sensor	Progressive scan CMOS 1/2.8"
Resolution	2304 x 1296 @ 30fps	Resolution	2304 x 1296 @ 60fps
Lens	22x optical zoom 5.2~114.4mm F1.5~F3.8, horizontal angle of view 53.74° - 2.96°	Lens	33x optical zoom 4.5~148.5mm F1.5~F4.0, horizontal angle of view 62.93° - 3.67°
Min. illumination	Colour : 0.002Lux (F1.5, AGC ON), B/W 0.001Lux (F1.5, AGC ON)	Min. Illumination	Colour : 0.001Lux (F1.5, AGC ON), B/W 0.0005Lux (F1.5, AGC ON)
Streaming	Triple streams in H.264, H.265	Streaming	Five streams in H.264, H.265
Features	AGC, AE,AWB,TDN,DNR,BLC,EIS,WDR,Defog,OSD,Day & Night Auto Colour/BW (IR-cut with auto switch)	Features	AGC, AE,AWB,TDN,DNR,BLC,EIS,WDR,Defog,OSD,Day & Night Auto Colour/BW (IR-cut with auto switch)
Standards protocols	L2TP, IPv4, IGMP, ICMP, ARP, TCP, UDP, DHCP, PPPoE, RTP, RTSP, DNS, DDNS, NTP, FTP, UPnP, HTTP, SNMP, SIP.	Standards Protocols	L2TP, IPv4, IGMP, ICMP, ARP, TCP, UDP, DHCP, PPPoE, RTP, RTSP, DNS, DDNS, NTP, FTP, UPnP, HTTP, SNMP, SIP.

22x zoom 5MP HD IP camera

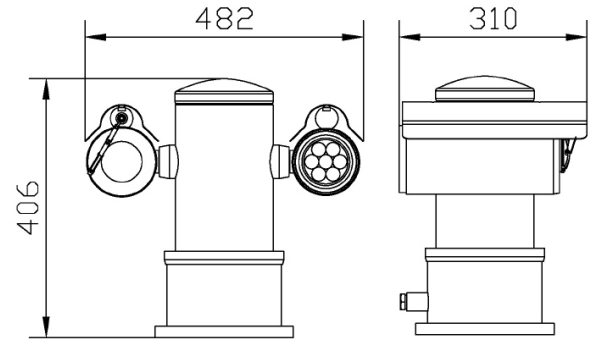
Image Sensor	Progressive scan CMOS 1/2.7"
Resolution	2880 x 1620 @ 30fps
Lens	22x optical zoom 5.2~114.4mm F1.5~F3.8, horizontal angle of view 55.46° - 3.09°
Min. Illumination	Colour : 0.003Lux (F1.5, AGC ON), B/W 0.001Lux (F1.5, AGC ON)
Streaming	Triple streams in H.264, H.265
Features	AGC, AE,AWB,TDN,DNR,BLC,EIS,WDR,Defog,OSD,Day & Night Auto Colour/BW (IR-cut with auto switch)
Standards Protocols	L2TP, IPv4, IGMP, ICMP, ARP, TCP, UDP, DHCP, PPPoE, RTP, RTSP, DNS, DDNS, NTP, FTP, UPnP, HTTP, SNMP, SIP.

General arrangement drawing (all dimensions in mm)

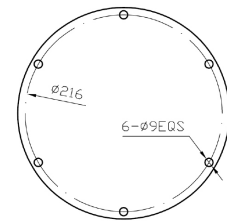
YHPTZ41-1



YHPTZ41



Mounting dimensions (all dimensions in mm)



Ordering requirements

The following code is designed to help in selection of the correct unit. Build up the reference number by the code for each selection. Any special requirement please consult Eaton technical sales department.

