

# XP40 HD IP series

## Explosion proof PTZ camera station



### Overview

The Oxalis XP40 is an explosion protected PTZ camera station for use in hazardous areas in onshore, offshore, marine and heavy industrial environments.

Our camera stations are designed and manufactured for longevity in harsh environments with minimal maintenance

### Features

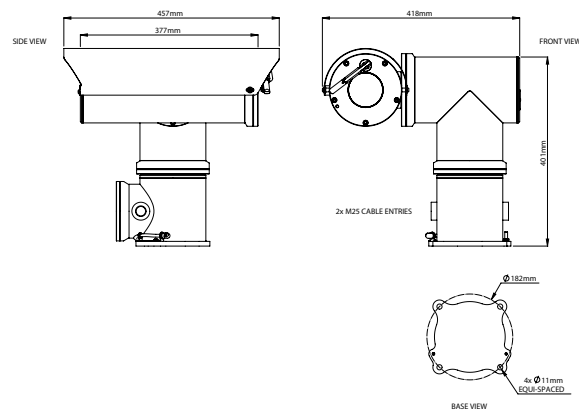
- ATEX & IECEx certified
  - Electro-polished 316L stainless steel finish
  - Camera station window in toughened glass
  - Pole or wall mounting options (see separate datasheets)
  - Supply voltage options (24, 110, 230 VAC, 50/60Hz or 24 VDC)
  - Operating temperature from -60°C to +70°C\*
  - IP66/67
- \*Model dependent



## Certifications

|                                 |                                                  |
|---------------------------------|--------------------------------------------------|
| ATEX                            | II 2 G Ex db (op pr) IIC T4 Gb -60°C to +70°C    |
|                                 | II 2 D Ex tb (op pr) IIIC T140°C Db IP6x         |
|                                 | On Request: T5 -60°C to +65°C, T6 -60°C to +40°C |
|                                 | On request: T135 -60°C to +65°C                  |
| Certificate: ITS16ATEX101021X   |                                                  |
| IECEX                           | Ex db (op pr) IIC T4 Gb -60°C to +70°C           |
|                                 | Ex tb (op pr) IIIC T140°C Db IP6x                |
|                                 | On Request: T5 -60°C to +65°C, T6 -60°C to +40°C |
|                                 | On request: T135 -60°C to +65°C                  |
| Certificate: IECEx ITS 15.0068X |                                                  |
| INMETRO                         | Ex db (op pr) IIC T4 Gb -60°C to +70°C           |
|                                 | Ex tb (op pr) IIIC T140°C Db IP6x                |
|                                 | On Request: T5 -60°C to +65°C, T6 -60°C to +40°C |
|                                 | On request: T135 -60°C to +65°C                  |
| Certificate: UL-BR 17.0063X     |                                                  |

## General arrangement drawing (all dimensions in mm)



## Specifications

| Features                                                                                                                                              | Electrical                                                                                              |
|-------------------------------------------------------------------------------------------------------------------------------------------------------|---------------------------------------------------------------------------------------------------------|
| <b>Sun shield</b> Standard stainless steel 316L mirror finish                                                                                         | <b>Supply voltage options</b> 24, 110, 230 VAC, 50/60Hz or 24 VDC                                       |
| <b>Integral wiper</b> Optional (silicone wiper blades that are resistant and do not perish after long exposure to ozone, UV, ice, snow, heat or cold) | <b>Power consumption</b> 80W maximum (143W with low temperature operation)                              |
| <b>Integral demister</b> Standard                                                                                                                     | <b>Electrical connections</b> Terminal block for power, data and video specific to camera configuration |
| <b>Integral washer pump</b> Not applicable                                                                                                            | <b>Cable entry</b> 2 x M25 entries located in the base (1 plugged)                                      |
| <b>Washer systems</b> Compatible with Oxalis XW or XWP washer tanks (see datasheets)                                                                  | <b>Mechanical</b>                                                                                       |
| <b>Pan speed (maximum)</b> 45° per second                                                                                                             | <b>Body material</b> Electro-polished 316L stainless steel on all welded assemblies                     |
| <b>Tilt speed (maximum)</b> 24° per second                                                                                                            | <b>Fixings material</b> A4 stainless steel                                                              |
| <b>Pre-set positional accuracy</b> 64 presets: positional accuracy±0.1°                                                                               | <b>Camera station window</b> Toughened glass                                                            |
| <b>Telemetry receiver</b> Integral - Pelco D, standard protocol (others to specification)                                                             | <b>Mounting options</b> Pole or wall (see separate datasheets)                                          |
| <b>Rotation</b> Continuous pan or 350° rotation (+/- 175° from straight ahead)                                                                        | <b>Operating temperature</b> From -60°C to +70°C (model dependent)                                      |
| <b>IP direct fibre out options</b> Optional media converter, duplex/simplex singlemode 9/125µm or multimode 50/125µm, 10/100Mb Ethernet, IEEE 802.3   | <b>Weight (Kg)</b> Up to 33 kg depending on configuration                                               |
| <b>IP over coax</b> Optional integrated IP Ethernet-over-coax converter (must be used with compatible Rx equipment)                                   | <b>Ingress Protection Rating</b> IP66/67                                                                |

### Camera options

| 32x XNZ-6320 HP IP camera                                                                                                                                                                                        |                                                                                                                                                                  | 22x zoom 3MP HD IP camera                                                                                                            |                                                                                                                |
|------------------------------------------------------------------------------------------------------------------------------------------------------------------------------------------------------------------|------------------------------------------------------------------------------------------------------------------------------------------------------------------|--------------------------------------------------------------------------------------------------------------------------------------|----------------------------------------------------------------------------------------------------------------|
| <b>Image sensor</b> Progressive scan CMOS 1/2.8"                                                                                                                                                                 | <b>Resolution</b> Resolution: 1920x1080 @60fps to 320x240                                                                                                        | <b>Image sensor</b> Progressive scan CMOS 1/2.8"                                                                                     | <b>Resolution</b> 2304 x 1296 @ 30fps                                                                          |
| <b>Lens</b> 32x optical 32x digital zoom 4.44-142.6 mm F1.6 to F4.4, horizontal angle of view 61.8° - 2.19°                                                                                                      | <b>Min. illumination</b> Colour : 0.05Lux (1/30sec, F1.6, 50IRE), B/W : 0.005Lux (1/30sec, F1.6, 50IRE)                                                          | <b>Lens</b> 22x optical zoom 5.2~114.4mm F1.5~F3.8, horizontal angle of view 53.74° - 2.96°                                          | <b>Min. illumination</b> Colour : 0.002Lux (F1.5, AGC ON), B/W 0.001Lux (F1.5, AGC ON)                         |
| <b>Streaming</b> H.264, H.265 MJPEG dual codec, multiple streaming, VBR/CBR                                                                                                                                      | <b>Features</b> Intelligent video analytics, motion detection, day & night (ICR), WDR (150dB), auto focus, auto Iris, AGC, SSSDR, ATW, SSNR III, BLC, DIS, Defog | <b>Streaming</b> Triple streams in H.264, H.265                                                                                      | <b>Features</b> AGC, AE,AWB,TDN,DNR,BLC,EIS,WDR,Defog,OSD,Day & Night Auto Colour/BW (IR-cut with auto switch) |
| <b>Standards protocols</b> ONVIF Profile S, TCP/IP, UDP/IP, RTP(UDP), RTP(TCP), RTCP, RTSP, NTP, HTTP, HTTPS, SSL, DHCP, FTP, SMTP, ICMP, IGMP, SNMPv1/v2c/v3(MIB-2), ARP, DNS, DDNS, QoS, PIM-SM, UPnP, Bonjour |                                                                                                                                                                  | <b>Standards protocols</b> L2TP, IPv4, IGMP, ICMP, ARP, TCP, UDP, DHCP, PPPoE, RTP, RTSP, DNS, DDNS, NTP, FTP, UPnP, HTTP, SNMP, SIP |                                                                                                                |
| 33x zoom 3MP HD IP camera                                                                                                                                                                                        |                                                                                                                                                                  | 22x zoom 5MP HD IP camera                                                                                                            |                                                                                                                |
| <b>Image Sensor</b> Progressive scan CMOS 1/2.8"                                                                                                                                                                 | <b>Resolution</b> 2304 x 1296 @ 60fps                                                                                                                            | <b>Image Sensor</b> Progressive scan CMOS 1/2.7"                                                                                     | <b>Resolution</b> 2880 x 1620 @ 30fps                                                                          |
| <b>Lens</b> 33x optical zoom 4.5~148.5mm F1.5~F4.0, horizontal angle of view 62.93° - 3.67°                                                                                                                      | <b>Min. Illumination</b> Colour : 0.001Lux (F1.5, AGC ON), B/W 0.0005Lux (F1.5, AGC ON)                                                                          | <b>Lens</b> 22x optical zoom 5.2~114.4mm F1.5~F3.8, horizontal angle of view 55.46° - 3.09°                                          | <b>Min. Illumination</b> Colour : 0.003Lux (F1.5, AGC ON), B/W 0.001Lux (F1.5, AGC ON)                         |
| <b>Streaming</b> Five streams in H.264, H.265                                                                                                                                                                    | <b>Features</b> AGC, AE,AWB,TDN,DNR,BLC,EIS,WDR,Defog,OSD,Day & Night Auto Colour/BW (IR-cut with auto switch)                                                   | <b>Streaming</b> Triple streams in H.264, H.265                                                                                      | <b>Features</b> AGC, AE,AWB,TDN,DNR,BLC,EIS,WDR,Defog,OSD,Day & Night Auto Colour/BW (IR-cut with auto switch) |
| <b>Standards Protocols</b> L2TP, IPv4, IGMP, ICMP, ARP, TCP, UDP, DHCP, PPPoE, RTP, RTSP, DNS, DDNS, NTP, FTP, UPnP, HTTP, SNMP, SIP                                                                             |                                                                                                                                                                  | <b>Standards Protocols</b> L2TP, IPv4, IGMP, ICMP, ARP, TCP, UDP, DHCP, PPPoE, RTP, RTSP, DNS, DDNS, NTP, FTP, UPnP, HTTP, SNMP, SIP |                                                                                                                |

# Ordering requirements

The following code is designed to help in selection of the correct unit. Build up the reference number by inserting the code for each component into the appropriate box

|                                                                                                                                                  |  |                                      |  |  |  |  |  |  |  |                                                                                                                                                                                                                                      |  |                                                          |  |                                        |  |
|--------------------------------------------------------------------------------------------------------------------------------------------------|--|--------------------------------------|--|--|--|--|--|--|--|--------------------------------------------------------------------------------------------------------------------------------------------------------------------------------------------------------------------------------------|--|----------------------------------------------------------|--|----------------------------------------|--|
| XP40                                                                                                                                             |  |                                      |  |  |  |  |  |  |  |                                                                                                                                                                                                                                      |  |                                                          |  |                                        |  |
| <b>Housing type</b><br>Visual camera housing                                                                                                     |  | <b>Code</b><br>BV                    |  |  |  |  |  |  |  |                                                                                                                                                                                                                                      |  |                                                          |  |                                        |  |
| <b>Wiper options</b><br>Integral wiper with switched 24VAC for external washer pump<br>No wiper                                                  |  | <b>Code</b><br>E<br>N                |  |  |  |  |  |  |  |                                                                                                                                                                                                                                      |  |                                                          |  |                                        |  |
| <b>Video type</b><br>HD IP system                                                                                                                |  | <b>Code</b><br>I                     |  |  |  |  |  |  |  |                                                                                                                                                                                                                                      |  |                                                          |  |                                        |  |
| <b>Day/night module</b><br>32x zoom 2MP HD IP camera<br>22x zoom 3MP HD IP camera<br>33x zoom 3MP HD IP camera<br>22x zoom 5MP HD IP camera      |  | <b>Code</b><br>P<br>U<br>V<br>W      |  |  |  |  |  |  |  |                                                                                                                                                                                                                                      |  |                                                          |  |                                        |  |
| <b>Thermal core module</b><br>No thermal core                                                                                                    |  | <b>Code</b><br>N                     |  |  |  |  |  |  |  |                                                                                                                                                                                                                                      |  |                                                          |  |                                        |  |
| <b>Thermal core lens</b><br>No thermal imaging lens                                                                                              |  | <b>Code</b><br>N                     |  |  |  |  |  |  |  |                                                                                                                                                                                                                                      |  |                                                          |  |                                        |  |
| <b>Video system</b><br>IP                                                                                                                        |  | <b>Code</b><br>I                     |  |  |  |  |  |  |  |                                                                                                                                                                                                                                      |  |                                                          |  |                                        |  |
| <b>Supply voltage</b><br>24 VAC ±10% 50/60 Hz<br>110 VAC ±10% 50/60 Hz<br>230 VAC ±10% 50/60 Hz<br>24 VDC ±10%<br>Special - price on application |  | <b>Code</b><br>1<br>2<br>3<br>4<br>S |  |  |  |  |  |  |  |                                                                                                                                                                                                                                      |  |                                                          |  |                                        |  |
| <b>Camera rotation</b><br>Continuous rotation<br>Pan rotation restricted to +/- 175°                                                             |  | <b>Code</b><br>1<br>2                |  |  |  |  |  |  |  |                                                                                                                                                                                                                                      |  |                                                          |  |                                        |  |
| <b>Protocol requirements</b><br>Pelco D protocol, baud rate 2400bps<br>Special - price on application                                            |  | <b>Code</b><br>D<br>S                |  |  |  |  |  |  |  |                                                                                                                                                                                                                                      |  |                                                          |  |                                        |  |
|                                                                                                                                                  |  |                                      |  |  |  |  |  |  |  | <b>Cable Tail Length</b><br>No cable tail<br>3 metre<br>5 metre<br>7 metre<br>10 metre<br>15 metre<br>Specify length                                                                                                                 |  | <b>Code</b><br>00<br>03<br>05<br>07<br>10<br>15<br>*S    |  |                                        |  |
|                                                                                                                                                  |  |                                      |  |  |  |  |  |  |  | <b>Transmission type</b><br>Standard electrical<br>Simplex singlemode<br>9/125µm ethernet<br>Simplex multimode<br>50/125µm ethernet<br>IP over coax<br>Duplex singlemode<br>9/125µm<br>Duplex multimode<br>50/125µm                  |  | <b>Code</b><br>0<br>3<br>4<br>5<br>6<br>7                |  |                                        |  |
|                                                                                                                                                  |  |                                      |  |  |  |  |  |  |  | <b>Temperature type</b><br>T4, -20°C to +70°C*<br>T4, -40°C to +70°C*<br>T4, -60°C to +40°C<br>T5, -20°C to +65°C*<br>T5, -40°C to +65°C*<br>T5, -60°C to +40°C<br>T6, -20°C to +40°C*<br>T6, -40°C to +40°C*<br>T6, -60°C to +40°C* |  | <b>Code</b><br>A<br>B<br>3<br>C<br>D<br>6<br>7<br>8<br>9 |  | *Subject to configuration restrictions |  |
|                                                                                                                                                  |  |                                      |  |  |  |  |  |  |  | <b>Certification</b><br>ATEX<br>IECEx<br>INMETRO                                                                                                                                                                                     |  | <b>Code</b><br>A<br>I<br>M                               |  |                                        |  |