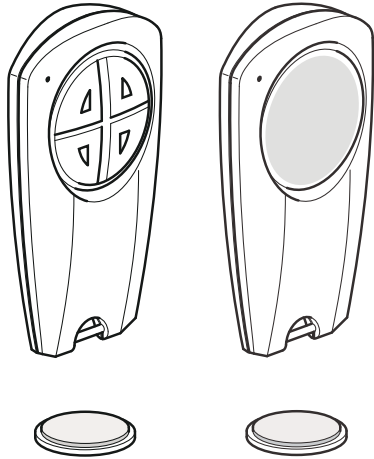


EU
xComfort CHSZ-02/02, CHSZ-01/05

CHSZ-02/02 CHSZ-01/05



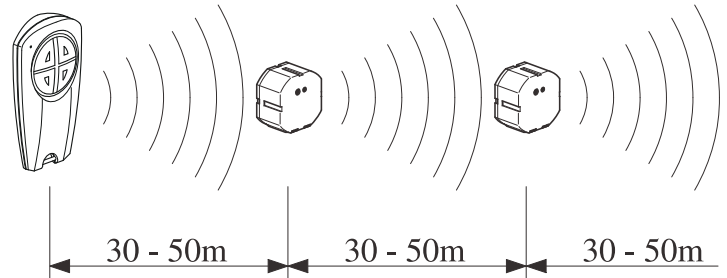
MRF EATON	Min. Version 1.55
RF	Min. Version 3.5

	T=-25°C - +70°C
	T=+5°C - +40°C

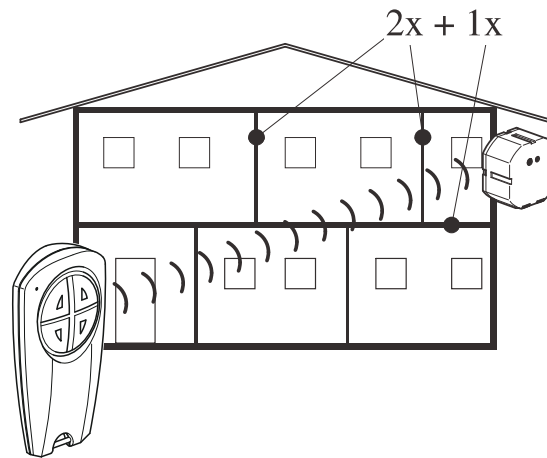
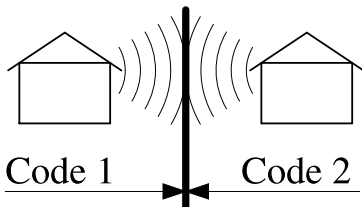
CMMZ-00/11



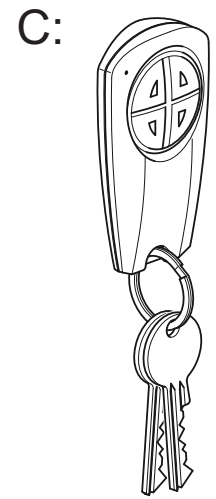
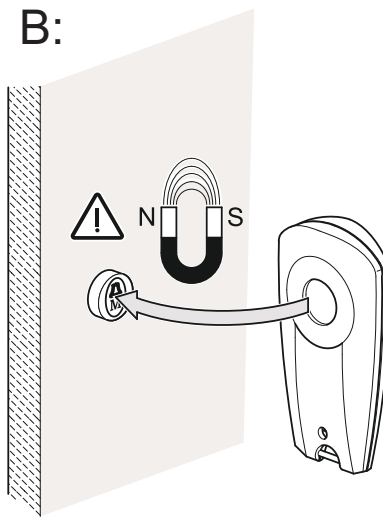
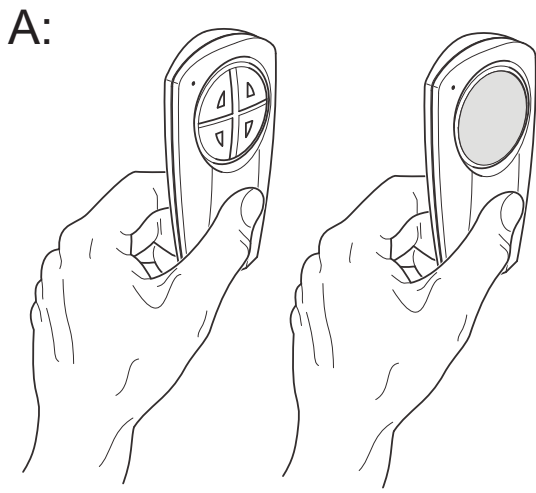
868,3 MHz



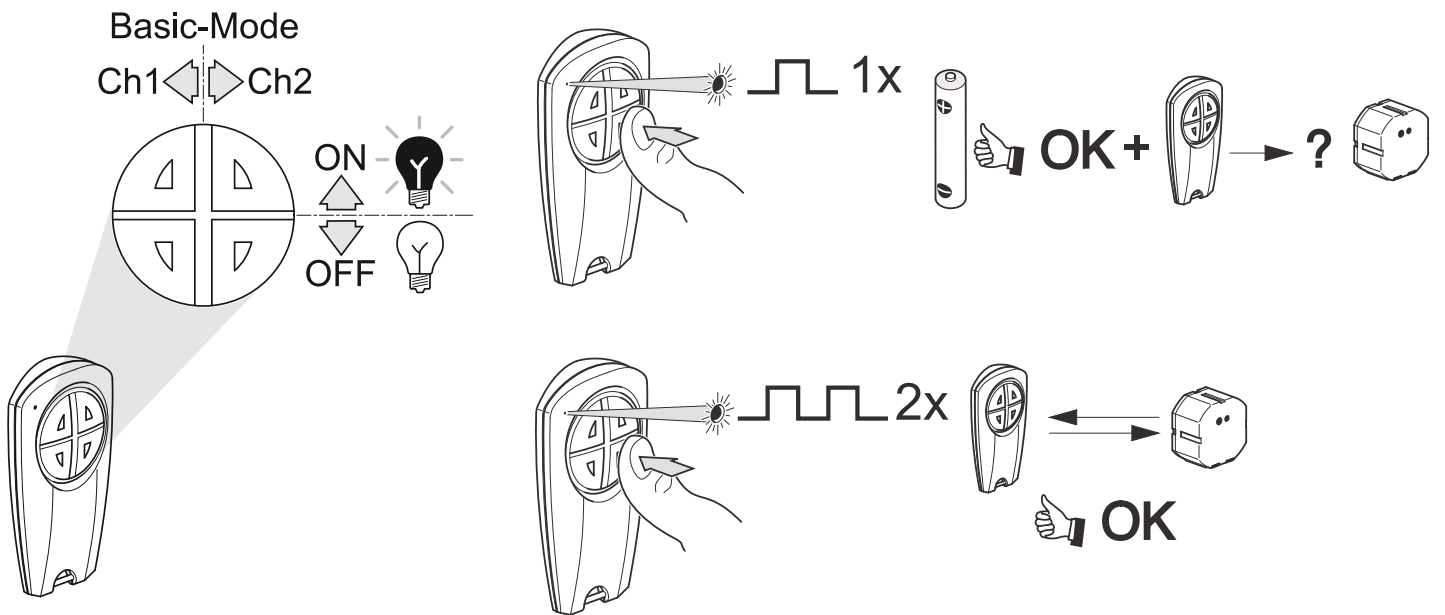
IP20



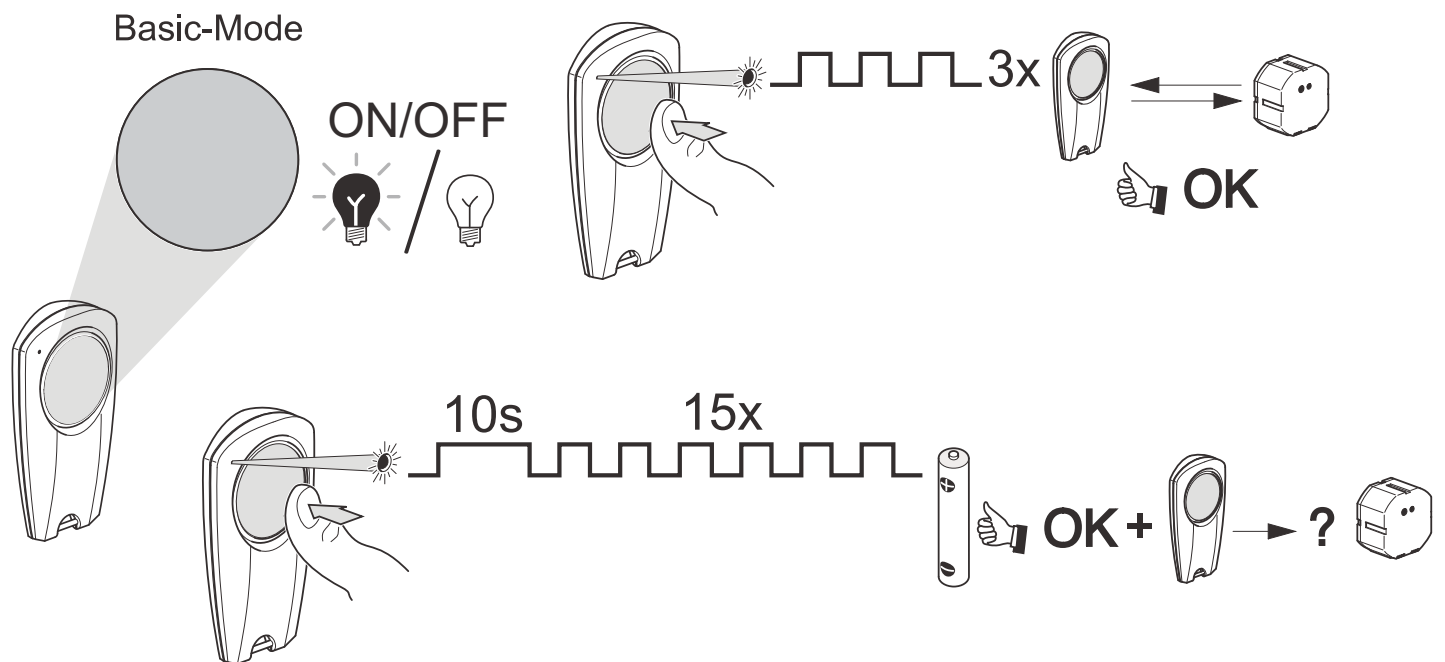
	ca. 60-90%	ca. 80-95%	ca. 20-60%	ca. 0-10%	ca. 70-90%

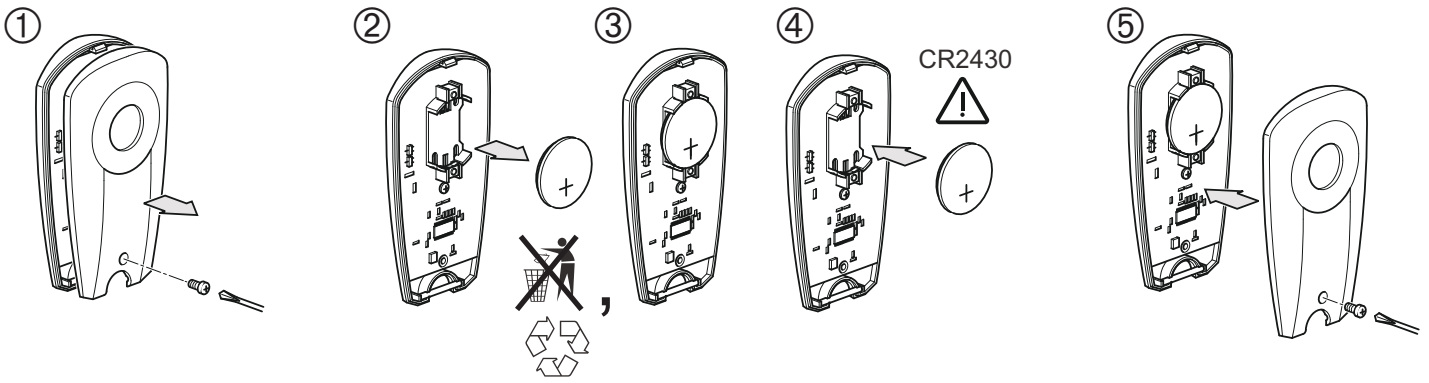


CHSZ-02/02



CHSZ-01/05





CMMZ-00/11

