

EU
xComfort CBMA-02/01, CMMZ-00/08

Assembly instructions
 Montageanweisung
 Instructions de montage
 Montážní návod
 Montážní návod
 Montagevejledning
 Instrucciones de montaje
 Szerelési utasítás
 Istruzioni di montaggio
 Montasje anvisning
 Montage instructie
 Instruções de montagem
 Instrukcja montażu
 Montageanvisning
 Asennusohjeet
 Montaj talimatı
 Instrucțiuni de montaj
 Инструкция по монтажу
 οδηγία συναρμολόγησης
 安装说明书
 تعليمات التركيب



Danger
 Lebensgefahr
 Danger de mort
 Nebezpečí
 Nebezpečnostvo
 Fare
 Peligro
 Életveszély
 Pericolo di morte
 Fare
 Levensgevaar
 Perigo
 Niebezpieczeństwo
 Varning
 Vaara
 Hayati Tehlike
 Pericol
 Опасность
 κίνδυνος θανάτου
 危險
 خطر على الحياة



Installation by electricians only
 Montage nur durch Elektrofachkräfte
 Montage uniquement par un électricien
 Montáž pouze osobami s elektrotechnickou kvalifikací
 Montáž iba osobami s elektrotechnickou kvalifikáciou
 Må kun installeres af en aut. el-installatør
 Debe ser instalado por un profesional eléctrico
 Csak szakképzett személy szerelheti
 Montaggio esclusivamente ad opera di personale specializzato
 Må monteres av autorisert installatør Gr.L
 Montage alleen door elektromonteurs
 Deve ser instalado por um profissional
 Montaz tylko przez uprawnionych instalatorów
 Får endast utföras av behörig elektriker
 Asennus vain sähköasentajan toimesta
 Sadece uzman kisiler monte edebilir
 Instalare numai de catre electricieni
 Монтаж может производить только электрик
 Εγκατάσταση μόνο από ηλεκτρολόγους
 仅允许合格电气技师进行安装
 التركيب فقط من قبل عمال كهرباء الاختصاصيين



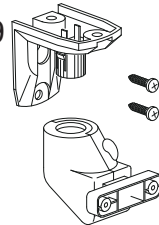
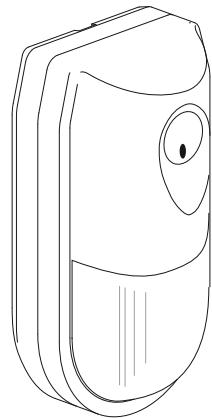
	Min. Version 1.30
	Min. Version 3.6

CBMA-02/01

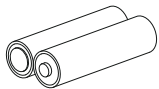
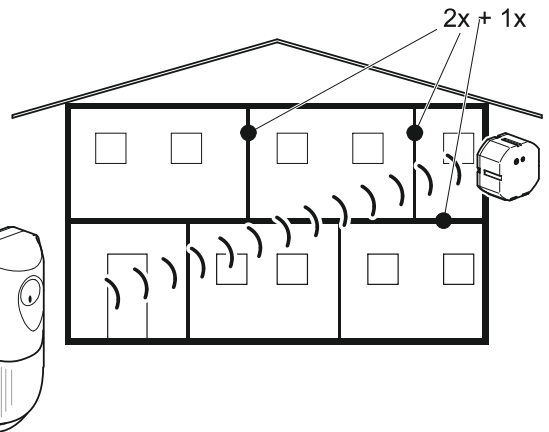
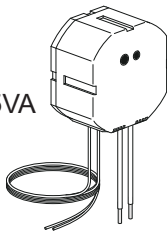
CMMZ-00/09



	T=-25°C - +75°C
	T=+5°C - +40°C

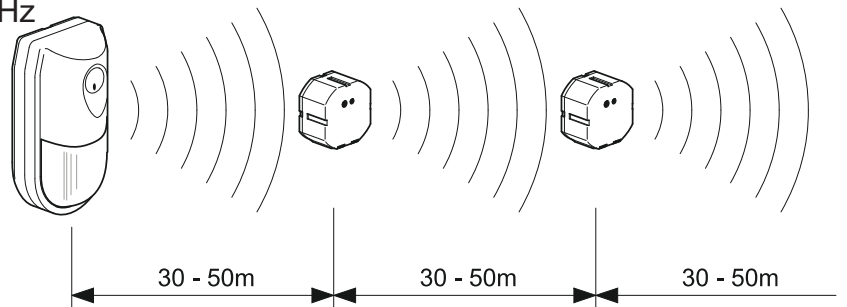
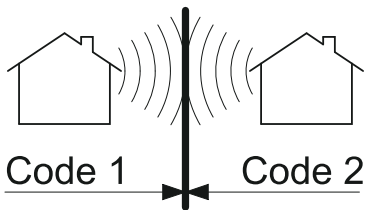


CMMZ-00/08
 230VAC 50Hz
 max. 14,5VAC/0,25VA

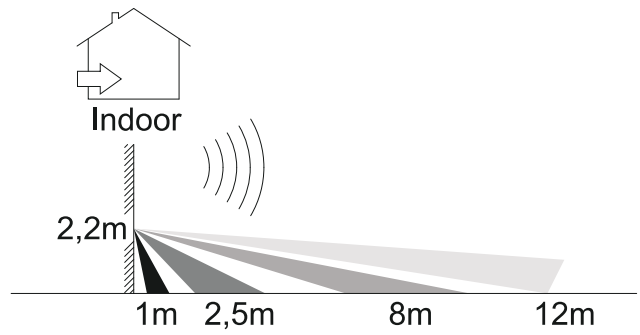
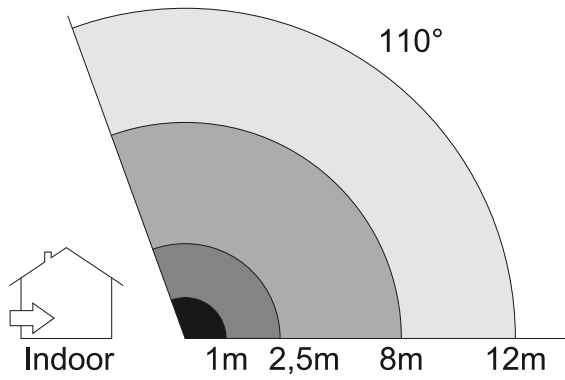


2x LR03
 AAA-Micro-1,5V

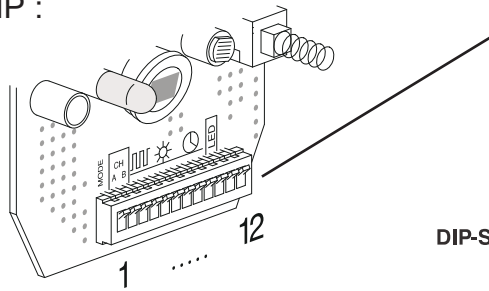
868,3 MHz



	ca. 60-90%	ca. 80-95%	ca. 20-60%	ca. 0-10%	ca. 70-90%



DIP :



CMMZ-00/08

10-14,5 VAC
ext.

PROG

LED

DIP

Tamper
Switch

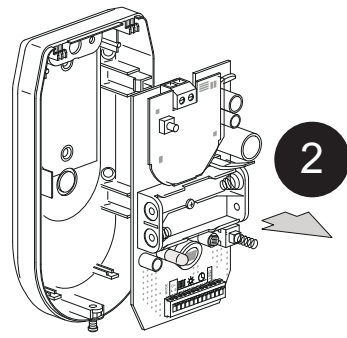
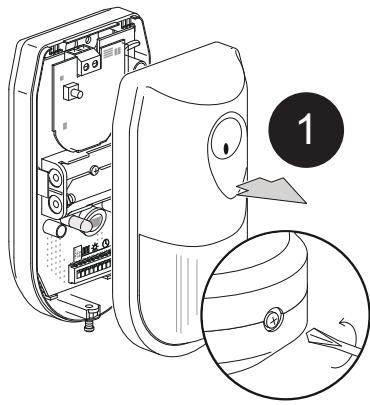
PIR-Sensor

SUPPLY

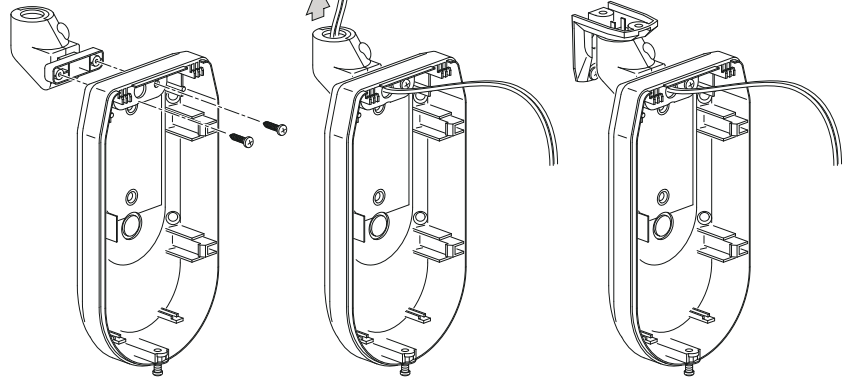
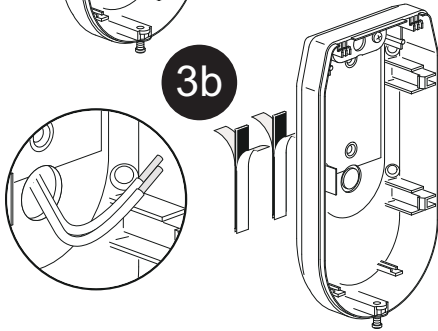
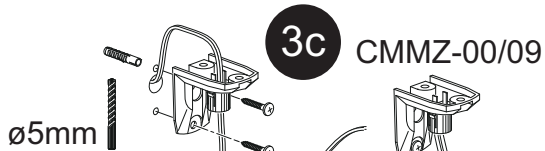
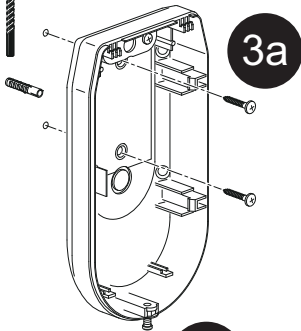
DIP-Switch	Assignment/Operation	Channel A	Channel B	Impulses	Brightness	Turn-off delay	Test-LED	Select Turn-off delay				
	1	2	3	4	5	6	7	8	9	10	11	12
1...ON	<input type="checkbox"/>	<input type="checkbox"/>	<input type="checkbox"/>	<input type="checkbox"/>	<input type="checkbox"/>	<input type="checkbox"/>	<input type="checkbox"/>	<input type="checkbox"/>	<input type="checkbox"/>	<input type="checkbox"/>	<input type="checkbox"/>	<input type="checkbox"/>
0...OFF	<input type="checkbox"/>	<input type="checkbox"/>	<input type="checkbox"/>	<input type="checkbox"/>	<input type="checkbox"/>	<input type="checkbox"/>	<input type="checkbox"/>	<input type="checkbox"/>	<input type="checkbox"/>	<input type="checkbox"/>	<input type="checkbox"/>	<input type="checkbox"/>
Mode		Assignment		Operation		Select Turn-off delay						
	0	1		1		0		See Turn-off delay 8-10				
	1	0		0		1		3 s				
Function		NO channel selected		Only channel A		Only channel B		Test-LED				
	0	0		1		0		0 LED Off				
	1	0		1		1		1 LED On				
Impulses		1		3		5		Turn-off delay				
	0	0		1		0		0 0 0 30 s				
	1	1		0		1		0 0 1 1 min.				
	0	0		1		0		0 1 0 2 min.				
	1	1		0		1		0 1 1 3 min.				
	0	0		1		0		0 1 1 5 min.				
	1	1		0		1		0 1 1 10 min.				
	0	0		1		0		1 0 1 20 min.				
	1	1		0		1		1 1 1 30 min.				



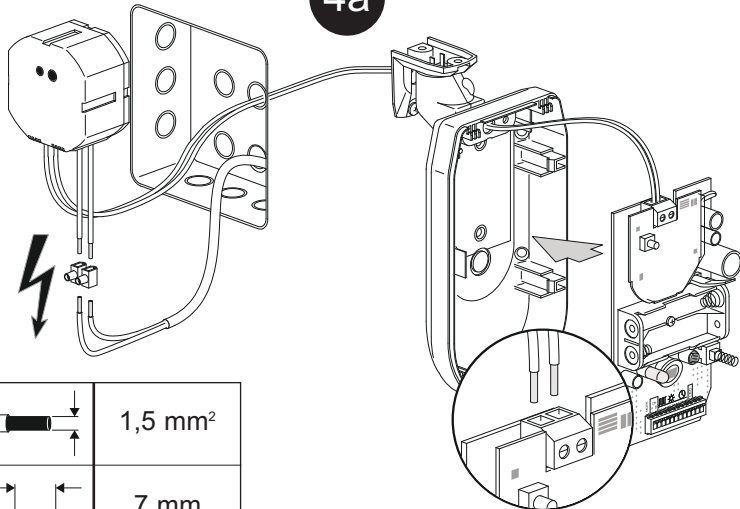
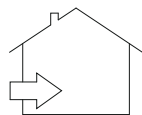
10-14,5 VAC
ext.
3 VDC



ø5mm

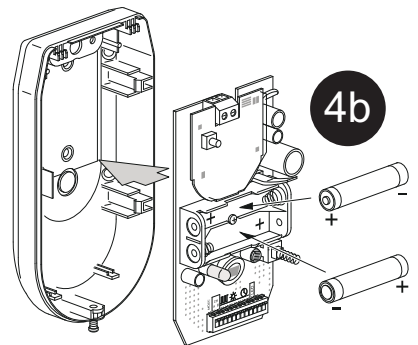


CMMZ-00/08

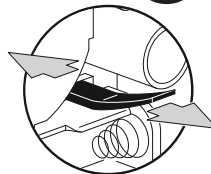


	1,5 mm ²
	7 mm

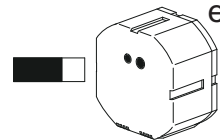
	5 mm
--	------



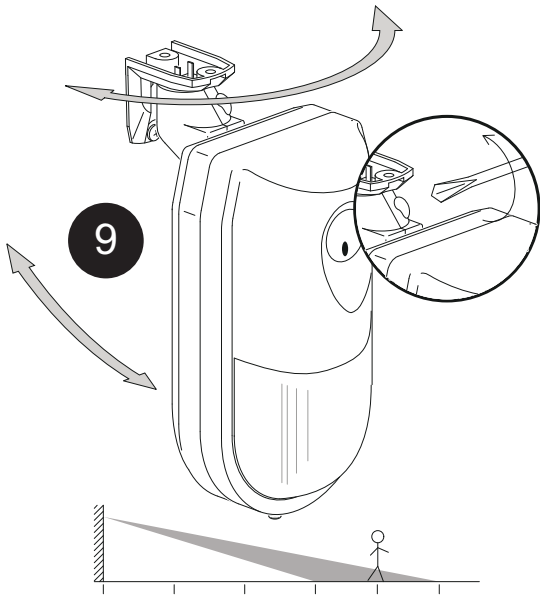
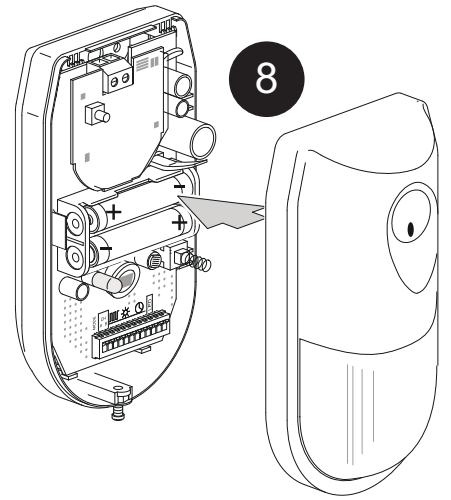
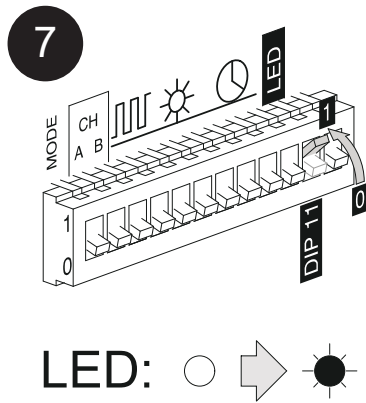
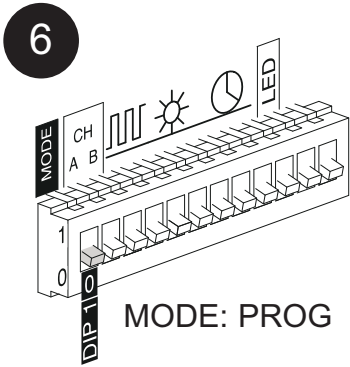
5



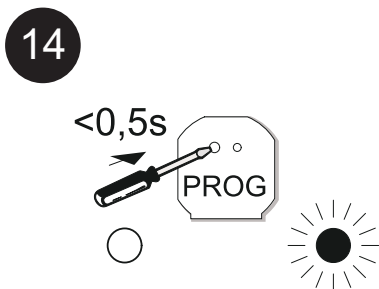
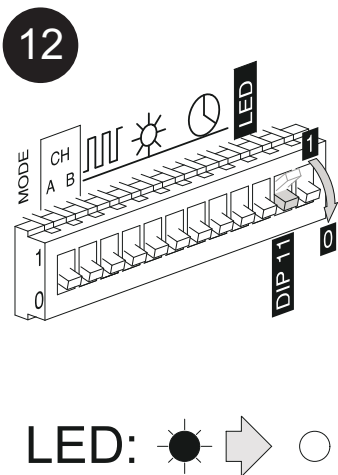
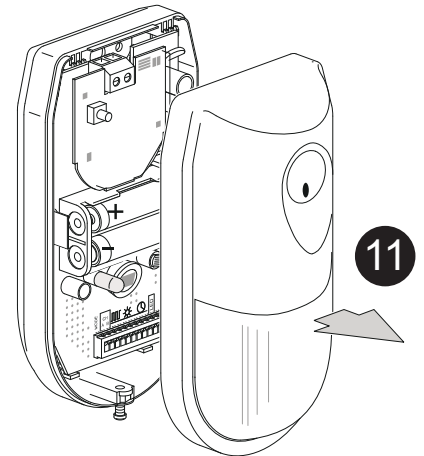
10-14,5 VAC ext.



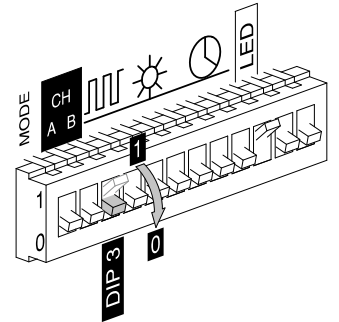
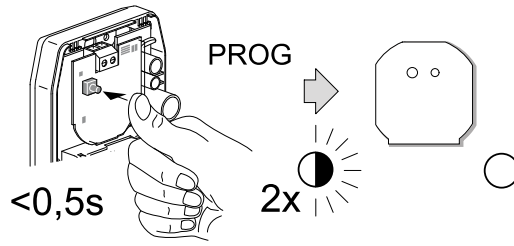
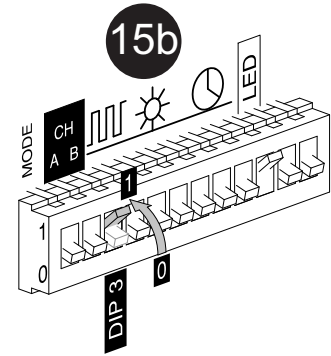
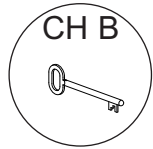
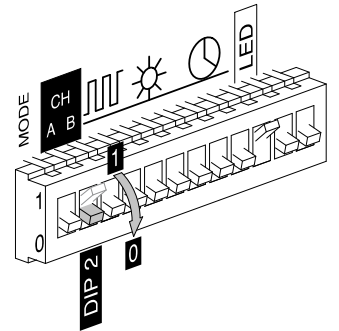
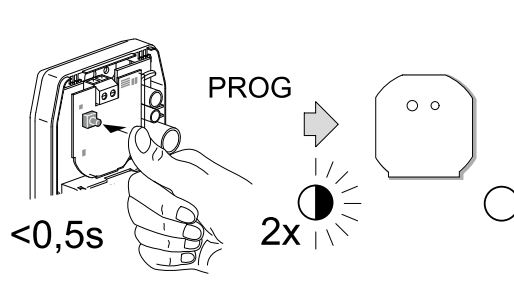
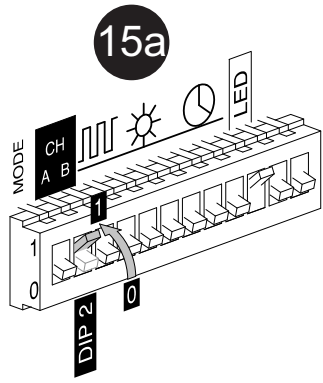
3 VDC



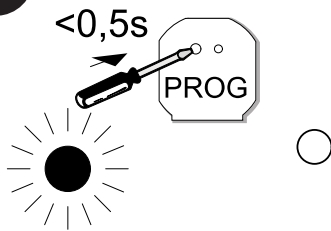
10 **Test**



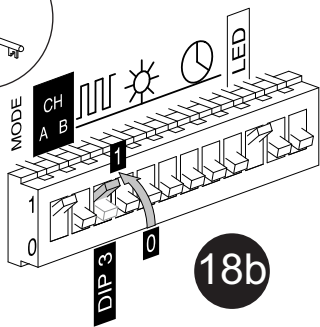
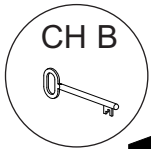
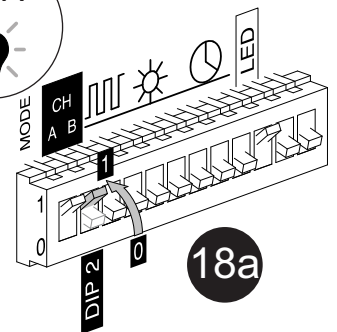
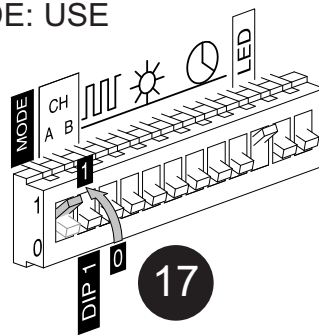
<p>13</p>	<p>1 3 5 7</p>	
	<p>2-4 Lux 10-20 Lux + </p>	
	<p>30sec 1min 2min</p>	



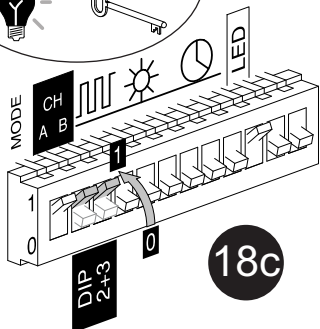
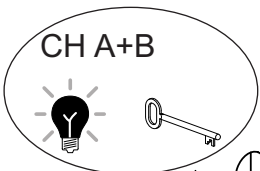
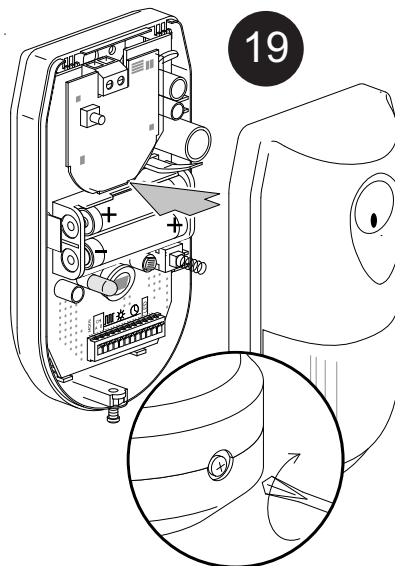
16



MODE: USE



19



20 **Test**



Declaration of Conformity

We, EATON Industries (Austria) GmbH
3943 Schrems, Eugenia 1
Austria

declare that product (family)

**Eaton - PIR-Motion-Detector,
CBMA-...**

(the declaration of conformity applies to all listed types within our actual product catalog)

provided that it is installed, maintained and used in the application intended for, with respect to the relevant manufacturers instructions, installation standards and "good engineering practices"

complies with the provisions of Council directive(s):

- EMC Directive 2004/108/EC
- Radio and Telecommunications Terminal Equipment 99/05/EC
- RoHS Directive 2011/65/EU

based on compliance with European standard(s):

EN301489-3 V1.6.1, EN300220-2 V2.4.1, EN50491-5-1/10, EN50491-5-2/10, EN60950-1/06 + A11/09 + A1/10 + A12/11 + A2/13, EN62479/10



01.12.2014

tested by:
TÜV Austria Services GmbH, Notified Body **CE0408**
1230 Vienna, Deutschstrasse 10, Austria

Heinz Ursprunger

Heinz Ursprunger
Director Product Line
& Marketing Management

Friedrich Schröder

Friedrich Schröder
Director Quality
& EHS

Affixing date of CE mark: 2006
Doc.Id.: CBMA-...

RF- SYSTEM

BASIC - MODE - CARD

CTAA-01/01
CTAA-02/01

CBEU-02/01
CBEU-02/02

CRCA-00/01

CHSZ-00/01

CSAU-01/01

CJAU-01/01

CDAU-01/01