

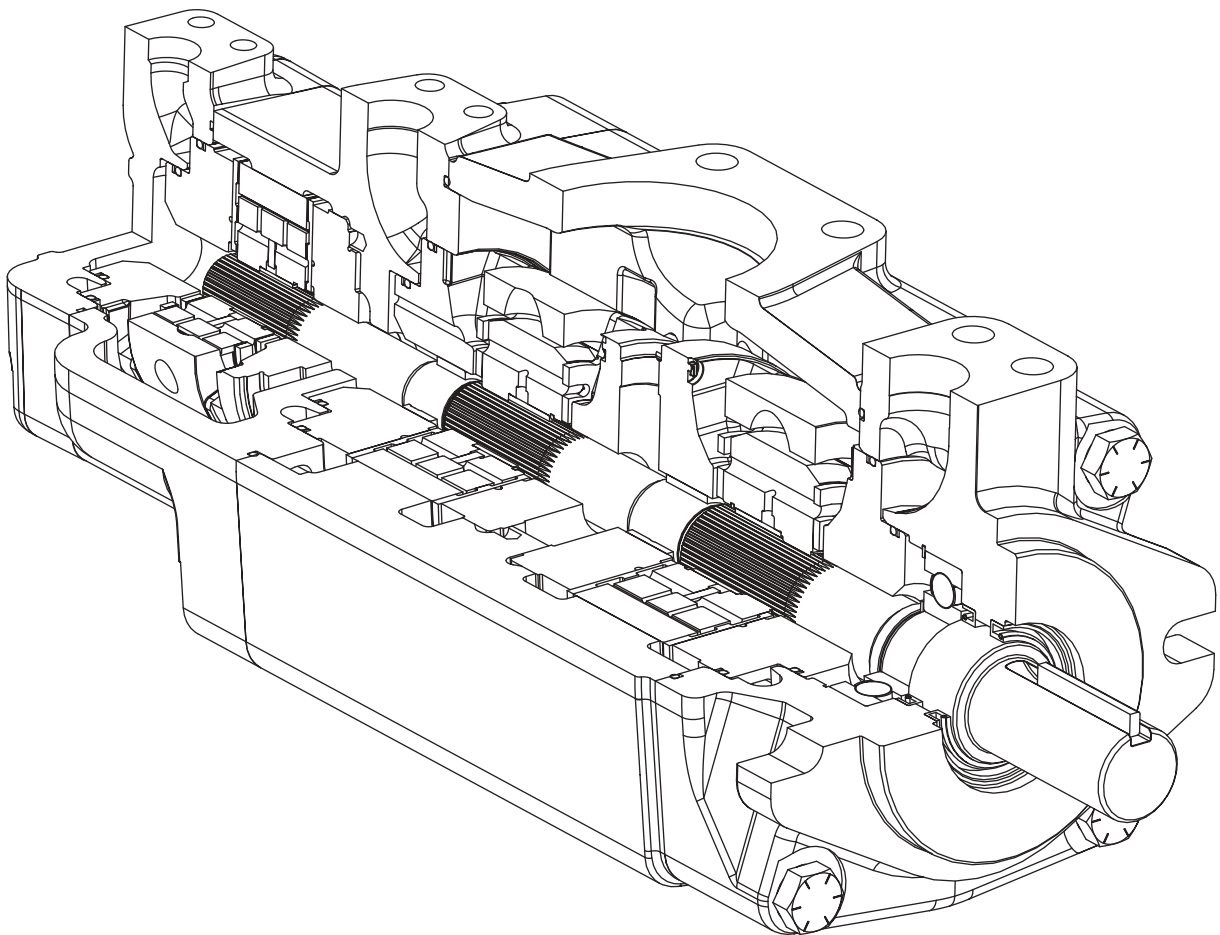
EATON

Vickers

**High Pressure, High Performance
Triple Vane Pumps**

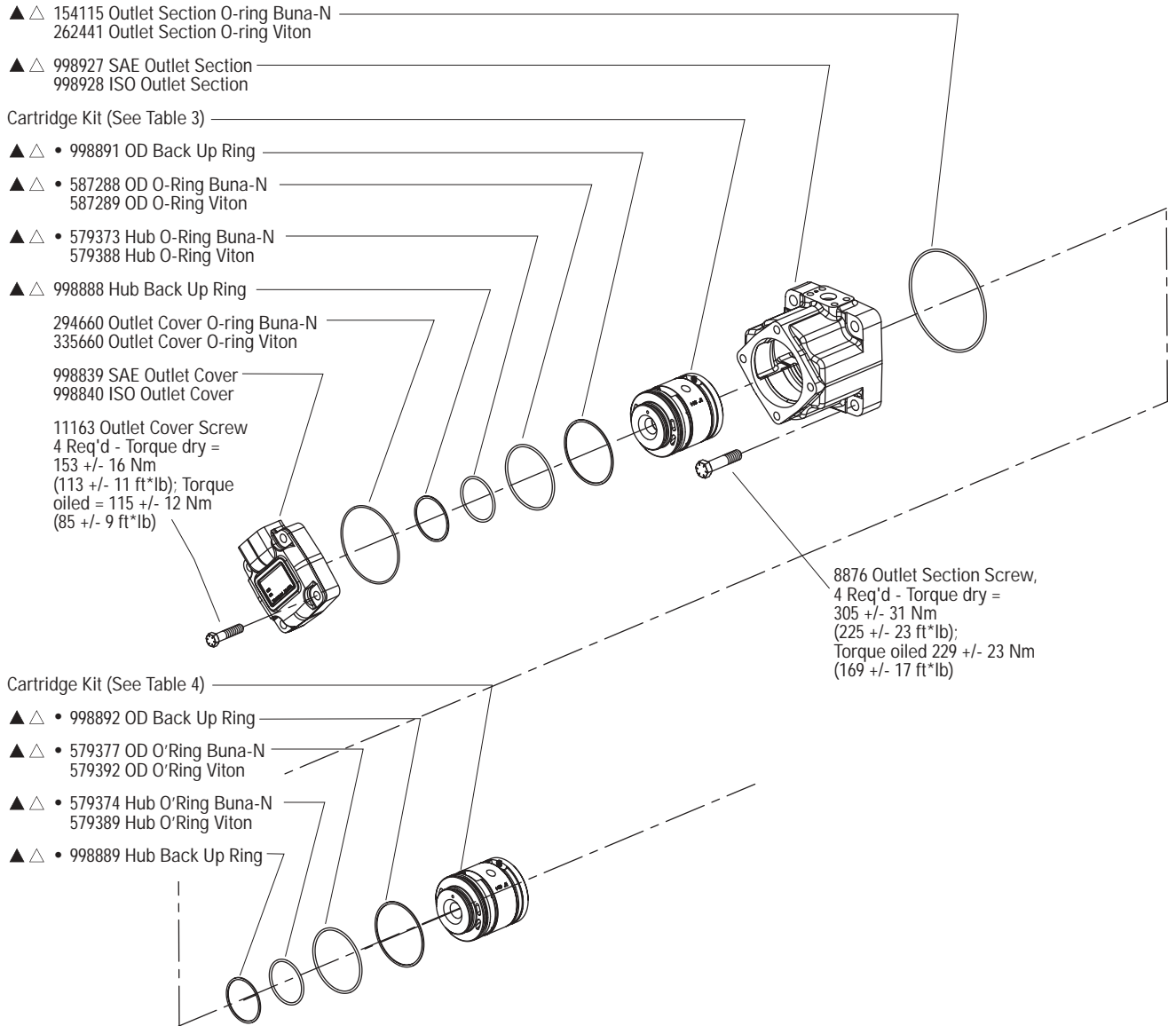
Parts Data

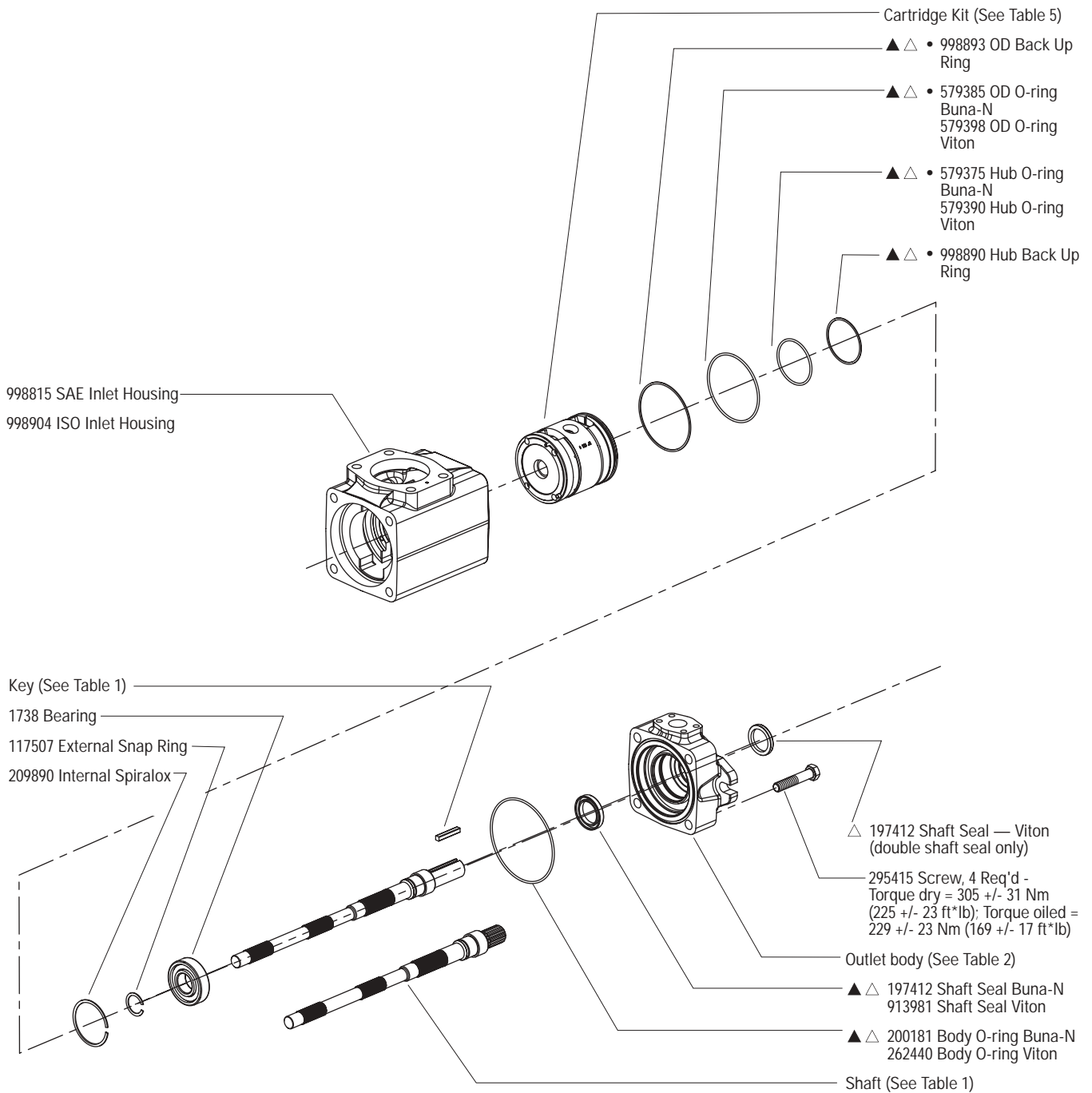
VMQ3453525S Series
- 32 Design



VICKERS[®]

High Pressure, High Performance Triple Vane Pump VMQ3453525S Series — 32 Design





Note: Lubricate all parts and seals with a thin coat of oil at assembly.

- Included in Cartridge Kit (see table 3-5)
- ▲ Included in Single STD Seal Kit 02-346523 or Viton Seal Kit 02-346532.
- △ Included in Double STD Seal Kit 02-346531 or Viton Seal Kit 02-346533.
- * With double and triple pumps, the orientation of the kits is such that the kit rotation is a reverse of the pump rotation. See tables X1 and X2 for the correct kit rotation relative to the pump rotation.

TABLE X1

Cartridge Kit Rotation for Right Hand Rotation Pump

| R= Right Hand Rotation | | L=Left Hand Rotation | |
|------------------------|------------------------|----------------------|------------------------|
| PUMP ROTATION | SHAFT END KIT ROTATION | CENTER KIT ROTATION | COVER END KIT ROTATION |
| Triple (R) | (R) | (L) | (L) |

*Notes: - A right hand rotation pump has the shaft turning clockwise when viewed from the input shaft end
 - When ordering a right hand rotation kit, the part number will not have a suffix.

TABLE X2

Cartridge Kit Rotation for Left Hand Rotation Pump

| R= Right Hand Rotation | | L=Left Hand Rotation | |
|------------------------|------------------------|----------------------|------------------------|
| PUMP ROTATION | SHAFT END KIT ROTATION | CENTER KIT ROTATION | COVER END KIT ROTATION |
| Triple (L) | (L) | (R) | (R) |

*Notes: - A left hand rotation pump has the shaft turning counterclockwise when viewed from the input shaft end
 - When ordering a left hand rotation kit, the part number will have a suffix of '-L'

TABLE 1

| MODEL CODE | 30TH DESIGN SHAFT | 31ST & 32ND DESIGN SHAFT | KEY |
|---------------------------|-------------------|--------------------------|--------|
| 3453525VMQ-***-***-*_*-01 | 997092 | 4993377-001 | 928542 |
| 3453525VMQ-***-***-*_*-02 | 997080 | 4993376-001 | — |
| 3453525VMQ-***-***-*_*-03 | 997093 | 4993378-001 | 928547 |
| 3453525VMQ-***-***-*_*-05 | 997094 | 4993379-001 | 928543 |
| 3453525VMQ-***-***-*_*-06 | 997095 | 4993380-001 | — |
| 3453525VMQ-***-***-*_*-09 | 997096 | 4993381-001 | — |

TABLE 2

| OUTLET BODY | | | | |
|-----------------------|-------------------|---------------------|-------------------|---------------------|
| Flange Mounting Style | Single Shaft Seal | | Double Shaft Seal | |
| | Inch Port Threads | Metric Port Threads | Inch Port Threads | Metric Port Threads |
| SAE B | 998754 | 998748 | 998755 | 998749 |
| ISO 100 | — | 998756 | — | 998757 |

TABLE 3

| MODEL CODE COVER END | * ● CARTRIDGE KIT (BUNA-N) | * ● CARTRIDGE KIT (VITON [®]) |
|-------------------------|-------------------------------|--|
| VMQ3453525S***-***-010 | 02-465574 | 02-465569 |
| VMQ3453525S***-***-016 | 02-465575 | 02-465570 |
| VMQ3453525S***-***-020 | 02-465576 | 02-465571 |
| VMQ3453525S***-***-025 | 02-465578 | 02-465572 |
| VMQ3453525S***-***-032 | 02-465577 | 02-465573 |
| VMQ3453525S***-***-040 | 02-348974 | 02-348981 |
| VMQ3453525S***-***-045 | 02-348975 | 02-348982 |
| VMQ3453525S***-***-050 | 02-348976 | 02-348983 |
| VMQ3453525S***-***-063 | 02-348977 | 02-348984 |
| VMQ3453525S***-***-071 | 02-348978 | 02-348985 |
| VMQ3453525S***-***-080 | 02-348979 | 02-348986 |
| VMQ3453525S***-***-090 | 02-348980 | 02-348987 |

TABLE 4

| MODEL CODE CENTER SECTION | * ● CARTRIDGE KIT (BUNA-N) | * ● CARTRIDGE KIT (VITON [®]) |
|------------------------------|-------------------------------|--|
| VMQ3453525S***-090-*** | 02-465621 | 02-465622 |
| VMQ3453525S***-100-*** | 02-465623 | 02-465624 |
| VMQ3453525S***-112-*** | 02-465625 | 02-465626 |
| VMQ3453525S***-125-*** | 02-465627 | 02-465628 |
| VMQ3453525S***-135-*** | 02-465629 | 02-465630 |
| VMQ3453525S***-140-*** | 02-465631 | 02-465632 |
| VMQ3453525S***-158-*** | 02-465633 | 02-465634 |

TABLE 5

| MODEL CODE SHAFT END | * ● CARTRIDGE KIT (BUNA-N) | * ● CARTRIDGE KIT (VITON [®]) |
|-------------------------|-------------------------------|--|
| VMQ3453525-140-***-*** | 02-346970 | 02-346971 |
| VMQ3453525-160-***-*** | 02-346968 | 02-346969 |
| VMQ3453525-180-***-*** | 02-346966 | 02-346967 |
| VMQ3453525-195-***-*** | 02-346964 | 02-346965 |
| VMQ3453525-215-***-*** | 02-346962 | 02-346963 |

Model Code

VMQ3 ** ** 25 *** *** *** * ** * * * * * * * * * * 00 * 0 32

1 2 3 4 5 6 7 8 9 10 11 12 13 14 15 16 17 18 19 20 21 22 23 24 25 26 27 28 29 30 31 32 33 34 35

1 2 3 4 Series designation
VMQ3 – Vane pump triple series

5 6 Frame size (front section)
45 – 140-215 cm ³/_r
(8.54-13.12 in ³/_r)

7 8 Frame size (middle section)
35 – 90-158 cm ³/_r
(5.49-9.64 in ³/_r)

9 10 Frame size (rear section)
25 – 10-90 cm ³/_r
(0.62-5.49 in ³/_r)

11 12 13 Displacement (front section)
Frame size 45
140 – 140 cm ³/_r (8.54 in ³/_r)
160 – 160 cm ³/_r (9.76 in ³/_r)
180 – 180 cm ³/_r (10.98 in ³/_r)
195 – 195 cm ³/_r (11.89 in ³/_r)
215 – 215 cm ³/_r (13.12 in ³/_r)

14 15 16 Displacement (middle section)
Frame size 35
090 – 90 cm ³/_r (5.49 in ³/_r)
100 – 100 cm ³/_r (6.10 in ³/_r)
112 – 112 cm ³/_r (6.83 in ³/_r)
125 – 125 cm ³/_r (7.63 in ³/_r)
135 – 135 cm ³/_r (8.24 in ³/_r)
140 – 140 cm ³/_r (8.54 in ³/_r)
158 – 158 cm ³/_r (9.64 in ³/_r)

17 18 19 Displacement (rear section)
Frame size 25
010 – 10 cm ³/_r (0.62 in ³/_r)
016 – 16 cm ³/_r (0.98 in ³/_r)
020 – 20 cm ³/_r (1.23 in ³/_r)
025 – 25 cm ³/_r (1.58 in ³/_r)
032 – 32 cm ³/_r (1.96 in ³/_r)
040 – 40 cm ³/_r (2.44 in ³/_r)
045 – 45 cm ³/_r (2.75 in ³/_r)
050 – 50 cm ³/_r (3.05 in ³/_r)
063 – 63 cm ³/_r (3.84 in ³/_r)
071 – 71 cm ³/_r (4.33 in ³/_r)
080 – 80 cm ³/_r (4.88 in ³/_r)
090 – 90 cm ³/_r (5.49 in ³/_r)

20 Front flange mounting style
A – SAE C 2-bolt
SAE J744 127-2
127,00 (5.000) x 12,4
(0.49) pilot
17,6 (0.69) slots on
181,0 (7.13) bolt circle
B – ISO 3019/2 125A2HW
2-bolt
125,00 (4.921) x 9,2
(0.36) pilot
18,1 (0.71) slots on
180,0 (7.09) bolt circle

21 22 Input shaft type*
01 – SAE J744 keyed
Frame size 45:
38,10 (1.500)
02 – SAE J744 splined
Frame size 45: C-C
03 – ISO 3019/2 keyed
Frame size 45:
40,00 (1.575)
05 – SAE J744 keyed
Frame size 45:
44,45 (1.750)
06 – SAE J744 splined
Frame size 45: D

23 Port type
A – Inlet: SAE J518 4-bolt
flange
Front outlet: SAE J518
4-bolt flange
Middle outlet: SAE J518
4-bolt flange
Rear outlet: SAE J518
4-bolt flange
B – Inlet: ISO 6162 4-bolt
flange
Front outlet: ISO 6162
4-bolt flange
Middle outlet: ISO 6162
4-bolt flange
Rear outlet: ISO 6162
4-bolt flange

24 Front outlet port position
Viewed from cover end
of pump
A – Opposite inlet port
B – 90° CCW to inlet port
C – In-line with inlet port
D – 90° CW to inlet port

25 Middle outlet port position
Viewed from cover end
of pump
A – Opposite inlet port
B – 90° CCW to inlet port
C – In-line with inlet port
D – 90° CW to inlet port

26 Rear outlet port position
Viewed from cover end
of pump
453525 units
E – Opposite inlet port
F – 90° CCW to inlet port
G – In-line with inlet port
H – 90° CW to inlet port

27 Shaft seal
A – Single, primary
B – Double, secondary
(spring side out)
Recommended for wet
mount applications

28 Seal type
N – Buna N
V – Viton
W – Buna N with Viton
shaft seal(s)

29 Shaft rotation
Viewed from shaft end
of pump
L – Left hand (CCW)
R – Right hand (CW)

30 31 Special features
00 – None

32 Paint
0 – None
A – Blue

33 Customer identification
0 – None

34 35 Design code
32 – 32 design
Installation dimensions
remain unchanged for
design numbers 31 to
39 inclusive.

* Verify shaft torque ratings meet or exceed input torque requirements

Eaton
14615 Lone Oak Road
Eden Prairie, MN 55344
USA
Tel: 952 937-9800
Fax: 952 974-7722
www.hydraulics.eaton.com

Eaton
20 Rosamond Road
Footscray
Victoria 3011
Australia
Tel: (61) 3 9319 8222
Fax: (61) 3 9318 5714

Eaton
Dr.-Reckeweg-Str. 1
D-76532 Baden-Baden
Germany
Tel: (49) 7221 682-0
Fax: (49) 7221 682-788

VICKERS[®]

EAT•N

Vickers

© 2003 Eaton Corporation
All rights reserved
Printed in USA
Document No. V-PUVN-TP013-E
June 2003 1M