

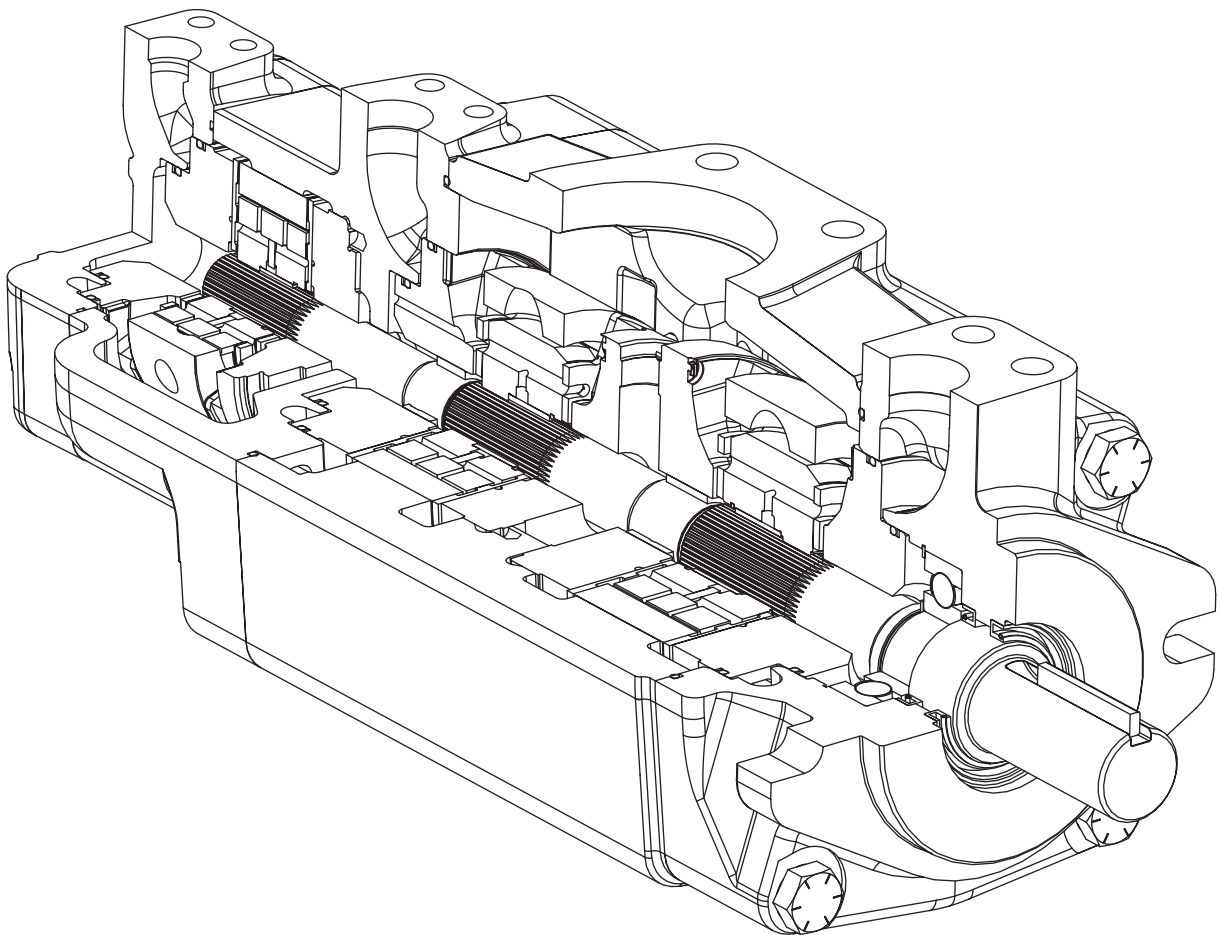
EATON

Vickers

**High Pressure, High Performance
Triple Vane Pumps**

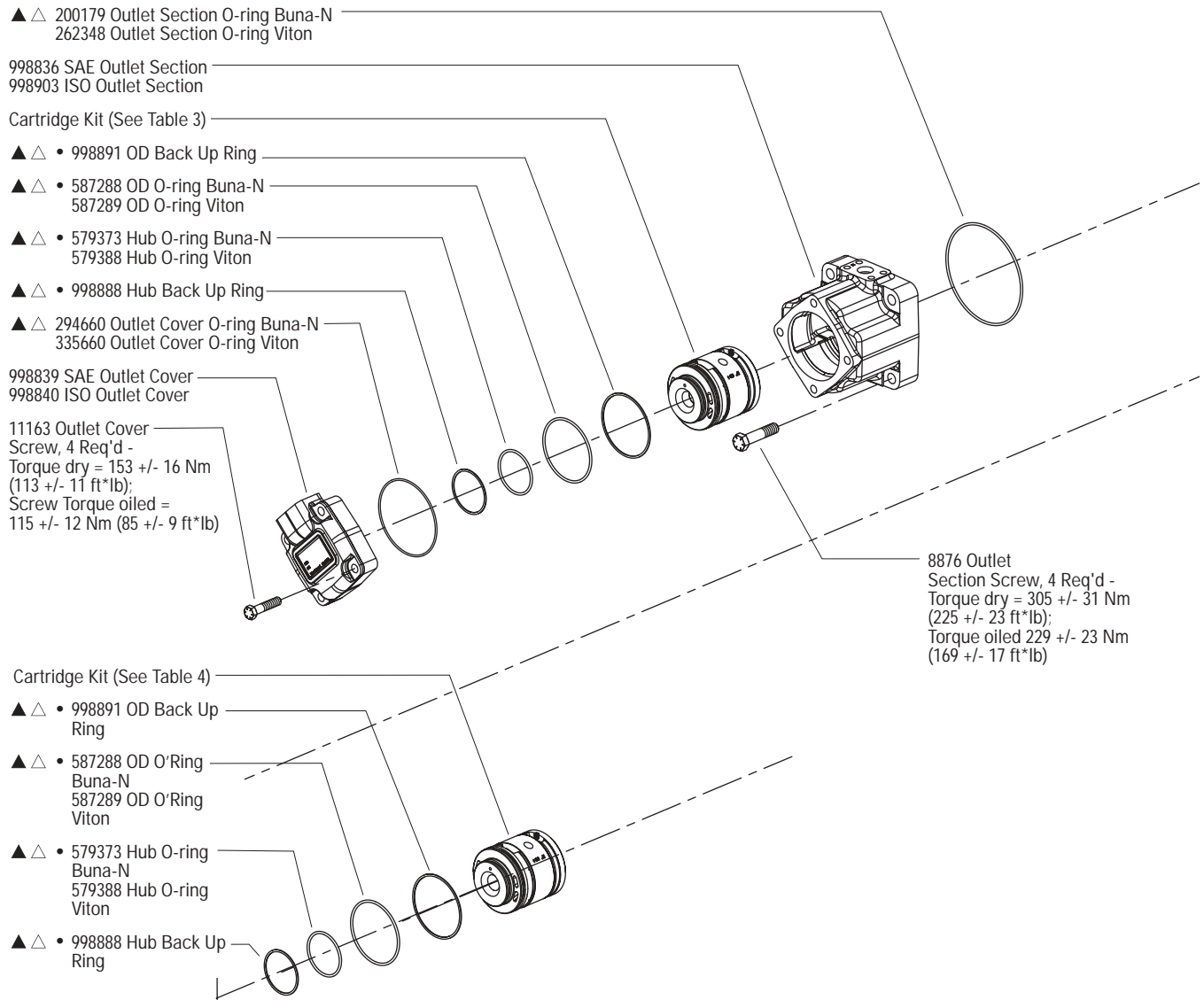
Parts Data

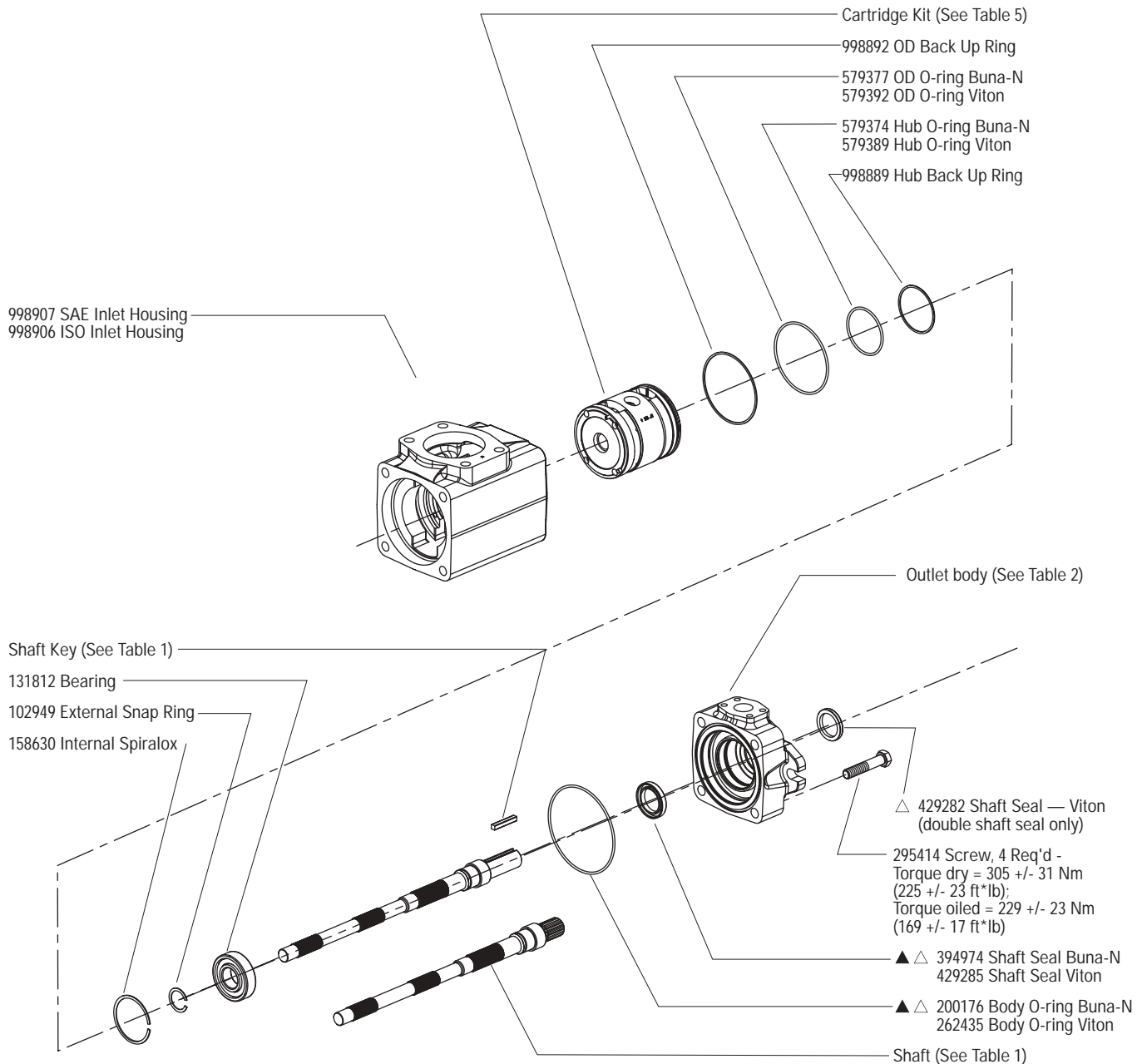
VMQ3352525S Series
- 32 Design



VICKERS[®]

High Pressure, High Performance Triple Vane Pump VMQ3352525S Series — 32 Design





Note: Lubricate all parts and seals with a thin coat of oil at assembly.

- Included in Cartridge Kit (see table 3-5)
- ▲ Included in 02-346534 Buna-N Single Seal Kit or 02-346536 Viton Single Seal Kit.
- △ Included in 02-346535 Buna-N Double Seal Kit or 02-346537 Viton Double Seal Kit.
- * With double and triple pumps, the orientation of the kits is such that the kit rotation is a reverse of the pump rotation. See tables X1 and X2 for the correct kit rotation relative to the pump rotation.

TABLE X1

Cartridge Kit Rotation for Right Hand Rotation Pump

R= Right Hand Rotation		L=Left Hand Rotation	
PUMP ROTATION	SHAFT END KIT ROTATION	CENTER KIT ROTATION	COVER END KIT ROTATION
Triple (R)	(R)	(L)	(L)

*Notes: - A right hand rotation pump has the shaft turning clockwise when viewed from the input shaft end
 - When ordering a right hand rotation kit, the part number will not have a suffix.

TABLE X2

Cartridge Kit Rotation for Left Hand Rotation Pump

R= Right Hand Rotation		L=Left Hand Rotation	
PUMP ROTATION	SHAFT END KIT ROTATION	CENTER KIT ROTATION	COVER END KIT ROTATION
Triple (L)	(L)	(R)	(R)

*Notes: - A left hand rotation pump has the shaft turning counterclockwise when viewed from the input shaft end
 - When ordering a left hand rotation kit, the part number will have a suffix of '-L'

TABLE 1

MODEL CODE	SHAFT	KEY
VMQ3352525S-***-***-***-**-01	998914	928541
VMQ3352525S-***-***-***-**-02	998915	—
VMQ3352525S-***-***-***-**-03	998916	928546
VMQ3352525S-***-***-***-**-05	998917	928542
VMQ3352525S-***-***-***-**-06	998918	—
VMQ3352525S-***-***-***-**-07	998919	928547

TABLE 2

OUTLET BODY				
Flange Mounting Style	Single Shaft Seal		Double Shaft Seal	
	Inch Port Threads	Metric Port Threads	Inch Port Threads	Metric Port Threads
SAE B	998929	998931	998930	998932
ISO 100	—	998933	—	998934

TABLE 3

MODEL CODE COVER END	* ● CARTRIDGE KIT (BUNA-N)	* ● CARTRIDGE KIT (VITON [®])
VMQ3352525S***-***-010	02-465564	02-465563
VMQ3352525S***-***-016	02-465565	02-465562
VMQ3352525S***-***-020	02-465566	02-465561
VMQ3352525S***-***-025	02-465567	02-465560
VMQ3352525S***-***-032	02-465568	02-465559
VMQ3352525S***-***-040	02-465551	02-465558
VMQ3352525S***-***-045	02-465550	02-465557
VMQ3352525S***-***-050	02-465549	02-465555
VMQ3352525S***-***-063	02-465548	02-465556
VMQ3352525S***-***-071	02-465547	02-465553
VMQ3352525S***-***-080	02-465546	02-465554
VMQ3352525S***-***-090	02-465545	02-465552

TABLE 4

MODEL CODE CENTER SECTION	* ● CARTRIDGE KIT (BUNA-N)	* ● CARTRIDGE KIT (VITON [®])
VMQ3352525S***-010-***	02-465574	02-465589
VMQ3352525S***-016-***	02-465575	02-465570
VMQ3352525S***-020-***	02-465576	02-465571
VMQ3352525S***-025-***	02-465578	02-465572
VMQ3352525S***-032-***	02-465577	02-465573
VMQ3352525S***-040-***	02-348974	02-348981
VMQ3352525S***-045-***	02-348975	02-348982
VMQ3352525S***-050-***	02-348976	02-348983
VMQ3352525S***-063-***	02-348977	02-348984
VMQ3352525S***-071-***	02-348978	02-348985
VMQ3352525S***-080-***	02-348979	02-348986
VMQ3352525S***-090-***	02-348980	02-348987

TABLE 5

MODEL CODE SHAFT END	* ● CARTRIDGE KIT (BUNA-N)	* ● CARTRIDGE KIT (VITON [®])
VMQ3352525S-90-***-***	02-346986	02-346987
VMQ3352525S-100-***-***	02-346984	02-346985
VMQ3352525S-112-***-***	02-346982	02-346983
VMQ3352525S-125-***-***	02-346980	02-346981
VMQ3352525S-135-***-***	02-346978	02-346979
VMQ3352525S-140-***-***	02-348374	02-348376
VMQ3352525S-158-***-***	02-348181	02-348180

Model Code

VMQ3 ** ** 25 *** *** *** * ** * * * * * * * * * * 00 * 0 32

1 2 3 4 5 6 7 8 9 10 11 12 13 14 15 16 17 18 19 20 21 22 23 24 25 26 27 28 29 30 31 32 33 34 35

1 2 3 4 Series designation
VMQ3 – Vane pump triple series

5 6 Frame size (front section)
35 – 90-158 cm ³/_r (5.49-9.64 in ³/_r)

7 8 Frame size (middle section)
25 – 10-90 cm ³/_r (0.62-5.49 in ³/_r)

9 10 Frame size (rear section)
25 – 10-90 cm ³/_r (0.62-5.49 in ³/_r)

11 12 13 Displacement (front section)
Frame size 35
090 – 90 cm ³/_r (5.49 in ³/_r)
100 – 100 cm ³/_r (6.10 in ³/_r)
112 – 112 cm ³/_r (6.83 in ³/_r)
125 – 125 cm ³/_r (7.63 in ³/_r)
135 – 135 cm ³/_r (8.24 in ³/_r)
140 – 140 cm ³/_r (8.54 in ³/_r)
158 – 158 cm ³/_r (9.64 in ³/_r)

14 15 16 Displacement (middle section)
Frame size 25
010 – 10 cm ³/_r (0.62 in ³/_r)
016 – 16 cm ³/_r (0.98 in ³/_r)
020 – 20 cm ³/_r (1.23 in ³/_r)
025 – 25 cm ³/_r (1.58 in ³/_r)
032 – 32 cm ³/_r (1.96 in ³/_r)
040 – 40 cm ³/_r (2.44 in ³/_r)
045 – 45 cm ³/_r (2.75 in ³/_r)
050 – 50 cm ³/_r (3.05 in ³/_r)
063 – 63 cm ³/_r (3.84 in ³/_r)
071 – 71 cm ³/_r (4.33 in ³/_r)
080 – 80 cm ³/_r (4.88 in ³/_r)
090 – 90 cm ³/_r (5.49 in ³/_r)

17 18 19 Displacement (rear section)
Frame size 25
010 – 10 cm ³/_r (0.62 in ³/_r)
016 – 16 cm ³/_r (0.98 in ³/_r)
020 – 20 cm ³/_r (1.23 in ³/_r)
025 – 25 cm ³/_r (1.58 in ³/_r)
032 – 32 cm ³/_r (1.96 in ³/_r)
040 – 40 cm ³/_r (2.44 in ³/_r)
045 – 45 cm ³/_r (2.75 in ³/_r)
050 – 50 cm ³/_r (3.05 in ³/_r)
063 – 63 cm ³/_r (3.84 in ³/_r)
071 – 71 cm ³/_r (4.33 in ³/_r)
080 – 80 cm ³/_r (4.88 in ³/_r)
090 – 90 cm ³/_r (5.49 in ³/_r)

20 Front flange mounting style
A – SAE C 2-bolt SAE J744 127-2 127,00 (5.000) x 12,4 (0.49) pilot 17,6 (0.69) slots on 181,0 (7.13) bolt circle
B – ISO 3019/2 125A2HW 2-bolt 125,00 (4.921) x 9,2 (0.36) pilot 18,1 (0.71) slots on 180,0 (7.09) bolt circle

21 22 Input shaft type*
01 – SAE J744 keyed Frame size 35: 31,75 (1.250)
02 – SAE J744 splined Frame size 35: C
03 – ISO 3019/2 keyed Frame size 35: 32,00 (1.260)
05 – SAE J744 keyed Frame size 35: 38,10 (1.500)
06 – SAE J744 splined Frame size 35: C-C
07 – ISO 3019/2 keyed Frame size 35: 40,00 (1.575)

23 Port type
A – Inlet: SAE J518 4-bolt flange
Front outlet: SAE J518 4-bolt flange
Middle outlet: SAE J518 4-bolt flange
Rear outlet: SAE J518 4-bolt flange
B – Inlet: ISO 6162 4-bolt flange
Front outlet: ISO 6162 4-bolt flange
Middle outlet: ISO 6162 4-bolt flange
Rear outlet: ISO 6162 4-bolt flange

24 Front outlet port position
Viewed from cover end of pump
A – Opposite inlet port
B – 90° CCW to inlet port
C – In-line with inlet port
D – 90° CW to inlet port

25 Middle outlet port position
Viewed from cover end of pump
A – Opposite inlet port
B – 90° CCW to inlet port
C – In-line with inlet port
D – 90° CW to inlet port

26 Rear outlet port position
Viewed from cover end of pump
352525 units
A – 135° CCW to inlet port
B – 45° CCW to inlet port
C – 45° CW to inlet port
D – 135° CW to inlet port

27 Shaft seal
A – Single, primary
B – Double, secondary (spring side out) Recommended for wet mount applications

28 Seal type
N – Buna N
V – Viton
W – Buna N with Viton shaft seal(s)

29 Shaft rotation
Viewed from shaft end of pump
L – Left hand (CCW)
R – Right hand (CW)

30 31 Special features
00 – None

32 Paint
0 – None
A – Blue

33 Customer identification
0 – None

34 35 Design code
32 – 32 design
Installation dimensions remain unchanged for design numbers 31 to 39 inclusive.

* Verify shaft torque ratings meet or exceed input torque requirements

Notes

Eaton
14615 Lone Oak Road
Eden Prairie, MN 55344
USA
Tel: 952 937-9800
Fax: 952 974-7722
www.hydraulics.eaton.com

Eaton
20 Rosamond Road
Footscray
Victoria 3011
Australia
Tel: (61) 3 9319 8222
Fax: (61) 3 9318 5714

Eaton
Dr.-Reckeweg-Str. 1
D-76532 Baden-Baden
Germany
Tel: (49) 7221 682-0
Fax: (49) 7221 682-788

VICKERS[®]

EATON

Vickers

© 2003 Eaton Corporation
All rights reserved
Printed in USA
Document No. V-PUVN-TP012-E
June 2003 1M