

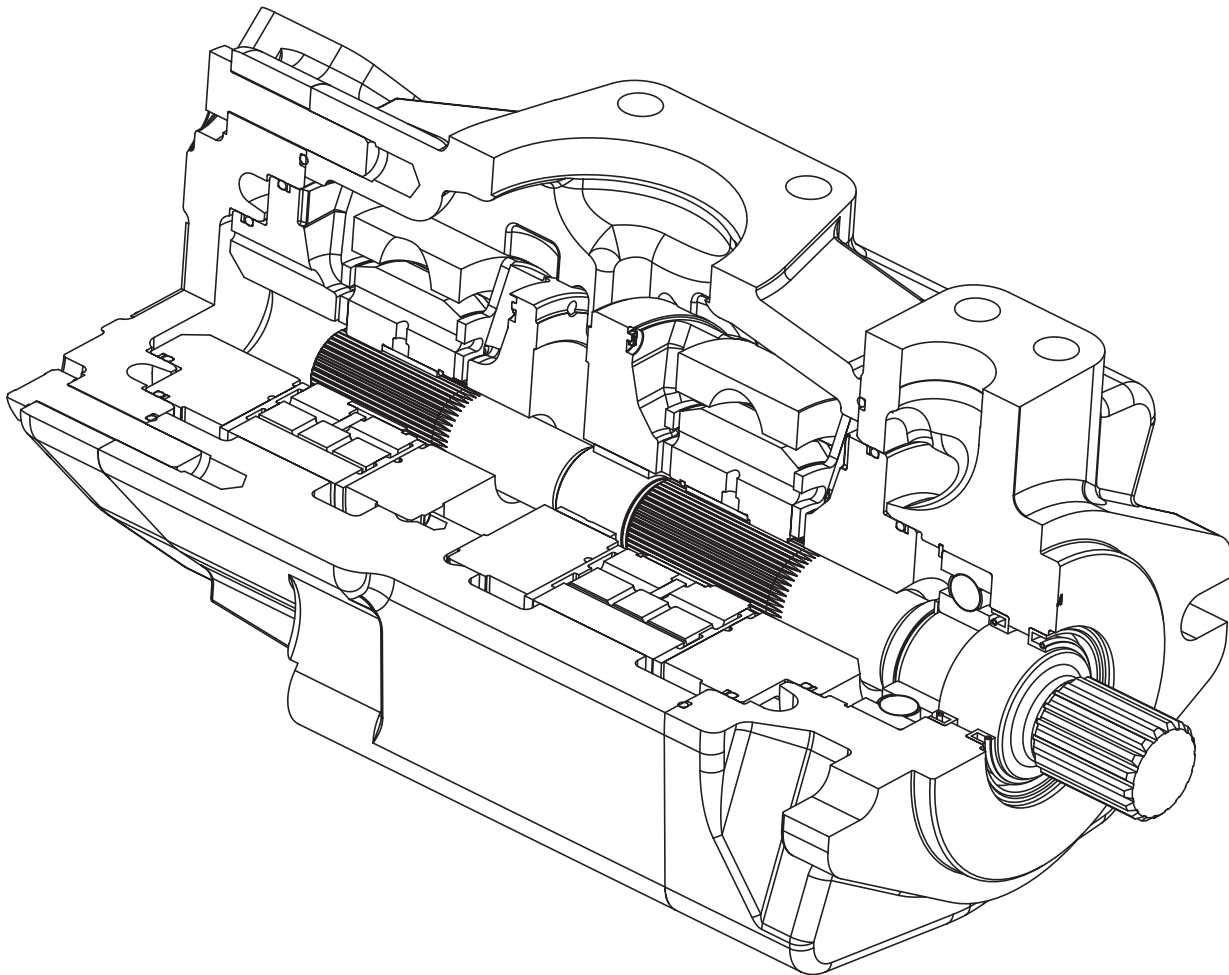
EAT•N

Vickers

**High Pressure, High Performance
Double Vane Pumps**

Parts Data

VMQ22525S Series
- 32 Design



VICKERS[®]

High Pressure, High Performance Double Vane Pump VMQ22525S Series — 32 Design

Note: Lubricate all parts and seals with a thin coat of oil at assembly.

- Included in Cartridge Kit (see table)
- ▲ Included in 02-334552 Buna-N Seal Kit, Single Shaft Seal or 02-334553 Viton® Seal Kit, Single Shaft Seal.
- △ Included in 02-334635 Buna-N Seal Kit, Double Shaft Seal or 02-334636 Viton® Seal Kit, Double Shaft Seal.
- * With double and triple pumps, the orientation of the kits is such that the kit rotation is a reverse of the pump rotation. See tables X1 and X2 for the correct kit rotation relative to the pump rotation.

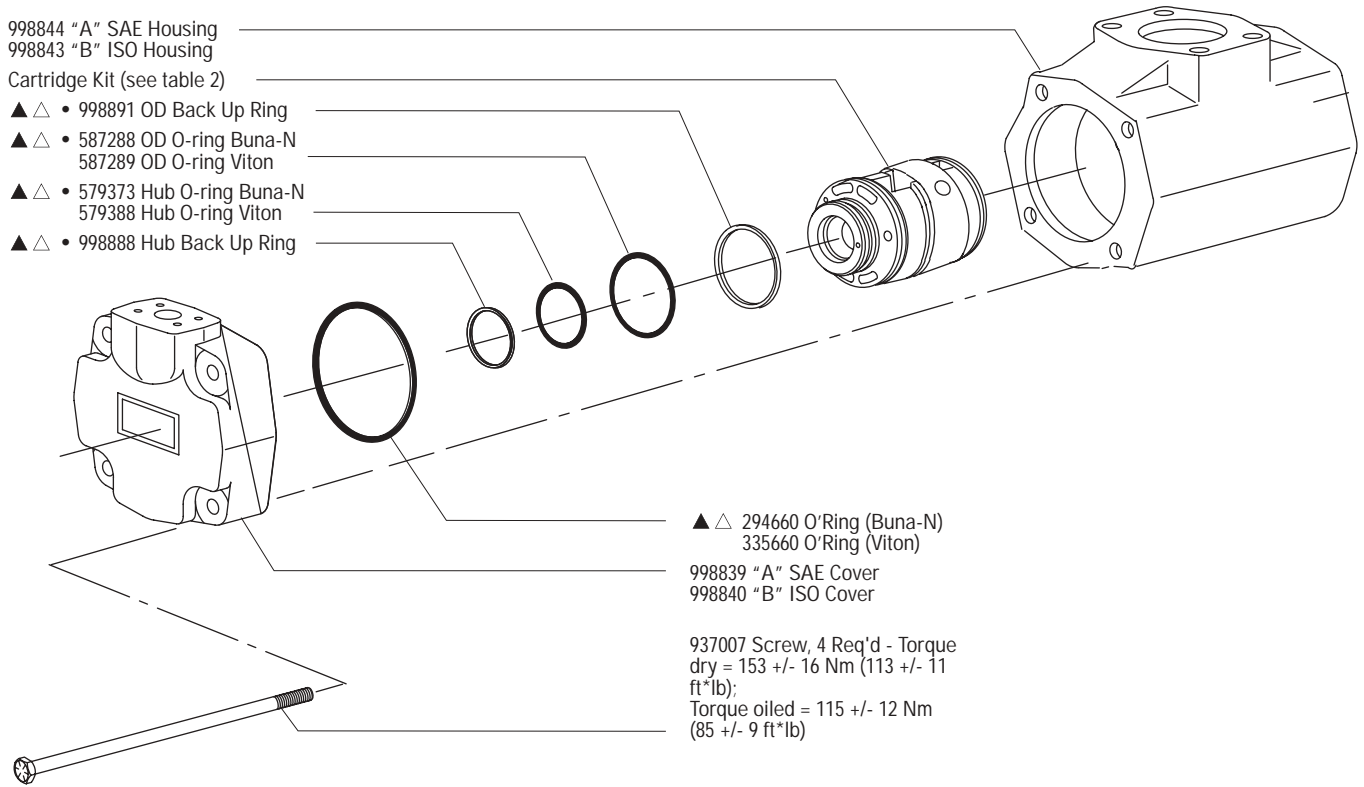


TABLE X1

Cartridge Kit Rotation for Right Hand Rotation Pump

R= Right Hand Rotation		L=Left Hand Rotation	
PUMP ROTATION	SHAFT END KIT ROTATION	CENTER KIT ROTATION	COVER END KIT ROTATION
Double (R)	(R)	-	(L)

*Notes: - A right hand rotation pump has the shaft turning clockwise when viewed from the input shaft end
 - When ordering a right hand rotation kit, the part number will not have a suffix

TABLE X2

Cartridge Kit Rotation for Left Hand Rotation Pump

R= Right Hand Rotation		L=Left Hand Rotation	
PUMP ROTATION	SHAFT END KIT ROTATION	CENTER KIT ROTATION	COVER END KIT ROTATION
Double (L)	(L)	-	(R)

*Notes: - A left hand rotation pump has the shaft turning counterclockwise when viewed from the input shaft end
 - When ordering a left hand rotation kit, the part number will have a suffix of '-L'

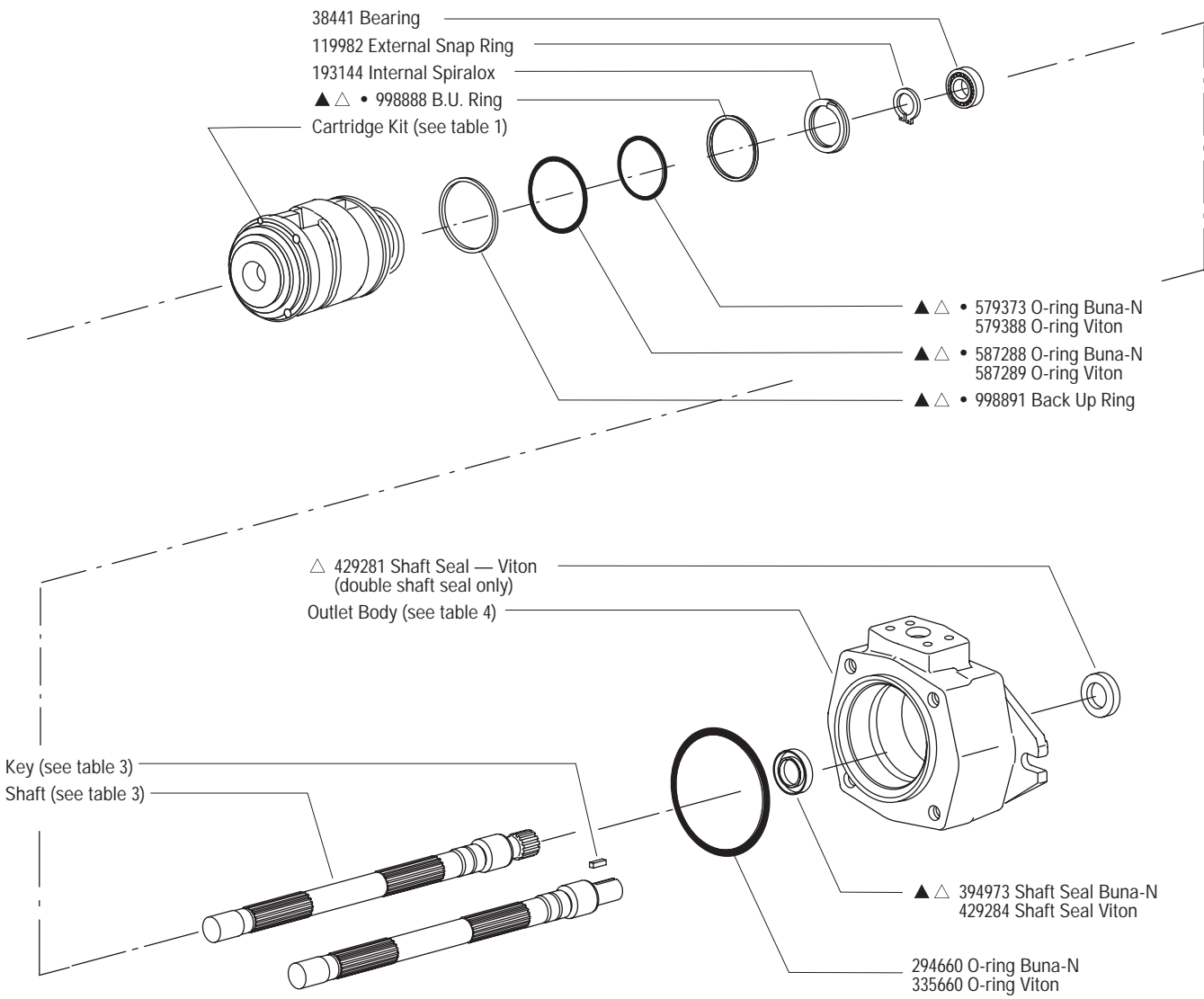


TABLE 1

MODEL CODE SHAFT END	* • CARTRIDGE KIT (BUNA-N)	* • CARTRIDGE KIT (VITON®)
VMQ22525S010***	02-465574	02-465569
VMQ22525S016***	02-465575	02-465570
VMQ22525S020***	02-465576	02-465571
VMQ22525S025***	02-465578	02-465572
VMQ22525S032***	02-465577	02-465573
VMQ22525S040***	02-348974	02-348981
VMQ22525S045***	02-348975	02-348982
VMQ22525S050***	02-348976	02-348983
VMQ22525S063***	02-348977	02-348984
VMQ22525S071***	02-348978	02-348985
VMQ22525S080***	02-348979	02-348986
VMQ22525S090***	02-348980	02-348987

Viton® is a registered trademark of E.I. Dupont Co.

TABLE 2

MODEL CODE COVER END	* • CARTRIDGE KIT (BUNA-N)	* • CARTRIDGE KIT (VITON®)
VMQ22525S***010	02-465564	02-465563
VMQ22525S***016	02-465565	02-465562
VMQ22525S***020	02-465566	02-465561
VMQ22525S***025	02-465567	02-465560
VMQ22525S***032	02-465568	02-465559
VMQ22525S***040	02-465551	02-465558
VMQ22525S***045	02-465550	02-465557
VMQ22525S***050	02-465549	02-465555
VMQ22525S***063	02-465548	02-465556
VMQ22525S***071	02-465547	02-465553
VMQ22525S***080	02-465546	02-465554
VMQ22525S***090	02-465545	02-465552

TABLE 3

MODEL CODE	SHAFT	KEY
VMQ22525S-***-***-**-01	932950	928540
VMQ22525S-***-***-**-02	932936	—
VMQ22525S-***-***-**-03	932951	928545
VMQ22525S-***-***-**-04	932952	928563
VMQ22525S-***-***-**-05	932953	928541
VMQ22525S-***-***-**-06	932954	—
VMQ22525S-***-***-**-07	932955	928546
VMQ22525S-***-***-**-08	932956	928564
VMQ22525S-***-***-**-09	943997	—
VMQ22525S-***-***-**-10	944259	—

TABLE 4

Flange Mounting Style	Single Shaft Seal		Double Shaft Seal	
	Inch Port Threads	Metric Port Threads	Inch Port Threads	Metric Port Threads
SAE B	998600	998602	998601	998603
ISO 100	—	998604	—	998605

Model Code

VMQ2 ** ** S *** *** * O ** OO * * * * * * * * OO * O 32

1 2 3 4 5 6 7 8 9 10 11 12 13 14 15 16 17 18 19 20 21 22 23 24 25 26 27 28 29 30 31 32 33 34 35

1 2 3 4 Series designation
VMQ2 – Vane pump double series

5 6 Frame size (front section)
25 – 10-90 cm³/r
(0.62-5.49 in³/r)

7 8 Frame size (rear section)
25 – 10-90 cm³/r
(0.62-5.49 in³/r)

9 Pump type
S – Standard

10 11 12 Displacement (front section)

Frame size 25
010 – 10 cm³/r (0.62 in³/r)
016 – 16 cm³/r (0.98 in³/r)
020 – 20 cm³/r (1.23 in³/r)
025 – 25 cm³/r (1.58 in³/r)
032 – 32 cm³/r (1.96 in³/r)
040 – 40 cm³/r (2.44 in³/r)
045 – 45 cm³/r (2.75 in³/r)
050 – 50 cm³/r (3.05 in³/r)
063 – 63 cm³/r (3.84 in³/r)
071 – 71 cm³/r (4.33 in³/r)
080 – 80 cm³/r (4.88 in³/r)
090 – 90 cm³/r (5.49 in³/r)

13 14 15 Displacement (rear section)

Frame size 25
010 – 10 cm³/r (0.62 in³/r)
016 – 16 cm³/r (0.98 in³/r)
020 – 20 cm³/r (1.23 in³/r)
025 – 25 cm³/r (1.58 in³/r)
032 – 32 cm³/r (1.96 in³/r)
040 – 40 cm³/r (2.44 in³/r)
045 – 45 cm³/r (2.75 in³/r)
050 – 50 cm³/r (3.05 in³/r)
063 – 63 cm³/r (3.84 in³/r)
071 – 71 cm³/r (4.33 in³/r)
080 – 80 cm³/r (4.88 in³/r)
090 – 90 cm³/r (5.49 in³/r)

16 Front flange mounting style
A – SAE B 2-bolt
101,60 (4.000) x 9,4
(0.37) pilot
14,4 (0.57) slots on
146,0 (5.75) bolt circle
C – ISO 3019/2 100A2HW
2-bolt
100,00 (3.937) x 9,2
(0.36) pilot
14,1 (0.56) slots on
140,0 (5.51) bolt circle

17 Adapter flange
0 – None (standard double pump)

18 19 Input shaft type*
01 – SAE J744 keyed
Frame size 25:
25,40 (1.000)
02 – SAE J744 splined
Frame size 25: B-B
03 – ISO 3019/2 keyed
Frame size 25:
25,00 (0.984)
05 – SAE J744 keyed
Frame size 25:
31,75 (1.250)
06 – SAE J744 splined
Frame size 25: C
07 – ISO 3019/2 keyed
Frame size 25:
32,00 (1.260)

20 21 Output shaft coupling
00 – None (standard double pump)

22 Inlet port type
A – SAE J518 4-split flange
B – ISO 6162 4-bolt flange

23 Front outlet port type
A – SAE J518 4-bolt flange
B – ISO 6162 4-bolt flange

24 Rear outlet port type
A – SAE J518 4-bolt flange
B – ISO 6162 4-bolt flange

25 Front outlet port position
Viewed from cover end of pump
A – Opposite inlet port
B – 90° CCW to inlet port
C – In-Line with front inlet port
D – 90° CW to inlet port

26 Rear outlet port position
Viewed from cover end of pump
E – Opposite inlet port
F – 90° CCW to inlet port
G – In-line with inlet port
H – 90° CW to inlet port

27 Shaft Seal
A – Single, primary
B – Double, secondary (spring side out)
Recommended for wet mount applications

28 Seal Type
N – Buna-N
V – Viton
W – Buna-N with Viton shaft seal(s)

29 Shaft rotation
Viewed from shaft end of pump
L – Left Hand (CCW)
R – Right Hand (CW)

30 31 Special features
00 – None

32 Paint
O – None
A – Blue

33 Customer identification
O – None

34 35 Design code
32 – 32 design
Installation dimensions remain unchanged for design numbers 30 to 39 inclusive.

* Verify shaft torque ratings meet or exceed input torque requirements

Eaton
14615 Lone Oak Road
Eden Prairie, MN 55344
USA
Tel: 952 937-9800
Fax: 952 974-7722
www.hydraulics.eaton.com

Eaton
20 Rosamond Road
Footscray
Victoria 3011
Australia
Tel: (61) 3 9319 8222
Fax: (61) 3 9318 5714

Eaton
Dr.-Reckeweg-Str. 1
D-76532 Baden-Baden
Germany
Tel: (49) 7221 682-0
Fax: (49) 7221 682-788

VICKERS®

EATON

Vickers

© 2003 Eaton Corporation
All rights reserved
Printed in USA
Document No. V-PUVN-TP007-E
June 2003 1M