

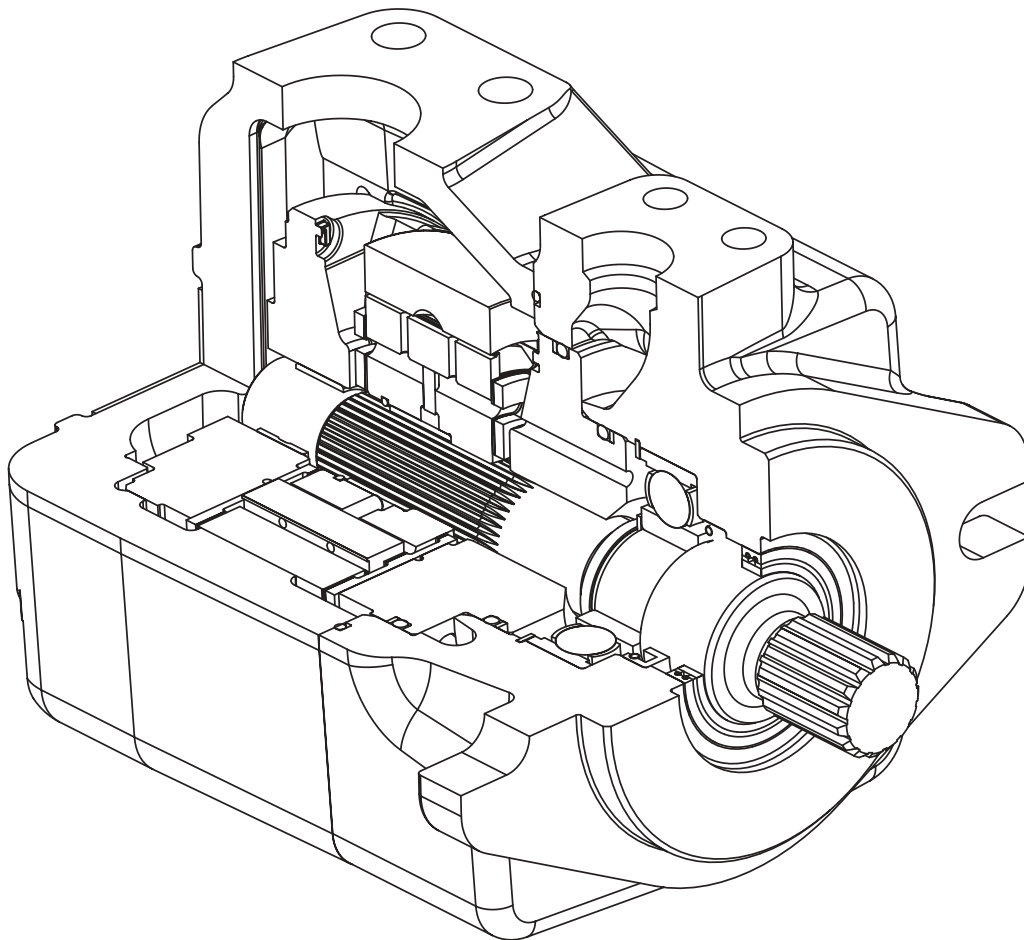
EATON

Vickers

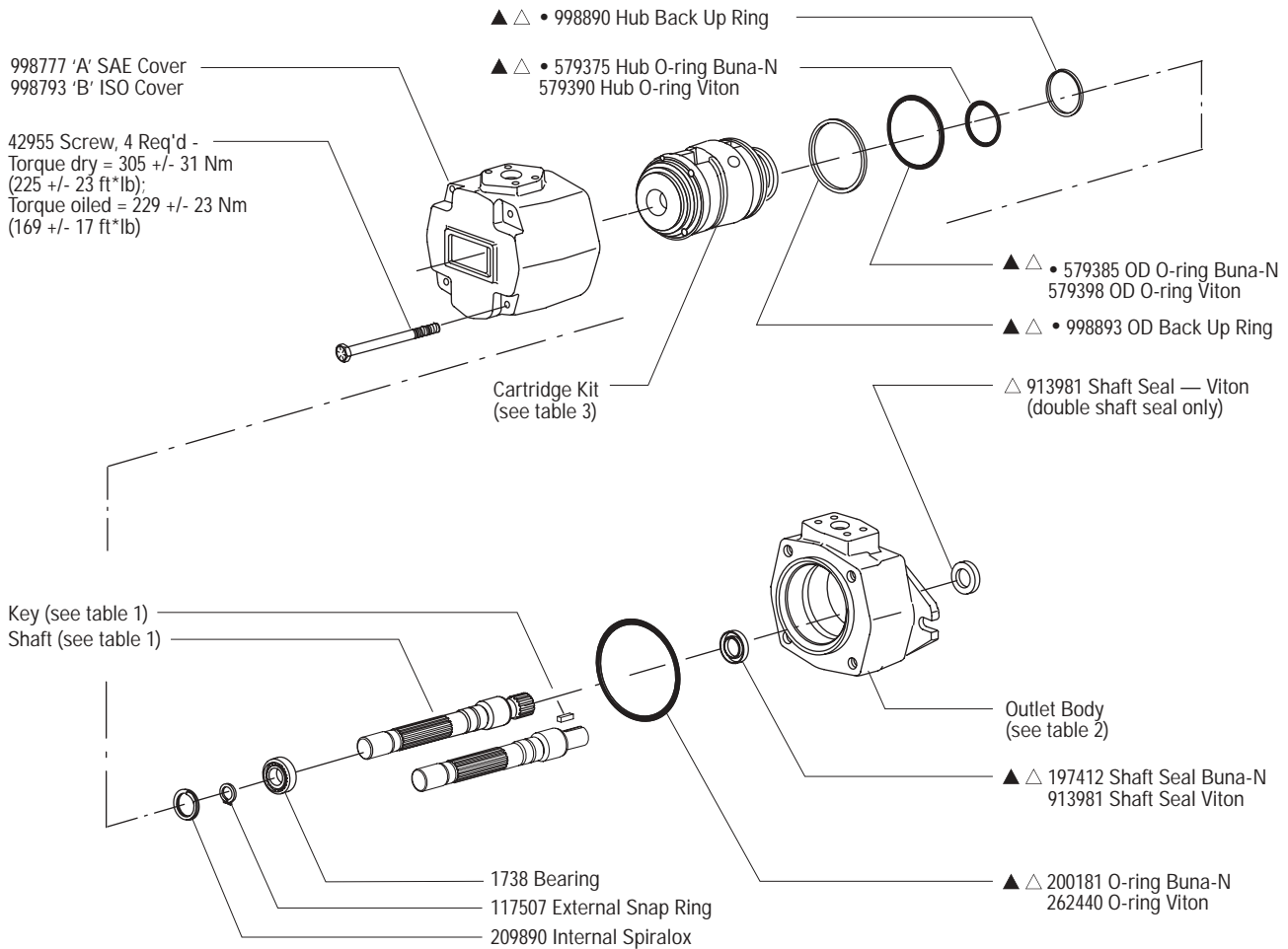
**High Pressure, High Performance
Vane Pumps**

Parts Data

VMQ145S Series
- 32 Design



VICKERS[®]



Note: Lubricate all parts and seals with a thin coat of oil at assembly.

- Included in Cartridge Kit (see table)
- ▲ Included in 02-334558 Buna-N Seal Kit, Single Shaft Seal or 02-334559 Viton® Seal Kit, Single Shaft Seal.
- △ Included in 02-334641 Buna-N Seal Kit, Double Shaft Seal or 02-334642 Viton® Seal Kit, Double Shaft Seal.
- * See Table X1 and X2 for Kit Rotation Information

TABLE X1

Cartridge Kit Rotation for Right Hand Rotation Pump

PUMP ROTATION	R= Right Hand Rotation		L=Left Hand Rotation	
	SHAFT END KIT ROTATION	CENTER KIT ROTATION	COVER END KIT ROTATION	CENTER KIT ROTATION
Single & Thru (R)	(R)	-	-	-

*Notes: - A right hand rotation pump has the shaft turning clockwise when viewed from the input shaft end
- When ordering a right hand rotation kit, the part number will not have a suffix

TABLE X2

Cartridge Kit Rotation for Left Hand Rotation Pump

PUMP ROTATION	R= Right Hand Rotation		L=Left Hand Rotation	
	SHAFT END KIT ROTATION	CENTER KIT ROTATION	COVER END KIT ROTATION	CENTER KIT ROTATION
Single & Thru (L)	(L)	-	-	-

*Notes: - A left hand rotation pump has the shaft turning counter-clockwise when viewed from the input shaft end
- When ordering a left hand rotation kit, the part number will have a suffix of '-L'

TABLE 1

MODEL CODE	30TH DESIGN SHAFT	31ST & 32ND DESIGN SHAFT	KEY
VMQ145S-*.***.*-01	934203	4993353-001	928542
VMQ145S-*.***.*-02	934204	4993354-001	—
VMQ145S-*.***.*-03	934205	4993355-001	928547
VMQ145S-*.***.*-04	—	—	928565
VMQ145S-*.***.*-05	934206	4993356-001	928543
VMQ145S-*.***.*-06	934207	4993357-001	—
VMQ145S-*.***.*-09	937224	4993373-001	—

TABLE 2

OUTLET BODY				
Flange Mounting Style	Single Shaft Seal Inch Port Threads	Metric Port Threads	Double Shaft Seal Inch Port Threads	Metric Port Threads
SAE C	4993341-001	4993342-001	4993343-001	4993344-001
ISO 125	—	4993346-001	—	4993345-001

TABLE 3

MODEL CODE	* • CARTRIDGE KIT (BUNA-N)	* • CARTRIDGE KIT (VITON®)
VMQ145*140	02-346970	02-346971
VMQ145*160	02-346968	02-346969
VMQ145*180	02-346966	02-346967
VMQ145*195	02-346964	02-346965
VMQ145*215	02-346962	02-346963

Viton® is a registered trademark of E.I. Dupont Co.

Model Code

VMQ1 ** * *** * * ** ** * * * * * * * * OO * O 32

1 2 3 4
5 6
7
8 9 10
11
12
13 14
15 16
17
18
19
20
21
22
23 24
25
26
27 28

1 2 3 4 Series designation
 VMQ1 – Vane pump single series

5 6 Frame size
 45 – 140-215 cm³/r (8.54-13.12 in³/r)

7 Pump type
 S – Single

8 9 10 Displacement
 Frame size 45
 140 – 140 cm³/r (8.54 in³/r)
 160 – 160 cm³/r (9.76 in³/r)
 180 – 180 cm³/r (10.98 in³/r)
 195 – 195 cm³/r (11.89 in³/r)
 215 – 215 cm³/r (13.12 in³/r)

11 Front flange mounting style
 B – SAE C 2-bolt
 127,00 (5.000) x 12,4 (0.49) pilot
 17,6 (0.69) slots on
 181,0 (7.13) bolt circle
 D – ISO 3019/2 125A2HW 2-bolt
 125,00 (4.921) x 9,2 (0.36) pilot
 18,1 (0.71) slots on
 180,0 (7.09) bolt circle

12 Rear mounting flange and orientation
 0 – None (non thru-drive)

13 14 Input shaft type*
 01 – SAE J744 keyed
 Frame size 45:
 38,10 (1.500)
 02 – SAE J744 splined
 Frame size 45: C-C
 03 – ISO 3019/2 keyed
 Frame size 45:
 40,00 (1.575)
 05 – SAE J744 keyed
 Frame size 45:
 44,45 (1.750)
 06 – SAE J744 splined
 Frame size 45: D
 09 – SAE J744 splined
 Frame size 45: C

15 16 Output shaft coupling
 00 – None (non thru-drive)

17 Inlet port type
 A – SAE J518 4-bolt split flange
 B – ISO 6162 4-bolt split flange

18 Outlet port type
 A – SAE J518 4-bolt flange
 B – ISO 6162 4-bolt flange

19 Outlet port position
 Viewed from cover end of pump
 A – Opposite inlet port
 B – 90° CCW to inlet port
 C – In-line with inlet port
 D – 90° CW to inlet port

20 Shaft seal
 A – Single, primary
 B – Double, secondary (spring side out)
 Recommended for wet mount applications

21 Seal type
 N – Buna N
 V – Viton
 W – Buna N with Viton shaft seal(s)

22 Shaft rotation
 Viewed from shaft end of pump
 L – Left hand (CCW)
 R – Right hand (CW)

23 24 Special features
 00 – None

25 Paint
 0 – None
 A – Blue

26 Customer identification
 0 – None

27 28 Design code
 32 – 32 design
 Installation dimensions remain unchanged for design numbers 30 to 39 inclusive.

* Verify shaft torque ratings meet or exceed input torque requirements

Eaton
14615 Lone Oak Road
Eden Prairie, MN 55344
USA
Tel: 952 937-9800
Fax: 952 974-7722
www.hydraulics.eaton.com

Eaton
20 Rosamond Road
Footscray
Victoria 3011
Australia
Tel: (61) 3 9319 8222
Fax: (61) 3 9318 5714

Eaton
Dr.-Reckeweg-Str. 1
D-76532 Baden-Baden
Germany
Tel: (49) 7221 682-0
Fax: (49) 7221 682-788

VICKERS[®]

EATON

Vickers

© 2003 Eaton Corporation
All rights reserved
Printed in USA
Document No. V-PUVN-TP004-E
June 2003 1M