

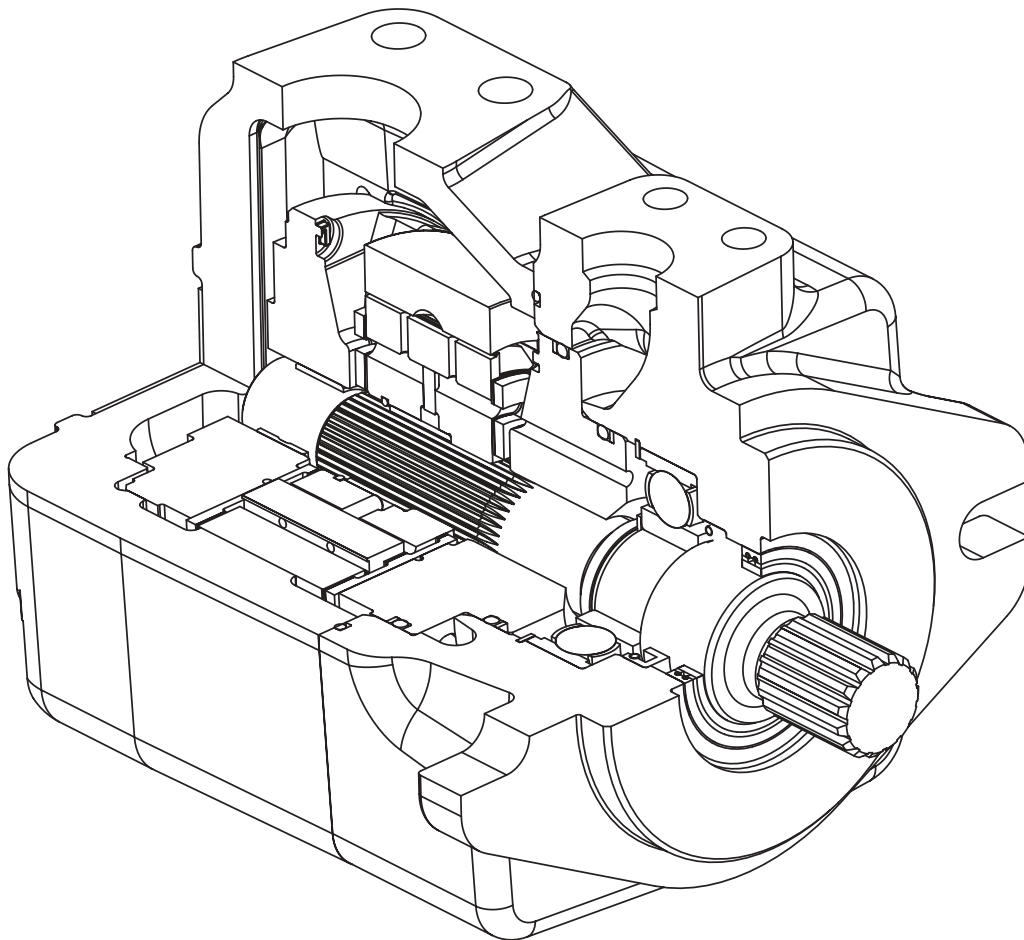
EAT•N

Vickers

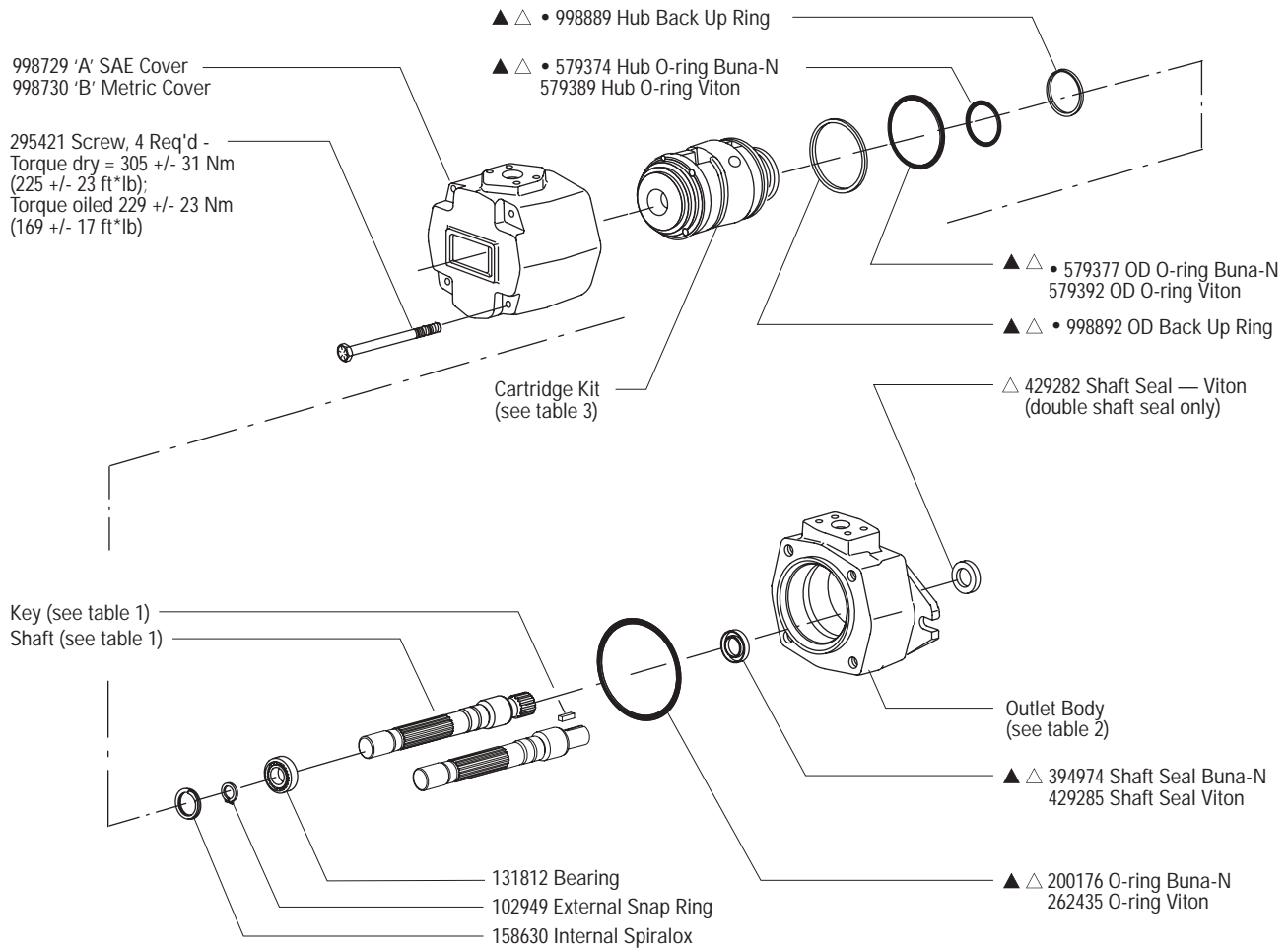
**High Pressure, High Performance
Vane Pumps**

Parts Data

VMQ135S Series
- 32 Design



VICKERS[®]



Note: Lubricate all parts and seals with a thin coat of oil at assembly.

- Included in Cartridge Kit (see table)
- ▲ Included in 02-334554 STD Seal Kit, Single Shaft Seal or 02-334555 Viton® Seal Kit, Single Shaft Seal.
- △ Included in 02-334637 STD Seal Kit, Double Shaft Seal or 02-334638 Viton® Seal Kit, Double Shaft Seal.
- * See Table X1 and X2 for Kit Rotation Information

TABLE X1

Cartridge Kit Rotation for Right Hand Rotation Pump

PUMP ROTATION	R= Right Hand Rotation		L=Left Hand Rotation	
	SHAFT END KIT ROTATION	CENTER KIT ROTATION	COVER END KIT ROTATION	
Single & Thru (R)	(R)	-	-	

- *Notes:
- A right hand rotation pump has the shaft turning clockwise when viewed from the input shaft end
 - When ordering a right hand rotation kit, the part number will not have a suffix

TABLE X2

Cartridge Kit Rotation for Left Hand Rotation Pump

PUMP ROTATION	R= Right Hand Rotation		L=Left Hand Rotation	
	SHAFT END KIT ROTATION	CENTER KIT ROTATION	COVER END KIT ROTATION	
Single & Thru (L)	(L)	-	-	

- *Notes:
- A left hand rotation pump has the shaft turning counterclockwise when viewed from the input shaft end
 - When ordering a left hand rotation kit, the part number will have a suffix of '-L'

TABLE 1

MODEL CODE	SHAFT	KEY
VMQ135S-*-*-*-01	933029	928541
VMQ135S-*-*-*-02	933030	—
VMQ135S-*-*-*-03	933031	928546
VMQ135S-*-*-*-04	933032	928564
VMQ135S-*-*-*-05	933033	928542
VMQ135S-*-*-*-06	933034	—
VMQ135S-*-*-*-07	933035	928547
VMQ135S-*-*-*-08	933036	928565

TABLE 2

OUTLET BODY

Flange Mounting Style	Single Shaft Seal		Double Shaft Seal	
	Inch Port Threads	Metric Port Threads	Inch Port Threads	Metric Port Threads
SAE C	998732	998734	998733	998735
ISO 125	—	998736	—	998737

TABLE 3

MODEL CODE	* • CARTRIDGE KIT (BUNA-N)	* • CARTRIDGE KIT (VITON®)
VMQ135*090	02-346986	02-346987
VMQ135*100	02-346984	02-346985
VMQ135*112	02-346982	02-346983
VMQ135*125	02-346980	02-346981
VMQ135*135	02-346978	02-346979
VMQ135*140	02-348374	02-348376
VMQ135*158	02-348181	02-348180

Viton® is a registered trademark of E.I. Dupont Co.

Model Code

VMQ1 ** * *** * * ** ** * * * * * * * * 00 * 0 32

1 2 3 4
5 6
7
8 9 10
11
12
13 14
15 16
17
18
19
20
21
22
23 24
25
26
27 28

1 2 3 4 Series designation

VMQ1 – Vane pump single series

5 6 Frame size

35 – 90-158 cm³/r
(5.49-9.64 in³/r)

7 Pump type

S – Single

8 9 10 Displacement

Frame size 35
 090 – 90 cm³/r (5.49 in³/r)
 100 – 100 cm³/r (6.10 in³/r)
 112 – 112 cm³/r (6.83 in³/r)
 125 – 125 cm³/r (7.63 in³/r)
 135 – 135 cm³/r (8.24 in³/r)
 140 – 140 cm³/r (8.54 in³/r)
 158 – 158 cm³/r (9.64 in³/r)

11 Front flange mounting style

B – SAE C 2-bolt
 127,00 (5.000) x 12,4
 (0.49) pilot
 17,6 (0.69) slots on
 181,0 (7.13) bolt circle
 D – ISO 3019/2 125A2HW
 2-bolt
 125,00 (4.921) x 9,2
 (0.36) pilot
 18,1 (0.71) slots on
 180,0 (7.09) bolt circle

12 Rear mounting flange and orientation

0 – None (non thru-drive)

13 14 Input shaft type*

01 – Frame size 35:
 31,75 (1.250)
 02 – SAE J744 splined
 Frame size 35: C
 03 – ISO 3019/2 keyed
 Frame size 35:
 32,00 (1.260)
 05 – SAE J744 keyed
 Frame size 35:
 38,10 (1.500)
 06 – SAE J744 splined
 Frame size 35: C-C
 07 – ISO 3019/2 keyed
 Frame size 35: 40,00 (1.575)

15 16 Output shaft coupling

00 – None (non thru-drive)

17 Inlet port type

A – SAE J518 4-bolt split
 flange
 B – ISO 6162 4-bolt split
 flange

18 Outlet port type

A – SAE J518 4-bolt flange
 B – ISO 6162 4-bolt flange

19 Outlet port position

Viewed from cover end of
 pump
 A – Opposite inlet port
 B – 90° CCW to inlet port
 C – In-line with inlet port
 D – 90° CW to inlet port

20 Shaft seal

A – Single, primary
 B – Double, secondary
 (spring side out)
 Recommended for wet
 mount applications

21 Seal type

N – Buna N
 V – Viton
 W – Buna N with Viton shaft
 seal(s)

22 Shaft rotation

Viewed from shaft end
 of pump
 L – Left hand (CCW)
 R – Right hand (CW)

23 24 Special features

00 – None

25 Paint

0 – None
 A – Blue

26 Customer identification

0 – None

27 28 Design code

32 – 32 design
 Installation dimensions
 remain unchanged for
 design numbers 30 to 39
 inclusive.

* Verify shaft torque ratings meet or exceed input torque requirements

Eaton
14615 Lone Oak Road
Eden Prairie, MN 55344
USA
Tel: 952 937-9800
Fax: 952 974-7722
www.hydraulics.eaton.com

Eaton
20 Rosamond Road
Footscray
Victoria 3011
Australia
Tel: (61) 3 9319 8222
Fax: (61) 3 9318 5714

Eaton
Dr.-Reckeweg-Str. 1
D-76532 Baden-Baden
Germany
Tel: (49) 7221 682-0
Fax: (49) 7221 682-788

VICKERS[®]

EATON

Vickers

© 2003 Eaton Corporation
All rights reserved
Printed in USA
Document No. V-PUVN-TP003-E
June 2003 1M